

Ustorm II16

A disruptive product for DOOH market



Main Technical Specifications:

| Parameter | Value | | |
|-------------------------------------|---|--------------------|---------------------|
| Pixel Pitch | 16.7mm | | |
| LED Type | DIP346 | | |
| LED Configuration | 1Red,1Green,1Blue | | |
| Brightness(Uncalibrated/Calibrated) | 9411cd/m ² / 8000cd/m ² | | |
| Module Size | W400mmxH200mm | | |
| Cabinet Size | 1200x800x126 | 1200x1000x126 | 1200x1200x126 |
| Weight | 32 kg/panel | 42.5 kg/panel | 49 kg/panel |
| Area | 0.96 m ² | 1.2 m ² | 1.44 m ² |
| Pixels Per Panel | 72x48 Dots | 72x60 Dots | 72x72 Dots |
| Aspect Ratio | 3:2 | 6:5 | 1:1 |
| Pixel Density | 3600 Pixels /m ² | | |
| Recommended Viewing Distance | 16.7 m | | |
| Material | Aluminum | | |
| Environment | Outdoor | | |
| Ingress Protection | IP65/IP54 | | |
| Operating Temperature/Humidity | -20°C~+50°C/10~90%RH | | |
| Storage Temperature/Humidity | -30°C~+60°C/10~95%RH | | |
| Maintenance | Front and Rear | | |
| Gap Between Modules | Seamless | | |
| Bezel Width | None | | |
| Horizontal Viewing Angle | +/-70° | | |
| Vertical Viewing Angle | +/-30° | | |

| | |
|---|--|
| Surface Evenness | ≤1mm |
| Color Temperature | 2000-9300K Adjustable |
| Chroma Uniformity | ±0.003Cx,Cy |
| Luminance Uniformity | ≥98% |
| Color Processing | 14 bits |
| Brightness Control | Manual/Automatic |
| Contrast Ratio | 3000:1 |
| Input Power <Max> | 470W/ m ² |
| Input Power <Typical> | 160W/ m ² |
| Driving Method | Constant Current Drive |
| Video Frame Rate | 50/60 Hz |
| Rate Refresh | 1920 Hz |
| Input Voltage | 100~240VAC |
| Input Power Frequency | 47~63 Hz |
| Input Signal | DVI/HDMI/VGA/SDI/DP/AV/S-Video, etc |
| Control Input Type | USB |
| Calibration | Support brightness and chroma |
| Runtime Duty Cycle | 24h×7 |
| LED Life Time | ≥100,000 Hours |
| Standard Mounting Configuration | Fix |
| Maximum Installed Height | Unlimited(LED display modules) |
| Maximum Installed Width | Unlimited(LED display modules) |
| Professional Services | Design, configuration, install and service available |
| Power Status | Diagnostic LEDs |
| Data Interconnection | CAT5 Cable (L≤100m); multi-mode fiber (L≤300m); single mode fiber (L≤15km) |
| Regulation Compliance | UL |
| Note: The power is just for reference, specification subjected to change without prior notice. | |

Cabinet mechanical:

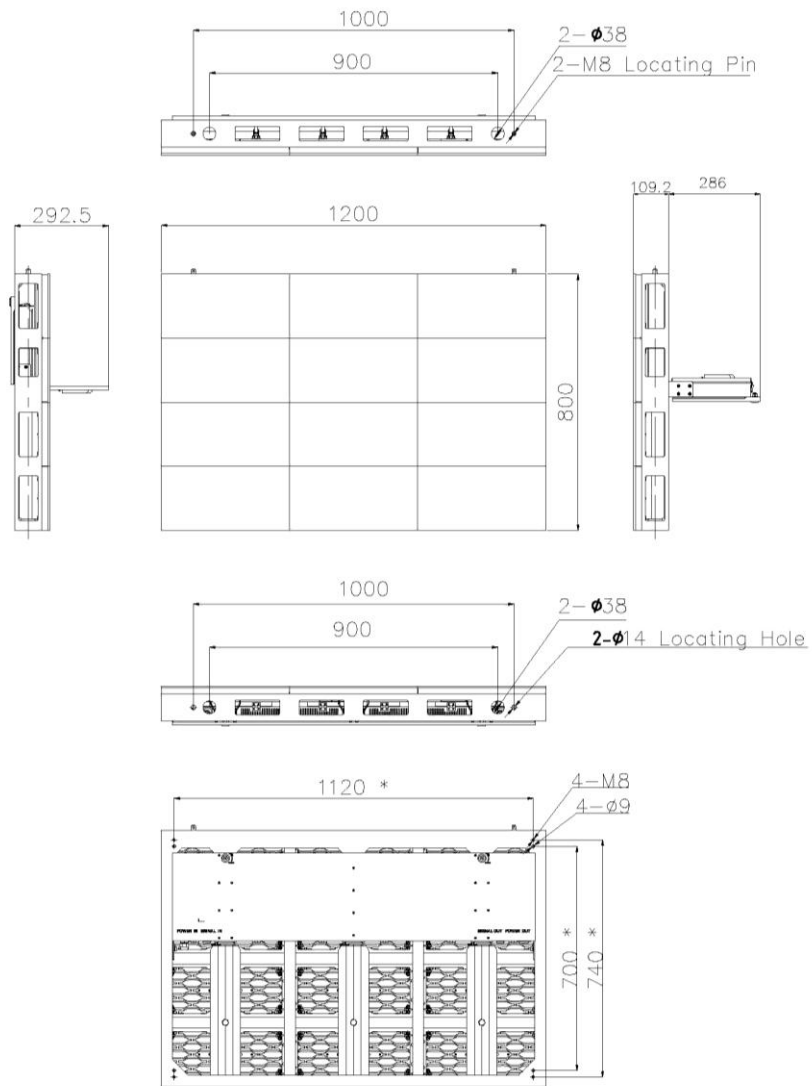


Fig1 1200x800 Cabinet dimension

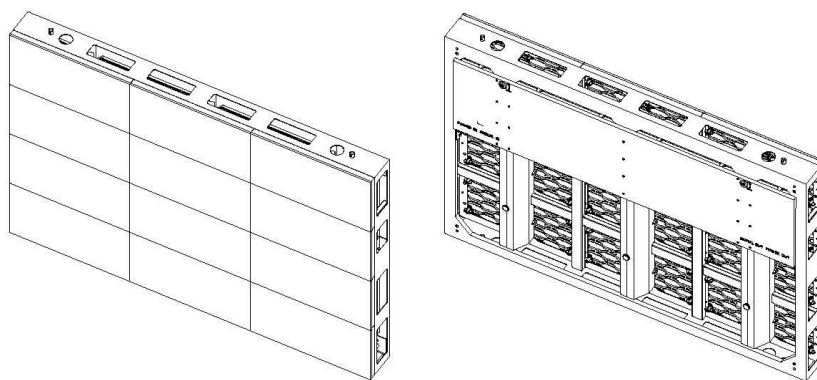


Fig2 1200x800 Effect drawing

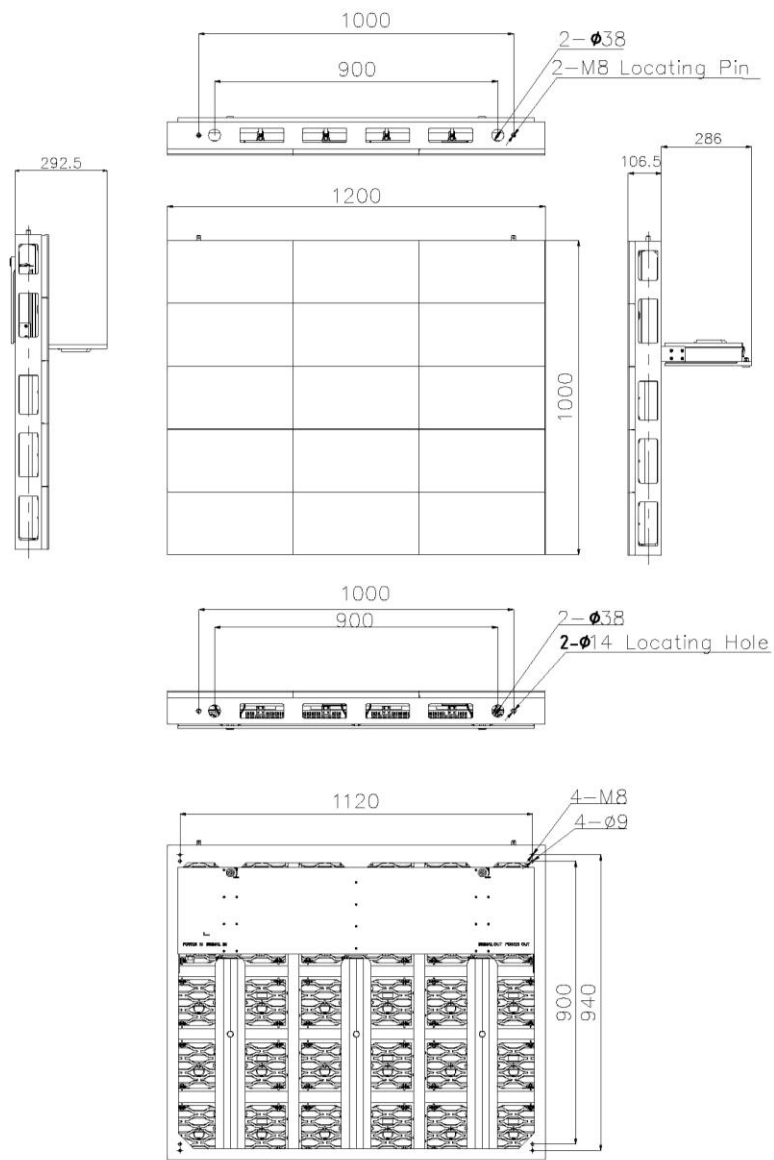


Fig3 1200x1000 Cabinet dimension

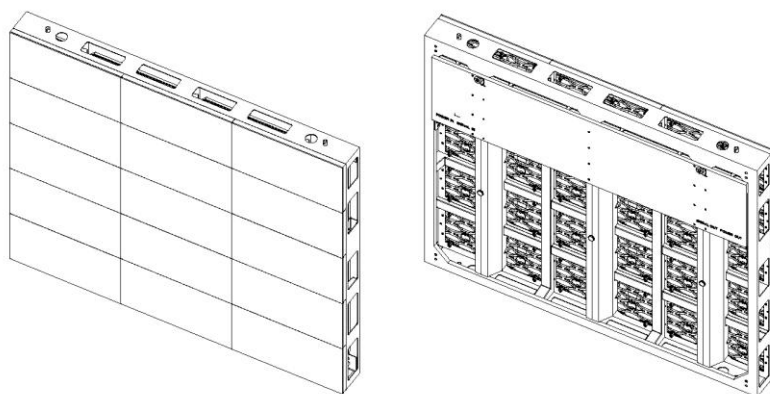


Fig4 1200x1000 Effect drawing

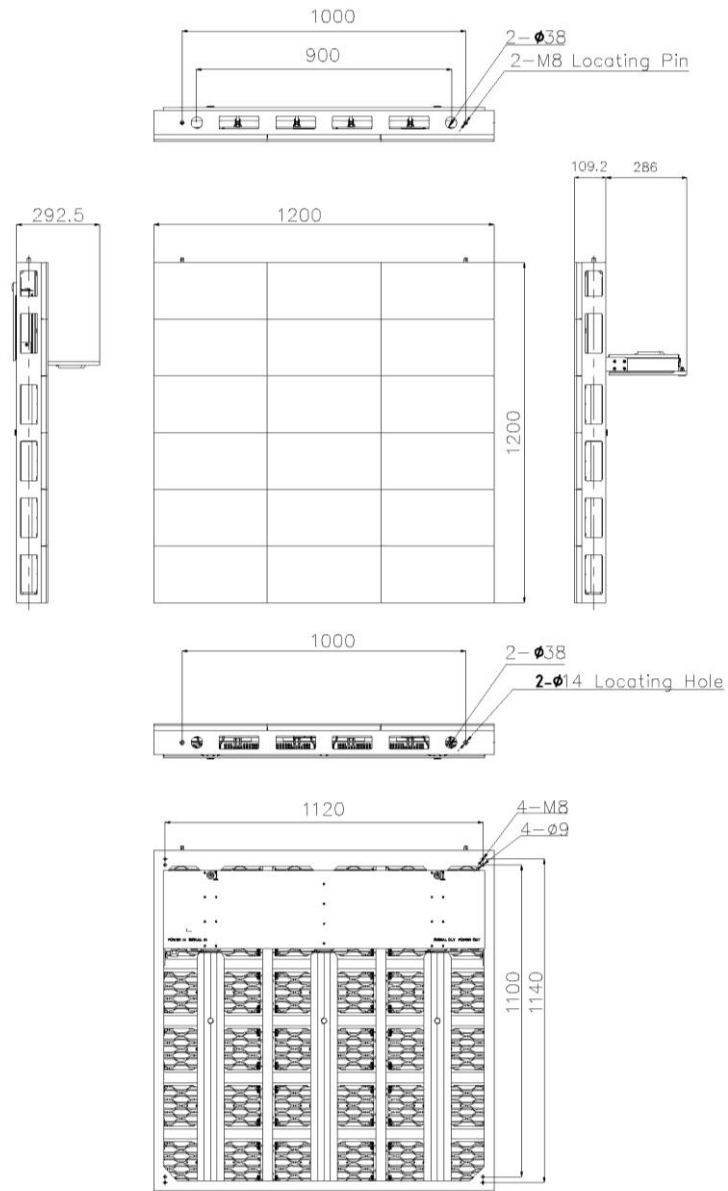


Fig5 1200x1200 Cabinet dimension

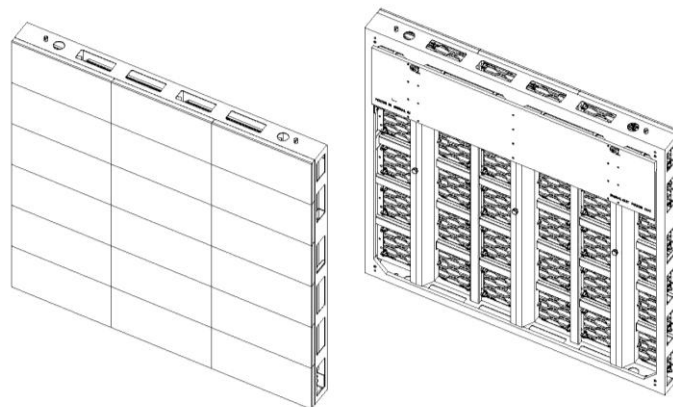


Fig6 1200x1200 Effect drawing