

Ustorm II20

A disruptive product for DOOH market



Main Technical Specifications:

Parameter	Value		
Pixel Pitch	20mm		
LED Type	DIP346		
LED Configuration	1Red,1Green,1Blue		
Brightness(Uncalibrated/Calibrated)	8235cd/m ² / 7000cd/m ²		
Module Size	W400mmxH200mm		
Cabinet Size	1200x800x126	1200x1000x126	1200x1200x126
Weight	32 kg/panel	42.5 kg/panel	49 kg/panel
Area	0.96 m ²	1.2 m ²	1.44 m ²
Pixels Per Panel	60x40 Dots	60x50 Dots	60x60 Dots
Aspect Ratio	3:2	6:5	1:1
Pixel Density	2500 Pixels /m ²		
Recommended Viewing Distance	16.7 m		
Material	Aluminum		
Environment	Outdoor		
Ingress Protection	IP65/IP54		
Operating Temperature/Humidity	-20°C~+50°C/10~90%RH		
Storage Temperature/Humidity	-30°C~+60°C/10~95%RH		
Maintenance	Front and Rear		
Gap Between Modules	Seamless		
Bezel Width	None		
Horizontal Viewing Angle	+/-70°		
Vertical Viewing Angle	+/-30°		

Surface Evenness	≤1mm
Color Temperature	2000-9300K Adjustable
Chroma Uniformity	±0.003Cx,Cy
Luminance Uniformity	≥98%
Color Processing	14 bits
Brightness Control	Manual/Automatic
Contrast Ratio	3000:1
Input Power <Max>	470W/ m ²
Input Power <Typical>	160W/ m ²
Driving Method	Constant Current Drive
Video Frame Rate	50/60 Hz
Rate Refresh	1920 Hz
Input Voltage	100~240VAC
Input Power Frequency	47~63 Hz
Input Signal	DVI/HDMI/VGA/SDI/DP/AV/S-Video, etc
Control Input Type	USB
Calibration	Support brightness and chroma
Runtime Duty Cycle	24h×7
LED Life Time	≥100,000 Hours
Standard Mounting Configuration	Fix
Maximum Installed Height	Unlimited(LED display modules)
Maximum Installed Width	Unlimited(LED display modules)
Professional Services	Design, configuration, install and service available
Power Status	Diagnostic LEDs
Data Interconnection	CAT5 Cable (L≤100m); multi-mode fiber (L≤300m); single mode fiber (L≤15km)
Regulation Compliance	UL
Note: The power is just for reference, specification subjected to change without prior notice.	

Cabinet mechanical:

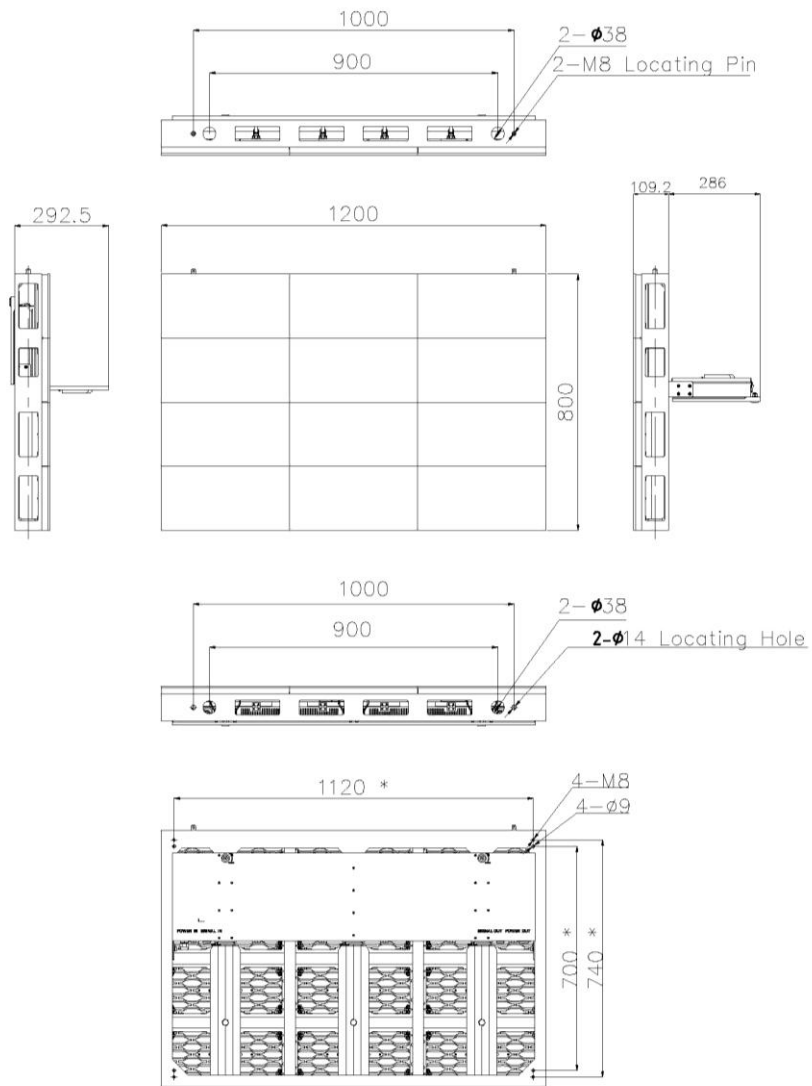


Fig1 1200x800 Cabinet dimension

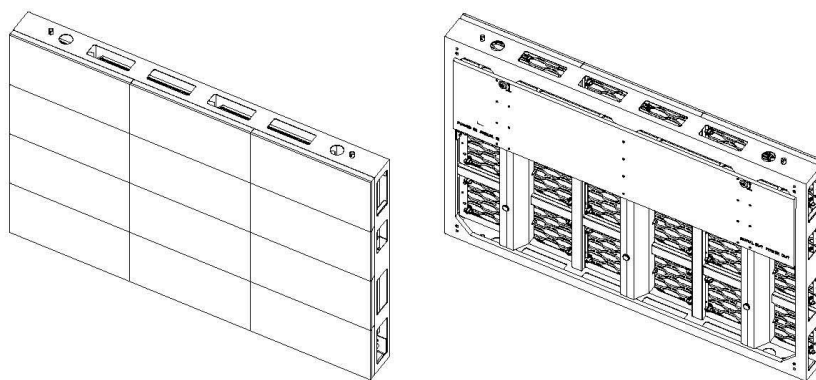


Fig2 1200x800 Effect drawing

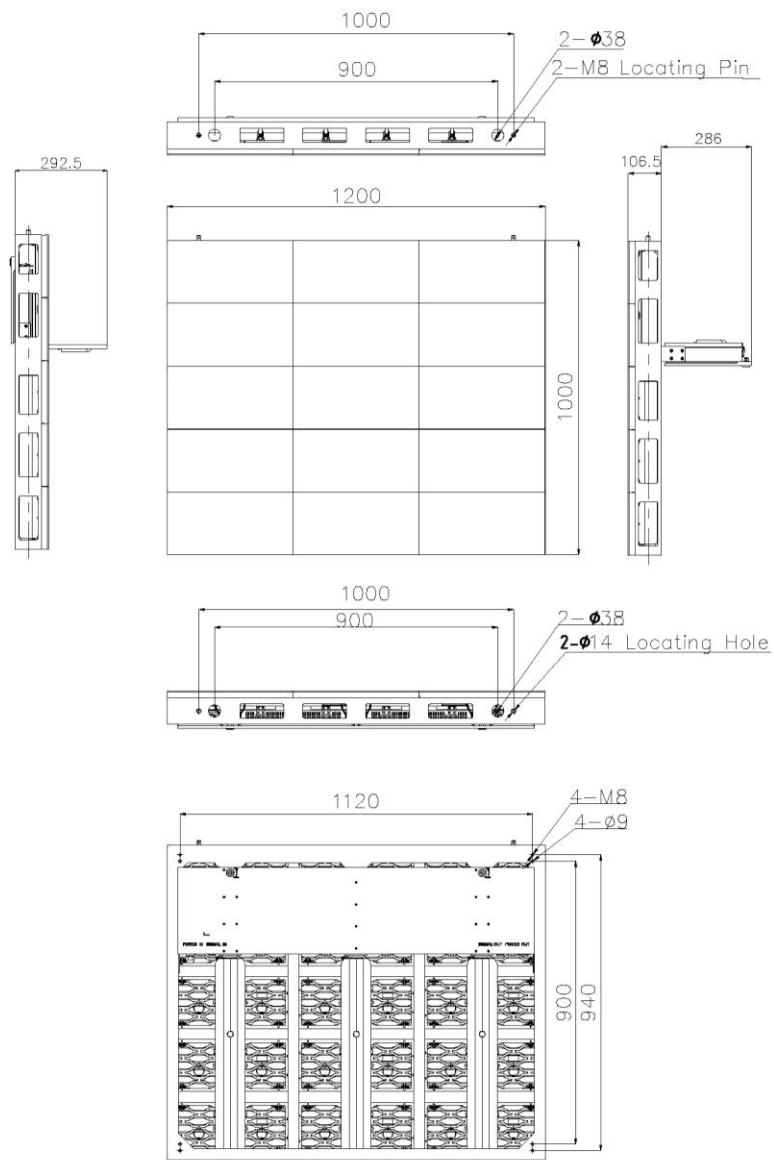


Fig3 1200x1000 Cabinet dimension

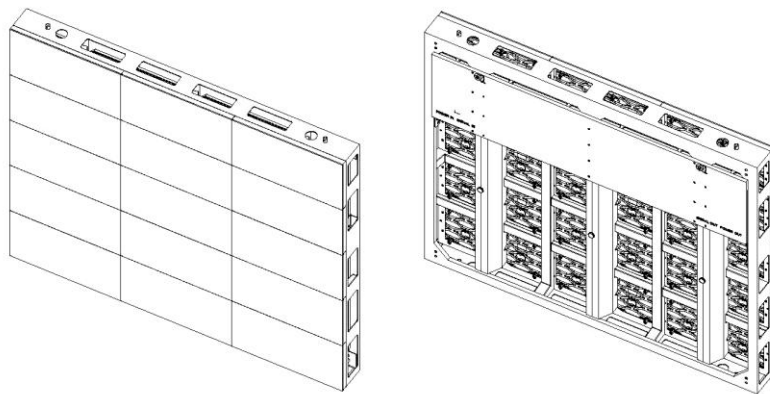


Fig4 1200x1000 Effect drawing

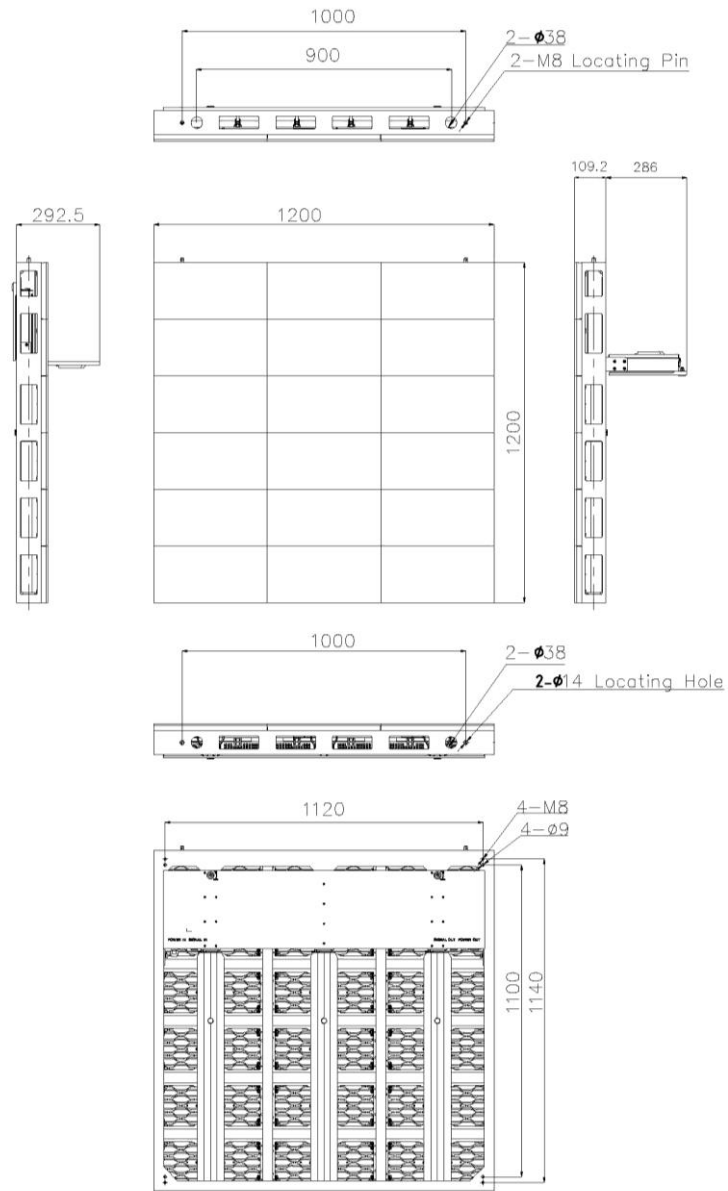


Fig5 1200x1200 Cabinet dimension

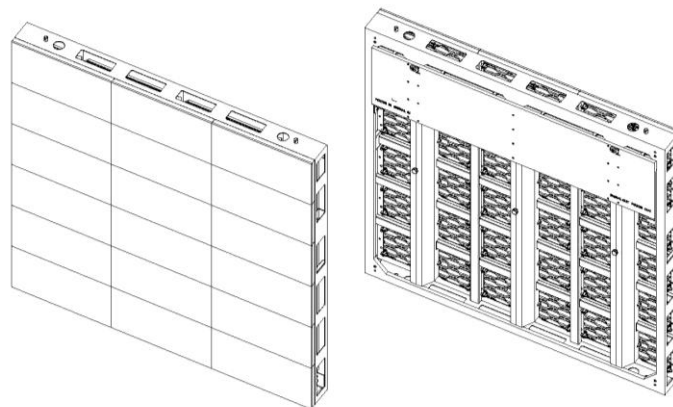


Fig6 1200x1200 Effect drawing