

## Usurface II6

The longest lifespan

Outdoor SMD LED display



### Main Technical Specifications:

Parameter	Value		
Pixel Pitch	6.7mm		
LED Type	SMD2727		
LED Configuration	1Red,1Green,1Blue		
Brightness(Uncalibrated/Calibrated)	8235cd/m <sup>2</sup> / 7000cd/m <sup>2</sup>		
Module Size	W400mm×H200mm		
Cabinet Size	1200×800×122	1200×1000×122	1200×1200×122
Weight	32 kg/panel	43 kg/panel	49 kg/panel
Area	0.96 m <sup>2</sup>	1.2 m <sup>2</sup>	1.44 m <sup>2</sup>
Pixels Per Panel	180×120 Dots	180×150 Dots	180×180 Dots
Aspect Ratio	3:2	6:5	1:1
Pixel Density	22,500 Pixels /m <sup>2</sup>		
Recommended Viewing Distance	6.7 m		
Material	Aluminum		
Environment	Outdoor		
Ingress Protection	IP65/IP54		
Operating Temperature/Humidity	-20℃~+50℃/10~90%RH		
Storage Temperature/Humidity	-30℃~+60℃/10~95%RH		
Maintenance	Front and Rear		
Gap Between Modules	Seamless		
Bezel Width	None		

<b>Horizontal Viewing Angle</b>	+/-80°
<b>Vertical Viewing Angle</b>	+/-72.5°
<b>Surface Evenness</b>	≤1mm
<b>Color Temperature</b>	2000-9300K Adjustable
<b>Chroma Uniformity</b>	±0.003Cx,Cy
<b>Luminance Uniformity</b>	≥98%
<b>Color Processing</b>	14 bits
<b>Brightness Control</b>	Manual/Automatic
<b>Contrast Ratio</b>	6000:1
<b>Input Power &lt;Max&gt;</b>	680W/ m <sup>2</sup>
<b>Input Power &lt;Typical&gt;</b>	225W/ m <sup>2</sup>
<b>Driving Method</b>	Constant Current Drive
<b>Video Frame Rate</b>	50/60 Hz
<b>Rate Refresh</b>	1920 Hz
<b>Input Voltage</b>	100~240VAC
<b>Input Power Frequency</b>	47~63 Hz
<b>Input Signal</b>	DVI/HDMI/VGA/SDI/DP/AV/S-Video, etc
<b>Control Input Type</b>	USB
<b>Calibration</b>	Support brightness and chroma
<b>Runtime Duty Cycle</b>	24h×7
<b>LED Life Time</b>	≥100,000 Hours
<b>Standard Mounting Configuration</b>	Fix
<b>Maximum Installed Height</b>	Unlimited(LED display modules)
<b>Maximum Installed Width</b>	Unlimited(LED display modules)
<b>Professional Services</b>	Design, configuration, install and service available
<b>Power Status</b>	Diagnostic LEDs
<b>Data Interconnection</b>	CAT5 Cable ( L≤100m ); multi-mode fiber ( L≤300m ); single mode fiber ( L≤15km )
<b>Note: The power is just for reference, specification subjected to change without prior notice.</b>	

# Cabinet mechanical:

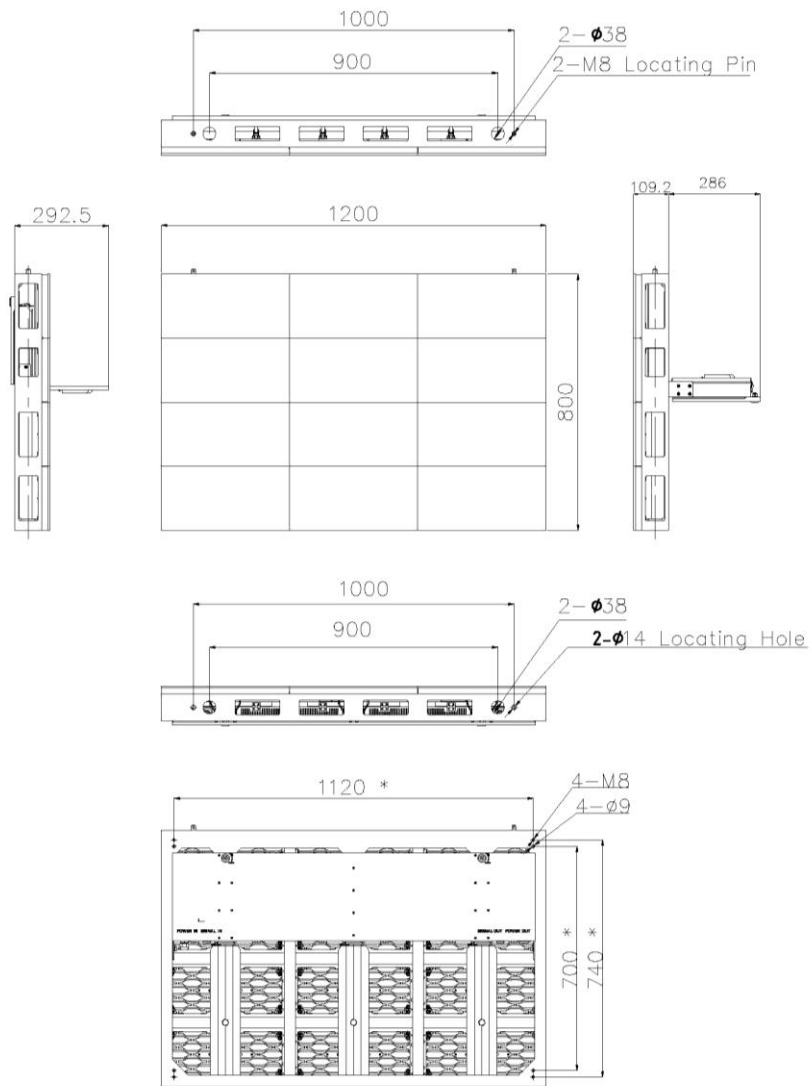


Fig1 1200×800 Cabinet dimension

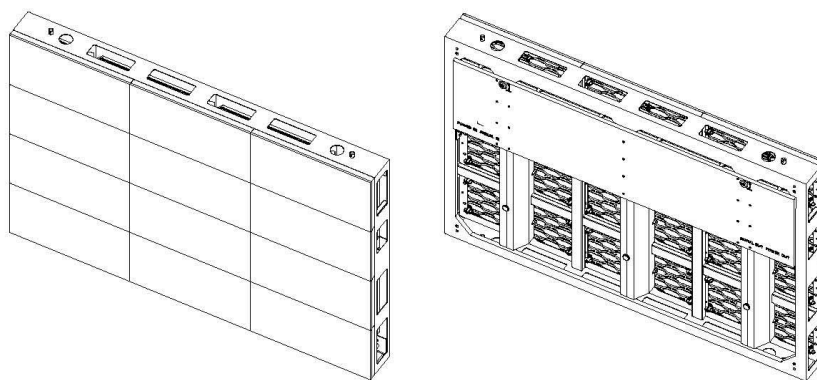


Fig2 1200×800 Effect drawing

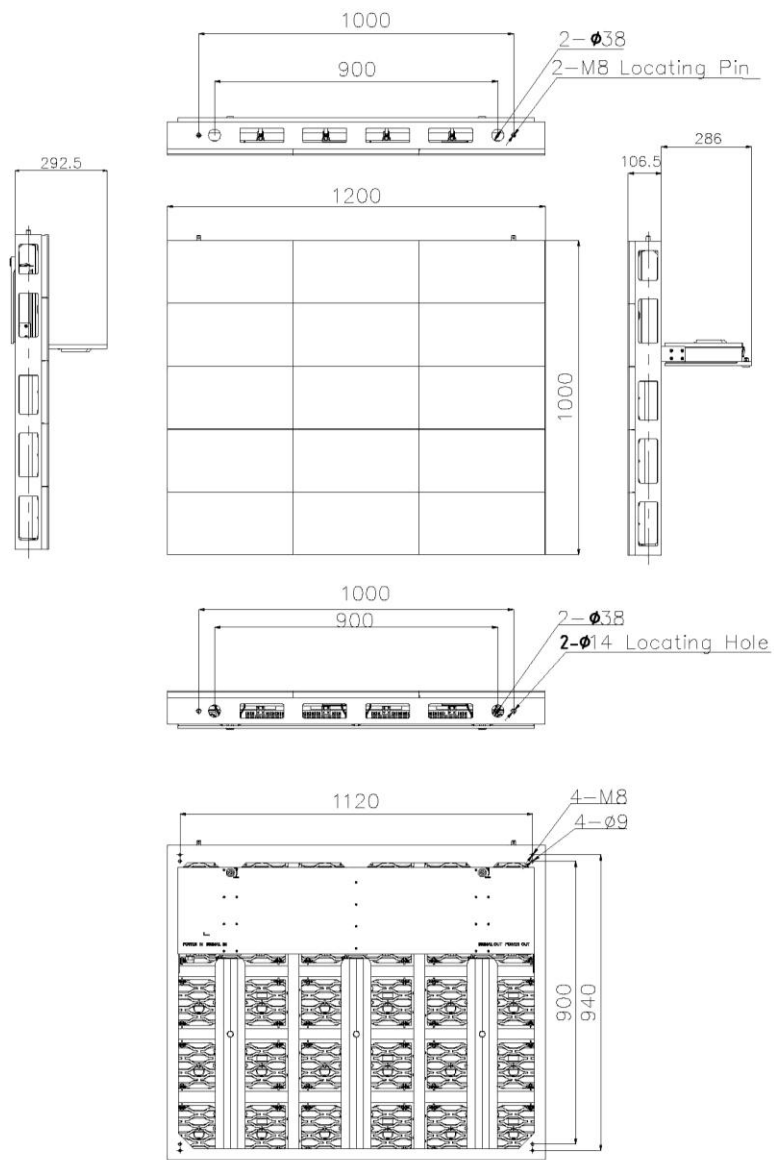


Fig3 1200×1000 Cabinet dimension

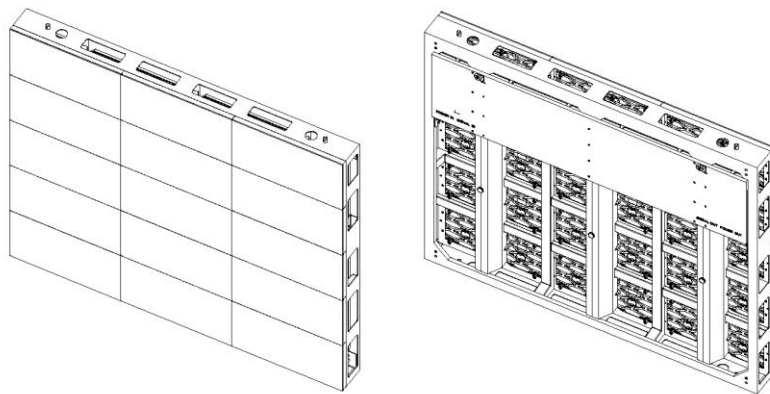


Fig4 1200×1000 Effect drawing

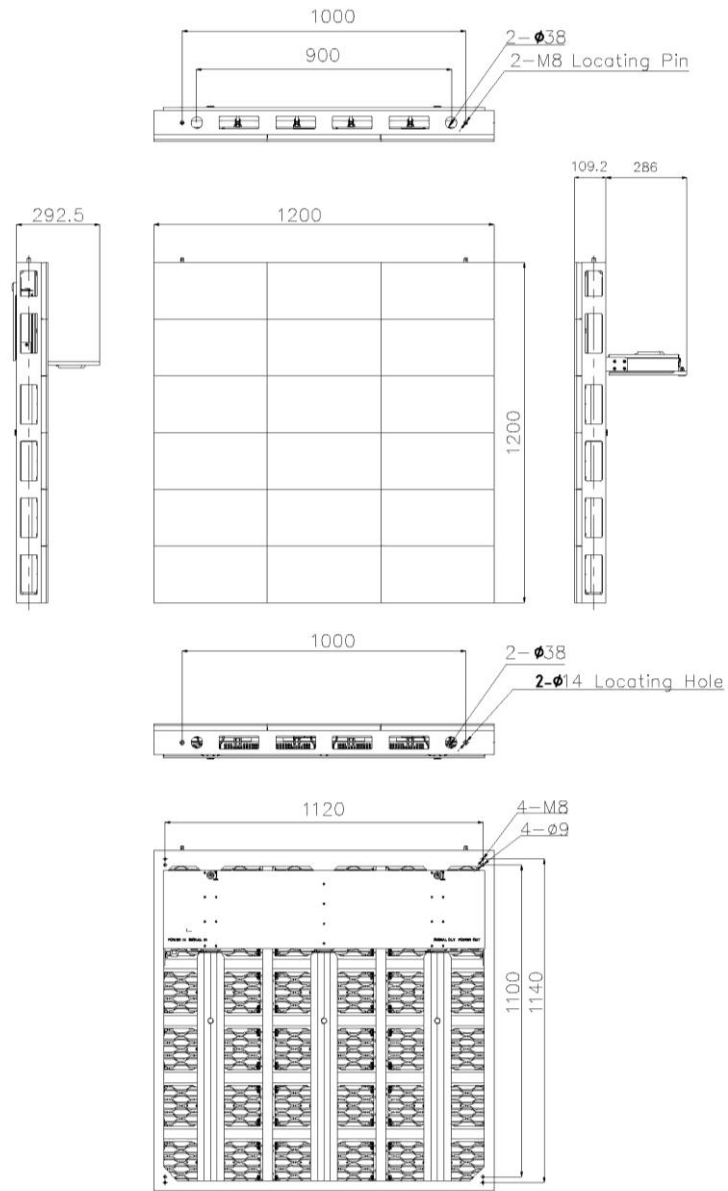


Fig5 1200×1200 Cabinet dimension

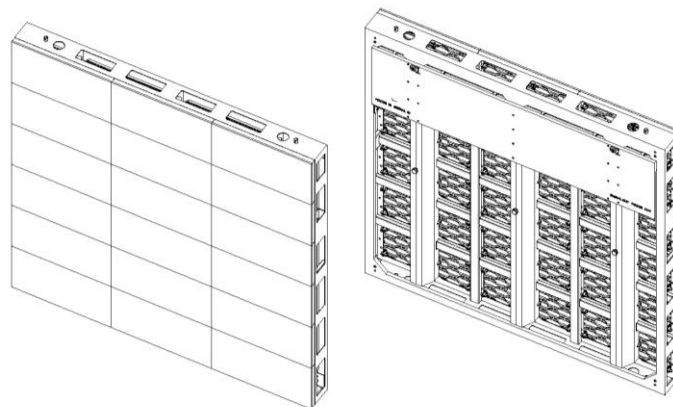


Fig6 1200×1200 Effect drawing