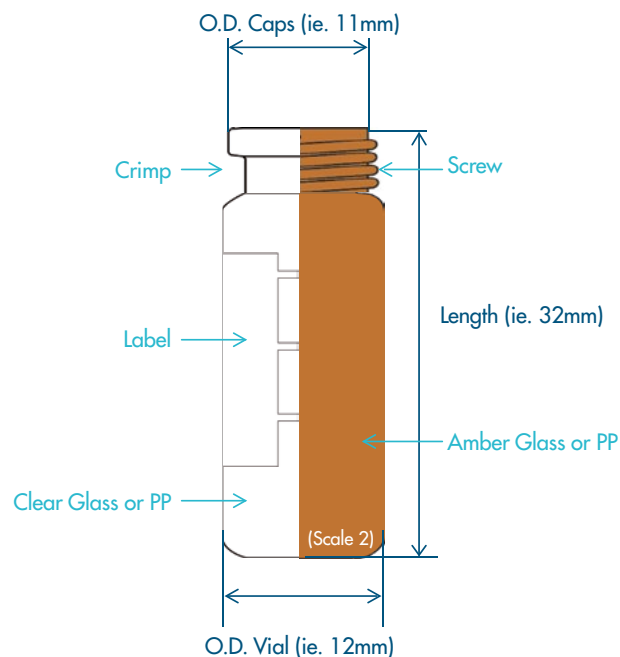


UPTIVIAL™ SELECTION

Autosampler Vials 12 x 32mm
& Crimp, Snap, Screw Caps
& Accessories



TECHNICAL DATA



Vials Materials

- **Glass:** for general use and for use with acids
- **Clear Glass:** Clear Borosilicate Glass 1st hydrolytic class (EXP51)
- **Amber Glass:** Amber Borosilicate Glass (EXP51)
- **Silanized:** for use with samples that bind to glass (reduce the adsorption of polar compounds onto the surface of glass container) and for trace analyses
- **Amber:** for use with light sensitive samples
- **Polypropylene (PP):** for use with samples that bind to glass and for trace analyses

	PE : PolyEthylene	PP : PolyPropylene	PTFE : PolyTetraFluorEthylene	TPX : PolyMethylPentene	Glass borosilicated
Temp °C (Min / Max)	-40 / 100 °C	-20 / 135 °C	-200 / 260 °C	0 / 175 °C	-70 / 500 °C
Acetone	D	A	A	A	A
Acetonitrile	A	C	A	C	A
Benzene	D	D	A	B	A
Carbon Tetrachloride	B	B	A	D	A
Chloroform	C	D	A	D	A
Cyclohexane	C	C	A	D	A
Dimethyl Formamide	A	A	A	A	A
Dimethylsulphoxide (DMSO)	A	A	A	A	A
Dioxane	B	B	A	C	A
Ethanol 40%	A	A	A	A	A
Ethyl acetate	A	A	A	C	A
Hexane	B	B	A	C	A
Isopropanol 1000%	A	A	A	A	A
Methanol 100%	A	A	A	A	A
Methyl-t-Butyl Ether	C	C	A	A	A
Tetrahydrofuran	B	B	A	C	A
Toluene	C	C	A	C	A
Water	A	A	A	A	A
Xylene	B	C	A	D	A

A	Excellent
B	Good
C	Fair
D	Not recommended

TECHNICAL DATA

Septas Materials

- **PTFE:** Exceptional solvent resistance and chemical compatibility
Recommended for single injection applications
The most economical septa
Not recommended for long term sample storage
Maximum temperature 260°C
- **Butyl/PTFE:** Routine analysis
Moderate resealing and excellent chemical inertness before puncture
Not recommended for multiple injections or storage of samples
Least expensive
Maximum temperature 150°C
- **Silicone/PTFE:** Recommended for multiple injections and sample storage: excellent resealing
Autoclavable
Excellent resistance to coring
Maximum temperature 200°C
- **Silicone/PTFE slit:** Reduces the possibility of coring
Used to prevent vacuum from forming inside the vial
Maximum temperature 200°C
- **PTFE/Silicone/PTFE:** Superior performance for ultra-traces analysis
Above average resealing
Most resistant to coring
Least evaporation
Autoclavable
Maximum temperature 200°C



Septa compatibility Post injection

Chemical	Rubber	Butyl	Silicone
Acids	B	C	A
Acids, diluted	B	C	B
Acetone	B	B	D
Alcohols	C	B	B
Chloroform	D	C	B
Dioxane	C	D	B
Ethyl Acetate	B	C	A
Ethyl Alcohol	A	C	B
Halogenated Hydrocarbons	D	D	A
Hexane	D	D	B
Ketones	A	B	C
Methanol	B	B	A
Pentane	D	D	B
Sulphuric Acid	C	D	B
Surfactants	A	C	A
Toluene	C	D	B
Water	A	B	A

A	Excellent
B	Good
C	Fair
D	Not recommended

“Bonded” is a chemically inert process that produces a true bond at the molecular level between the septa and the plastic cap without using adhesives. The septa are completely secured, preventing liner fallout. The septa are also uniform, which minimizes coring and eliminates excess evaporation.

Slit (-): Single slit

Slit (+): Cross slit

UPTIVIALS KITS



213910

Kit 1 1mm Crimp vials - 2mL - Wide Opening + Crimp Caps



Kit Uptivial - Delivered in dispenser box (10 x 100u) Aluminium caps (natural) with septa	Clear Glass		Amber glass	
	No label	Label	No Label	Label
Red Butyl / PTFE Natural (1.0mm)	788880	BF6490	L74702	U68650
White Silicone / PTFE Red (1.0mm)	213910	BU0690	L74692	BU0700
White Silicone / PTFE Red Slit (-) (1.0mm)	DY1240	DY1250	DY1260	DY1270
Red PTFE/ Silicone White /PTFE Red (1.0mm)	U73020	DY1210	DY1220	DY1230
Aluminium (free phtalate) (0.06mm)	APSZLO	APSZNO	---	---



DY7080

Kit 1 1mm Snap vials - 2mL Wide Opening + Snap Caps



Kit Uptivial - Delivered in dispenser box (10 x 100u) Polyethylene snap caps (natural) with septa	Clear Glass		Amber glass	
	No label	Label	No Label	Label
Red Butyl / PTFE Natural (1.0mm)	1D4600	1D4610	B3ASAO	1D4630
White Silicone / PTFE Red (1.0mm)	DY7080	1D4590	B33U50	EV0720
White Silicone / PTFE Red Slit (-) (1.0mm)	---	B3ASBO	---	AXF8PO

UPTIVIALS KITS



309575

Kit 9mm screw vials - 2mL Wide opening + Screw Caps

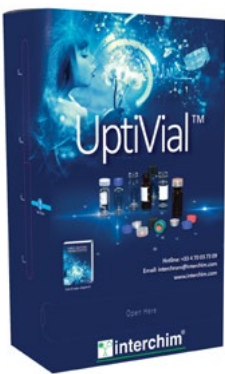


Kit Uptivial - Delivered in dispenser box (10 x 100u) Blue caps with septa	Clear Glass		Amber glass	
	No label	Label	No Label	Label
Red Butyl / PTFE Natural Bonded (1.0mm)	293982*	744203*	309674*	CH2641*
White Silicone / PTFE Red Bonded (1.0mm)	309575*	T33851*	S72231*	DW5955*
White Silicone / PTFE Blue Slit (-) Bonded (1.0mm)	T39382*	CG8690*	CG8771*	CG8781*
Beige Silicone / PTFE White Slit (-) Bonded (1.3mm)	B30SQ0*	CG8710*	CG9051*	CG9120*
Red PTFE / Silicone White / PTFE red (1.0mm)	309663	DY0580	309746	309323

LC GC certified Kits - 100u Delivered with certificate	Clear Glass	Amber glass
	label	Label
Beige Silicone / PTFE White Bonded (1.3mm)	1J070C*	1G038C*
Beige Silicone / PTFE White Slit (-) Bonded (1.3mm)	1G013C*	1J071C*



* Bonded : prevents septa fall out or push through



771540

Kit 8mm screw vials - 2mL Standard opening + Screw Caps



Kit Uptivial - Delivered in dispenser box (10 x 100u) Polypropylene caps (black) with septa	Clear Glass		Amber glass	
	No label	Label	No Label	Label
Butyl red / PTFE natural (1.0mm)	B30SV0	DY0980	BU0990	DY0990
White Silicone / PTFE Red (1.3mm)	771540*	U73070*	760470*	CK4380*
White Silicone / PTFE Red Slit (-) (1.3mm)	1L0830*	AX0501	DS7475	AX0515
Red PTFE/White silicone/PTFE Red (1.0mm)	DY4060	DY4070	DY4080	DY4090

* Bonded : prevents septa fall out or push through

AUTOSAMPLER VIALS 12 X 32MM



112220

11 mm Crimp vials - wide opening



Dimensions:
12 x 32mm
Total volume:
2mL
Usable volume:
1.5mL

PN / 10 x 100u	Clear Borosilicate Glass EXP51		Amber Borosilicate Glass EXP51	
	No label	Label	No Label	Label
Standard	112220	JQ4820	090505	645120
Silanised	APB751	E46752	---	E46775



315054

11 mm Snap vials - wide opening (double rings)



Dimensions:
12 x 32mm
Total volume:
2mL
Usable volume:
1.5mL

PN / 10 x 100u	Clear Borosilicate Glass EXP51		Amber Borosilicate Glass EXP51	
	No label	Label	No Label	Label
Standard	290920	315054	---	292660
Silanised	APB771	BD3751	---	APB801



723594

9mm Screw vials - wide opening



Dimensions:
12 x 32mm
Total volume:
2mL
Usable volume:
1.5mL

PN / 10 x 100u	Clear Borosilicate Glass EXP51		Amber Borosilicate Glass EXP 51		Clear Polypropylene	Amber Polypropylene
	No label	Label	No Label	Label	Gratuated	
Standard	723594	JO8440	723981	JO8505	BE9870	BE9880
Silanised	S31191	JO9140	---	E45561	---	---



282662

8mm Screw vials - standard opening



Dimensions:
12 x 32mm
Total volume:
2mL
Usable volume:
1.5mL

PN / 10 x 100u	Clear Borosilicate Glass EXP51		Amber Borosilicate Glass EXP 51	
	No label	Label	No Label	Label
Standard	360190	282610	296620	282662
Silanised	E45545	---	---	AS2N10

CRIMP CAPS & SNAP CAPS

11mm Crimp caps (Aluminium)



290610



213920

Open Caps with Septa (PN / 10x100u)	Natural	Red	Green
PTFE (0.25 mm)	324150	---	---
Red Butyl / PTFE Clear (1.0mm)	290610	B424E0	B424D0
Natural Rubber / PTFE Clear (1.0mm)	290619	JQ3860	347931
White Silicone / PTFE Red (1.0mm)	213920	JQ4010	JQ4025
White Silicone / PTFE Red slit (-) (1.0mm)	B426F0	---	---
Blue Silicone / PTFE White slit (+) (1.0mm)	JQ4470	---	---
Red PTFE / Silicone White / PTFE Red (1.0mm)	AYPDU0	---	---

11mm Snap Caps (Polyethylene)



181999



APB161

Open Caps with Septa (PN / 10x100u)	Natural	Blue	Red
PTFE (0.25mm)	292930	---	---
Red Butyl / PTFE Clear (1.0mm)	AXFA10	---	---
Natural Rubber / PTFE Clear (1.0mm)	BE6980	---	---
White Silicone / PTFE Red (1.0mm)	181999	1D3760	A1MN70
White Silicone / PTFE Red Slit (1.0mm)	B2WJX0 (-) APB161 (+)	1D3750 (-)	OC6940 (-)
Red PTFE / Silicone White / PTFE Red (1.0mm)	182042	---	---

SCREW CAPS



FJ7200



FJ5940



FJ9510



AWH8Z0

9mm Screw Caps (Polypropylene)



Open Caps with Septa (PN / 10x100u)	Blue	Red	Green	Transparent
PTFE (0.25mm)	BE6290	BW8270	BW8290	1Q4530
Red Butyl / PTFE Clear (1.0mm)	FJ7200*	JV9920*	---	U28112*
White Silicone / PTFE Red (1.0mm)	FJ5940*	111070*	1F1200*	---
White Silicone / PTFE Red Slit (1.0mm)	AXLCC0* (+)	---	---	---
White Silicone / PTFE Blue Slit (1.0mm)	FJ9510* (-)	E45622 (-)	1P5390 (-)	DX2590 (-)
Beige Silicone / PTFE White (1.3mm)	1F7370*	---	---	---
Beige Silicone / PTFE White Slit (1.3mm)	AWH8Z0* (-)	---	---	---
Red PTFE / Silicone White / PTFE Red (1.0mm)	AYJMU0	DX2040	AS2N00	DX2030

* Bonded : prevents septa fall out or push through

8mm Screw Caps (Polypropylene)



FJ5920



818919

Open Caps with Septa (PN / 10x100u)	Black	Blue	Green
Red Butyl / PTFE Clear (1.0 mm)	B30SU0*	---	---
White Silicone / PTFE Red (1.3 mm)	FJ5920*	1E2860*	1E2870*
White Silicone / PTFE Red Slit (1.3 mm)	1K8140* (-)	---	---
White Silicone / PTFE Blue Slit (1.0 mm)	818919 (-)	---	---
Red PTFE / Silicone White / PTFE Red (1.0 mm)	Q95140	---	---

* Bonded : prevents septa fall out or push through

AUTOSAMPLER VIALS 12 X 32MM MICROVOLUME

11 mm Crimp microvolume vials



APB822

Glass Vials:
"Champagne" type

PN / 10x100u	Total volume / Usuable volume	Glass vials		Polypropylene vials		TPX vials	
		Clear	Amber	Clear	Amber	Clear	Amber
"Champagne" type - Glass insert	1.5mL / 1.1mL	APB823	APB833	---	---	---	---
Flat Bottom	900µL / 700µL	---	---	CL0330	---	B43AT0*	---
Glass insert - Base bonded	300µL / 200µL	KV6450	KV6500	---	---	BW9282	CL0321
Glass insert - Top bonded (with label)	300µL / 200µL	HQ2990	FO1360	---	---	---	---
Plastic insert (same material as vial)	300µL / 200µL	---	---	659780	EV3010	112720	---

* Polyethylene

11 mm Snap microvolume vials (double rings)



KV6500

Glass vials with
glass insert:
base bonded

PN / 10x100u	Total volume / Usuable volume	Glass vials		Polypropylene vials		TPX vials	
		Clear	Amber	Clear	Amber	Clear	Amber
"Champagne" type - Glass insert	1.5mL / 1.1mL	B3AI00	B3AI10	---	---	---	---
Flat Bottom	900µL / 700µL	---	---	CL0330	---	B43AT0*	---
Glass insert - Base bonded	300µL / 200µL	KV6450	KV6500	---	---	BW9282	CL0321
Glass insert - Top bonded (with label)	300µL / 200µL	HQ2990	FO1360	---	---	---	---
Plastic insert (same material as vial)	300µL / 200µL	---	---	659780	EV3010	112720	---

* Polyethylene

AUTOSAMPLER VIALS 12 X 32MM MICROVOLUME

9mm Screw microvolume vials



BT5030

TPX vials
with glass insert

PN / 10x100u	Total volume / Usuable volume	Glass vials		Polypropylene vials		TPX vials	
		Clear	Amber	Clear	Amber	Clear	Amber
"Champagne" type - Glass insert	1.5mL / 1.1mL	T33885	T33891	---	---	---	---
Flat Bottom	900µL / 700µL	---	---	CG6362	---	B43AV0*	---
Glass insert - Base bonded	300µL / 200µL	KV6435	A2UR70	---	---	BT5030	CL0311
Glass insert - Top bonded (with label)	300µL / 200µL	862682	GO5930	---	---	---	---
Plastic insert (same material as vial)	300µL / 200µL	---	---	R06290	BE6070	112710	---

* Polyethylene

8mm Screw microvolume vials



BV4350

Polypropylene
microvials

PN / 10x100u	Total volume / Usuable volume	Glass vials		Polypropylene vials	
		Clear	Amber	Clear	Amber
Flat bottom	850µL / 675µL	---	---	BV4350	---
Plastic insert (same material as vial)	300µL / 200µL	---	---	313140	---
Glass insert - Base bonded	200µL / 100µL	B431T0	B8AWU0	282930	JV7470

11 mm Manual Crimpers & Manual Decappers



Type - PN / 1u	Crimper	Decapper
Ergonomic	HO9160	HO9180
Standard	177004	1G0560
Stainless Steel	1J0150	1J0200



Vials Racks



	Dimensions	Positions	PN / 1u
Acrylique - Transparent	173 x 95 x 20mm	50	BP1530
Polypropylene - Blue	200 x 105 x 17mm	50	1G0480
Polypropylene - White	192 x 98 x 23mm	50	362530



Polypropylene Storage Boxes for 12 x 32mm vials



	130 x 130 x 45mm amovable cover (PN / 1u) -80° up to 100°C		155 x 140 x 55mm attached cover (PN / 5u) -90° up to 120°C
	100 positions	81 positions	100 positions
Blue	B71OU0	1Q4580	526190 (Blue, yellow, green, red, transparent)
Orange	B71OV0	1Q4590	
Yellow	B71OX0	1Q4620	
Green	B71OY0	1Q4640	
Transparent	B71OZ0	1Q4650	
Pink	B71OW0	1Q4610	





Inserts 6mm for wide opening (11mm crimp and snap vials, 9mm screw vials)



Inserts type (PN / 10x100u)	Total volume / Usuable volume	Glass	Glass silanised	Polypropylene	Polypropylene black
Flat bottom	500µL / 350µL	306513	APB791	844971	---
Conical bottom	350µL / 250µL	1A4750	FL6400	844981	AYQVAO
Conical bottom with "spring" feet	300µL / 250µL	1A4760	FK9980	APA201	AYQVBO

Inserts 5mm for standard opening (8mm screw vials)



Inserts type (PN / 10x100u)	Total volume / Usuable volume	Glass	Glass silanised	Polypropylene
Flat bottom	500µL / 300µL	CL0340	---	DY0850
Conical bottom	250µL / 200µL	1A9970	---	U75880
Conical bottom with "spring" feet	300 µL / 250 µL	1A9960	APC050 /100u	AZ4120

OTHER RANGES AVAILABLE

Head Space Vials & Caps



Sample Vials (2mL to 60mL) & Caps



Test, Culture tubes & Caps



How to request more information, a quotation or to place an order

Please see from the list below:



By Area

Europe, Israël

info.EU@advion-interchim.com
quotes.EU@advion-interchim.com
orders.EU@advion-interchim.com
Phone: +33 4 70 03 88 55

North America

info.NAM@advion-interchim.com
quotes.NAM@advion-interchim.com
orders.NAM@advion-interchim.com
Phone: +1 607 266 9162

Asia Pacific

info.APAC@advion-interchim.com
quotes.APAC@advion-interchim.com
orders.APAC@advion-interchim.com
Phone: +46 703108410

South America

info.SAmerica@advion-interchim.com
quotes.SAmerica@advion-interchim.com
orders.SAmerica@advion-interchim.com
Phone: +46 703108410

Online

www.advion-interchim.com

**All your orders will be recorded
& processed as quickly as possible.**

**You need technical assistance?
Our scientific experts are here to help.**

Directly ask for your tailored offer

serviceconso@advion-interchim.com

Advion Interchim Scientific is the market-facing name of a partnership between Advion, Inc. and Interchim SAS, separate companies that have agreed to market and distribute their products together.
All registered and trademark belong to their respective owners. Non-contractual pictures.