

PURIFLASH® XS-VAP

Your laboratory evaporator.
X-tra compact.
X-tra intuitive.
X-tra efficient.
X-tra evaporation.



 **Advion Interchim**
scientific

INTRODUCTION

Evaporation & Concentration of your samples



With the puriFlash® XS-Vap, the concentration of your samples will no longer be a constraint! Integrating innovative technologies, evaporation times and gas consumption are reduced. Our evaporator is controlled by ultra-intuitive software to guarantee working comfort and time savings.

Its operation is simple: place your sample tubes to be concentrated in the unit, start the evaporation process and trust our needle height adjustment technology. Within minutes, your solvent is evaporated and your compounds are ready for analysis.

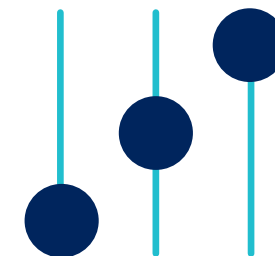


PRODUCT DETAILS

The puriFlash® XS-Vap evaporator is at your side from start to finish during your concentrations/evaporations



Whatever your field of activity (Research, Development, Quality Control, Process), the puriFlash® XS-Vap will become an essential instrument in your laboratory. The puriFlash® XS-Vap has been designed to be much more than a simple solvent evaporator! Thanks to the height adjustment of the needles, the gas consumption is drastically reduced and the evaporation speed increases without losing your molecules.



PLUG & PLAY: Plug in. Use.



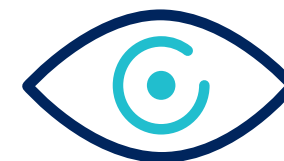
Take advantage of the many features of your solvent evaporator without delay. The puriFlash® XS-Vap can be up and running in minutes, making your work easier and saving you time every day.



How to check the evaporation process?



The entire device is translucent, allowing you to view the samples during the evaporation process and to adjust the needle position according to the solvent level in the tubes.

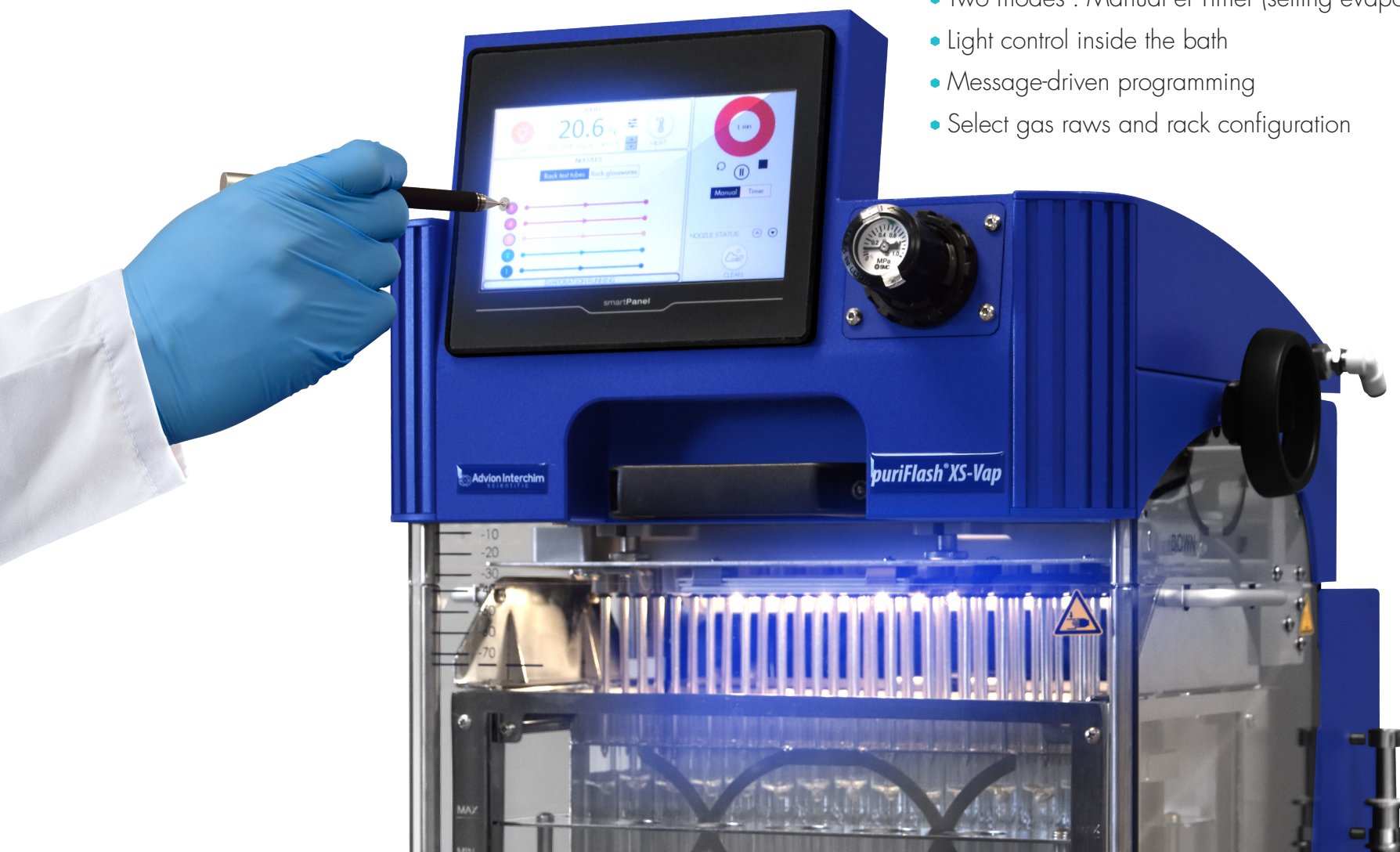


SOFTWARE FEATURES

Software control integrated in the device



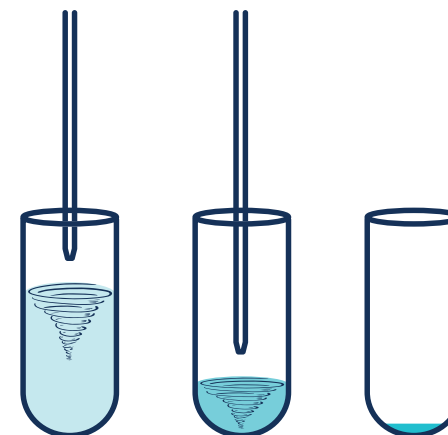
- Heating system control
- Two modes : Manual et Timer (setting evaporation time)
- Light control inside the bath
- Message-driven programming
- Select gas raws and rack configuration



EVAPORATION RATE TABLE

Sample volume : 10mL
 Tube : 16x100mm
 Gas : 1 bar - Nitrogen

Solvent	Boiling Point	Gas flow Consumption	Heating temperature				
			30°C	35°C	40°C	50°C	60°C
			Approx. Evaporation Time				
Acetonitrile	82°C	< 1L/min	---	40	30	24	15
Cyclohexane	80,75°C	< 1L/min	---	---	14	11	9
Chloroform	61,2°C	< 1L/min	---	---	12	10	---
Dichloromethane	39,6°C	< 1L/min	12	---	---	---	---
Ethyle acetate	77,1°C	< 1L/min	---	19	17	11	9
Diethylether	34,6°C	< 1L/min	6	---	---	---	---
Ethanol	78°C	< 1L/min	---	---	40	33	23
Isopropyl alcohol	82,5°C	< 1L/min	---	---	40	32	---
Hexane	69°C	< 1L/min	---	12	9	6	4
Methanol	64,7°C	< 1L/min	---	29	28	19	---
Methylterbutyl ether	55,2°C	< 1L/min	---	---	8	---	---
THF	66°C	< 1L/min	---	---	13	11	---
Toluene	110,6°C	< 1L/min	---	---	38	29	---
Water	100°C	< 1L/min	---	---	---	110	104



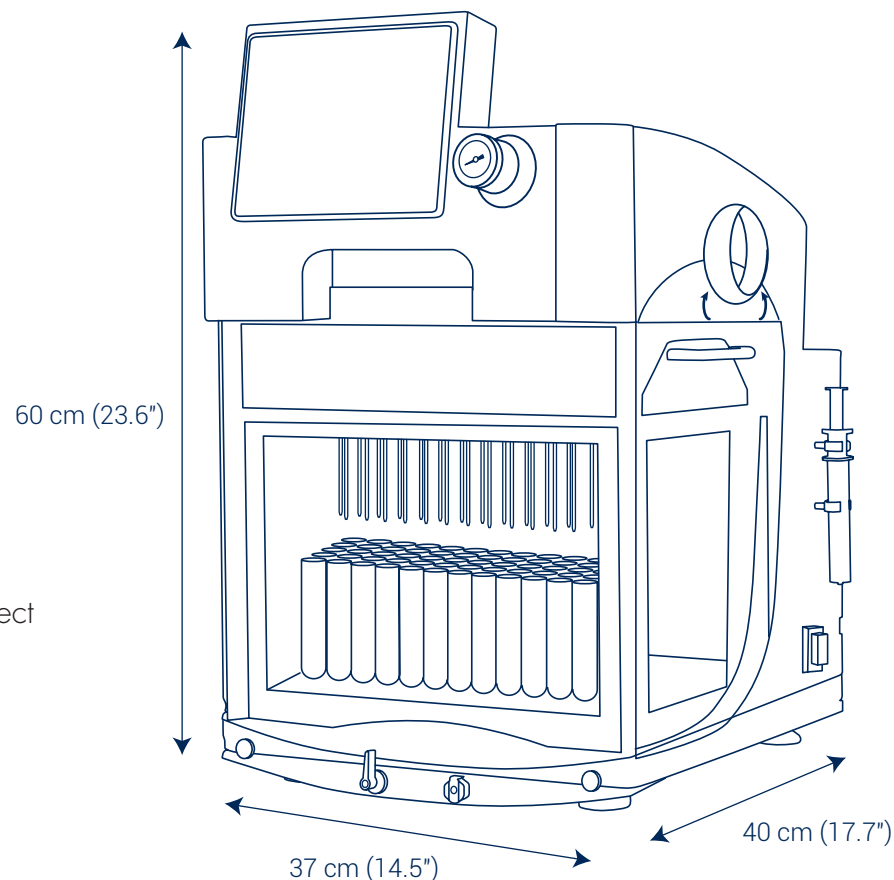
Sample volume : 50mL
 Tube : 250mL glassware
 Gas : 1 bar - Air compressed

Solvent	Boiling Point	Gas flow Consumption	Heating temperature	
			40°C	50°C
			Approx. Evaporation Time	
Ethyle acetate	77,1°C	1,2L/min	---	17
Ethanol	78°C	1,2L/min	---	36
Isopropyl alcohol	82,5°C	1,2L/min	---	32
Hexane	69°C	1,2L/min	11	8
Methanol	64,7°C	1,2L/min	---	23
Toluene	110,6°C	1,2L/min	---	36

TECHNICAL SPECIFICATIONS

- **Evaporation capacity:**
Up to 90 samples in parallel.
- **Sample volume:**
From a few milliliters to 250mL per position.
- **Gas consumption:**
Use of nitrogen or compressed air to supply the device at a pressure of 1-3 bar.
Consumption is less than 1L/min per position.
- **Heating temperature:**
Ambient up to 90°C
- **Needle adjustment:**
The level of the needles is manually adjustable according to the volume and the evaporation speed of the solvent.
- **Lights:**
Different lights visually indicate the stage of operation of the device.
- **Control software:**
Intuitive control software integrated into a touch screen control.
- **Compatibility:**
The puriFlash® XS-Vap is compatible with all types of solvents.
Our puriFlash® Gen 5, Gen 4 and XS racks are compatible with the device allowing direct evaporation of the tubes collected in the rack.
- **Tube dimensions:**
13x100mm, 16x100mm, 16x150mm, 18x150mm & 250mL vials.
- **Dimension & Weight:**
Width 37cm x Depth 40cm x Height 60cm
Weight: 35kg

Accrédité aux normes
CE & UL





Advion Interchim

scientific

How to request more information, a quotation or to place an order

Please see from the list below:



E-mail

lc_purification@advion-interchim.com

Online

www.advion-interchim.com

Phone

+33 4 70 03 88 55

All your orders will be recorded & processed as quickly as possible.

**You need technical assistance?
Our scientific experts are here to help.**

Advion Interchim Scientific is the market-facing name of a partnership between Advion, Inc. and Interchim SAS, separate companies that have agreed to market and distribute their products together.
All registered and trademark belong to their respective owners. Non-contractual pictures.