



## ***ECO DOUBLE 5 1/2" LAP STEEL SIDING (RESIDENTIAL)***



This is a residential ECO 5 1/2" Double Lap Steel Siding for use on your home / building. It is 29 ga. finished with Siliconized Polyester paint in a smooth finish. We also have panels with a Textured paint finish and both have a (40 yr. crack, check, peel & 30 yr. prorated fade warranty). It has clips that are screwed in on the top edge, and the next panel "hooks" over the clip. The trim system is also designed so that there are no screws exposed.

- Coverage Width - 11" - 5 1/2' Double Lap Siding
- Panel lengths of 20'6" or 10'3"
- Trim lengths are 10'3" and can match or contrast the siding color
- Heavy duty 29 gauge steel that is stronger than vinyl siding
- Better resistance to hail than vinyl siding
- Better resistance to wind than vinyl siding
- Better fire resistance than vinyl siding
- Better color retention than vinyl siding (40 yr. crack, check, peel & 30 yr. prorated fade warranty)
- Smooth or Textured paint finish. (We use the same color charts as we do for our 3/4" Rib Panels, (different colors for each one))
- Uses clips to attach to the house which allows for thermal expansion and secure installation
- No caulking compared to other lap siding
- "Cool" Energy Star approved colors

# Economy Metals Double 5 1/2" Lap Siding

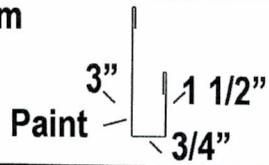
01/19



9|20  
9|10

Length  
20'6"  
10'3"

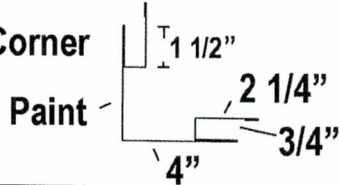
J-Trim



aljt2

10'3"

Outside Corner



alos2

10'3"

Inside Corner



alic2

10'3"

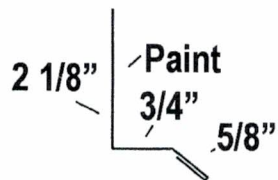
Finish Strip



alfs2

10'3"

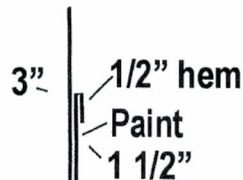
Drip Cap



aldc2

10'3"

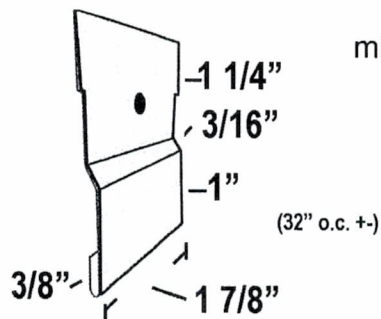
Starter



als2

10'3"

Siding Clip  
(24 gauge)



misclipsi