



# LED Solar Street Light

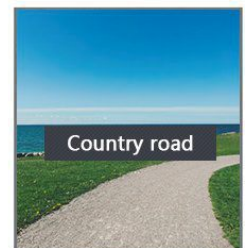
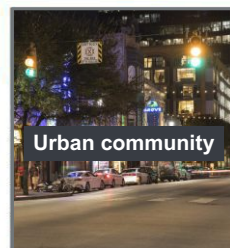
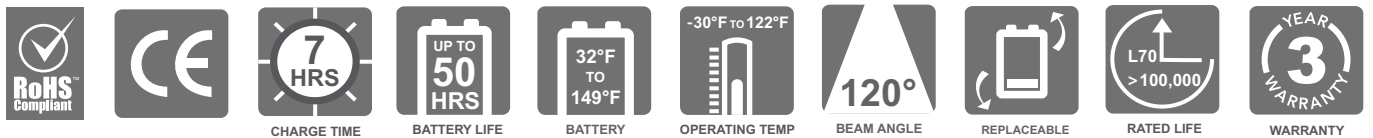


**3** years  
warranty

The features of this solar street light is an ALL-IN-ONE design. The light engine and battery and solar panel are built right into the LED fixture. No need for a power source which eliminates the need for wiring and trenching.



- Fully programmable via solar controller and photo control
- Built-in battery and solar controller
- Advanced new LiFePO4 battery lasts at least 2000 charge cycles and will last three nights with one day charge
- Perfect for street, parks, parking lots, school campuses, etc.
- Dimensions (L x W x H):
  - ALC-RMS-H220740 549\*294\*275mm
  - ALC-RMS-H220760 659\*367\*275mm
  - ALC-RMS-H2207120 789\*367\*275mm
  - ALC-RMS-H2207180 999\*430\*300mm



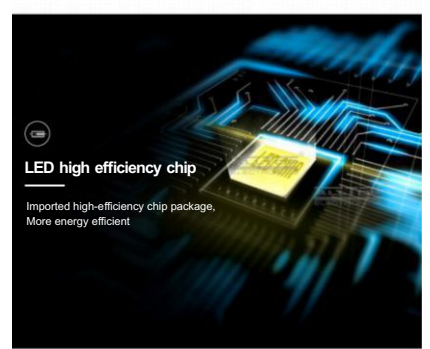
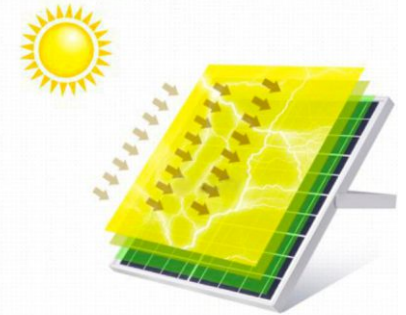
Model	ALC-RMS-H220740	ALC-RMS-H220760	ALC-RMS-H2207120	ALC-RMS-H2207180
LED Type	40pcs 3030LED	60pcs 3030LED	120pcs 3030LED	180pcs 3030LED
Battery Type & Capacity	LiFePO4 Battery 12.8V 18AH	LiFePO4 Battery 12.8V 24AH	LiFePO4 Battery 12.8V 36AH	LiFePO4 Battery 12.8V 42AH
Solar Panel Type	18V 26W (Monocrystalline Silicon)	18V 45W (Monocrystalline Silicon)	18V 55W (Monocrystalline Silicon)	18V 86W (Monocrystalline Silicon)
Product Size	549*294*275mm	659*367*275mm	789*367*275mm	999*430*300mm
Mounting Height	3-5m	5-7m	7-9m	9-12m
LED Lumen	160lm/w			
Color Temperature	3000K-6500K			
Discharging time	Motion Detection/Time Control Mode			
Operating Temperature	-20°C~60°C			
Storage Temperature	-30°C~70°C			
IP Rating	IP65			

## Details

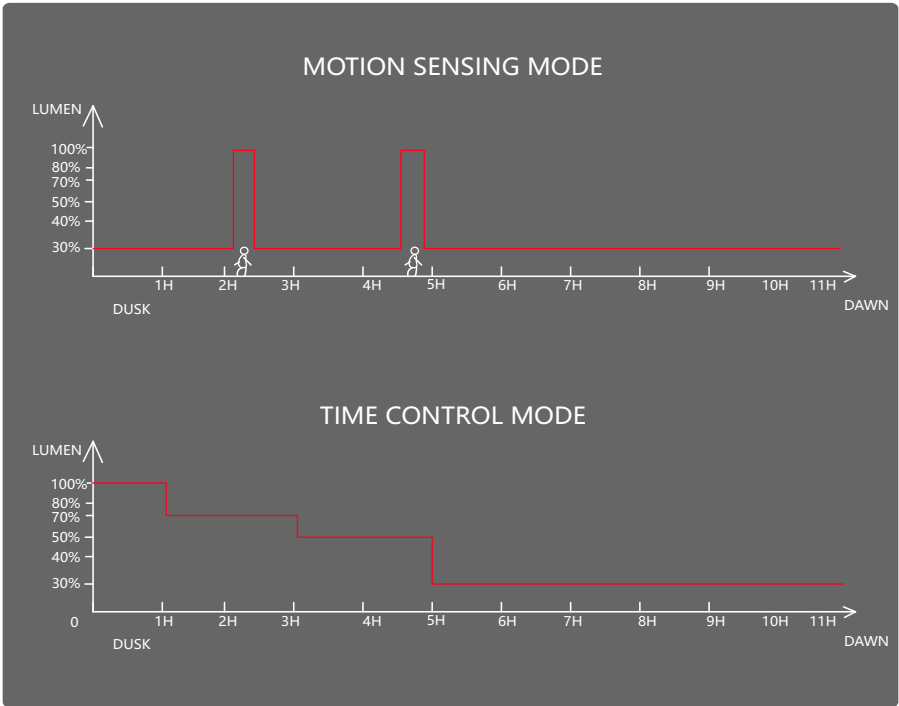


- Polycrystalline solar panel
- High light transmission optical lens
- Microwave sensor
- Lithium iron phosphate battery
- High quality aluminum lamp body

High-quality polysilicon solar panel, the light conversion power is as high as 17%-18%, only 4-6 hours is full of sturdy and durable, the surface is fully utilized with glass coverage.



# How The Light Works

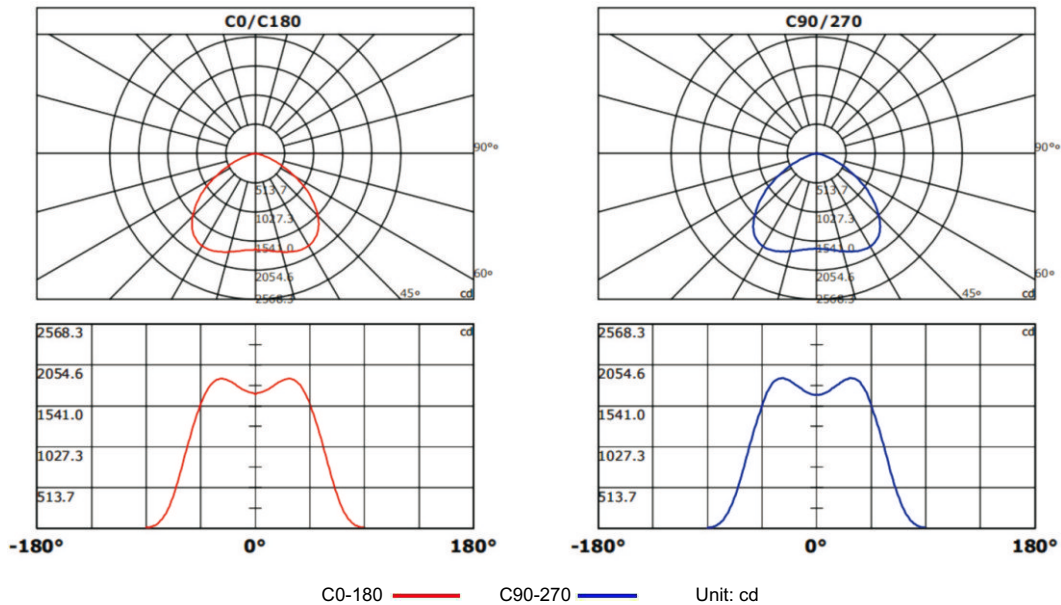


**Motion detection mode: 100% brightness when detect movement, If there is no moving objects, the lamp recover 30% brightness.**

Time control mode: self adaptive dimming mode

- Time-1: 1 hours 100% bright. (The light will work with 100% bright at this 1 hour times)
- Time-2: 2 hours 70% bright. (The light will work with 70% bright at this 2 hours times)
- Time-3: 2 hours 50% bright. (The light will work with 50% bright at this 2 hours times)
- Time-4: 6 hours 30% bright. (The light will work with 30% bright at this 6 hours times)

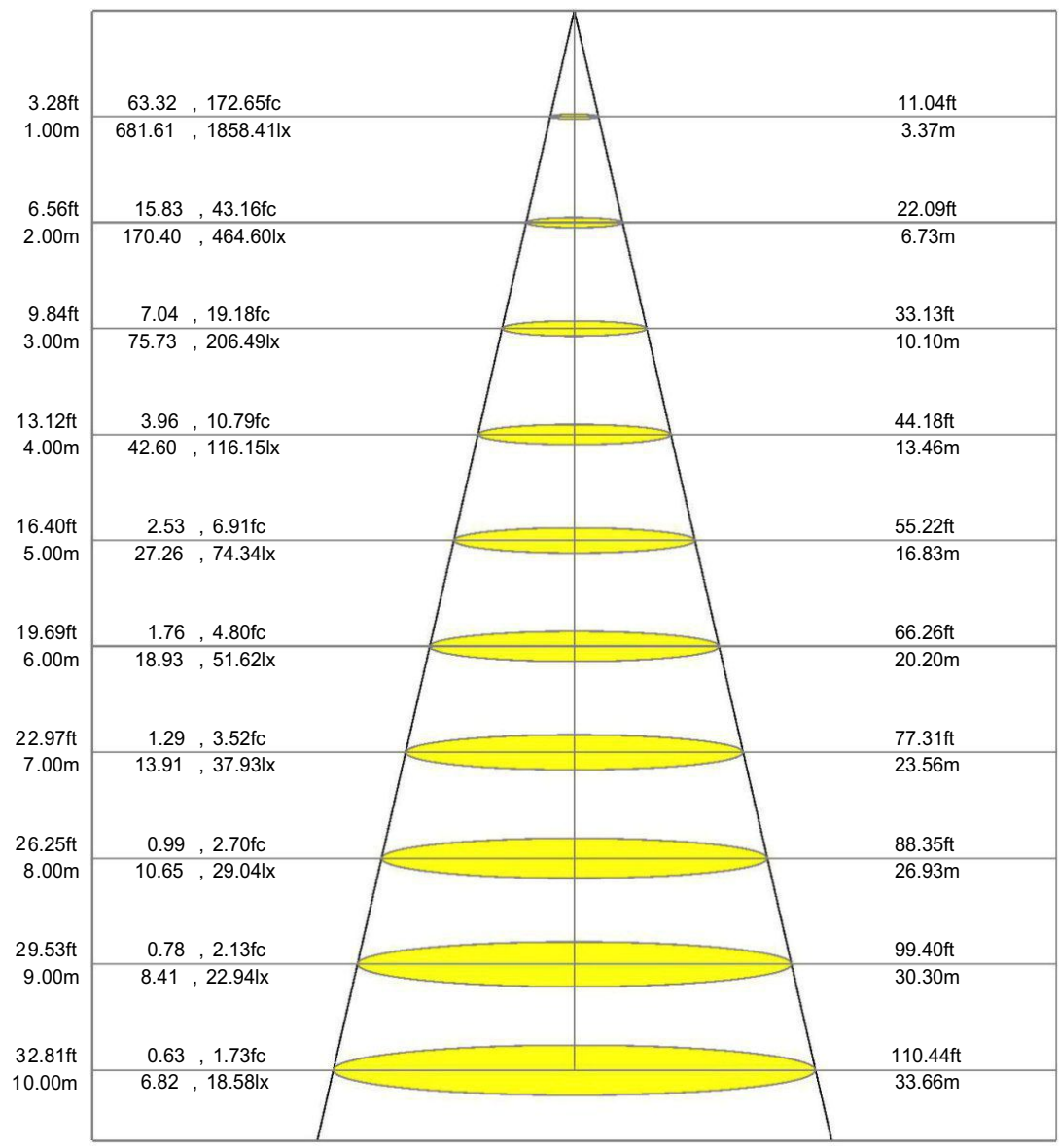
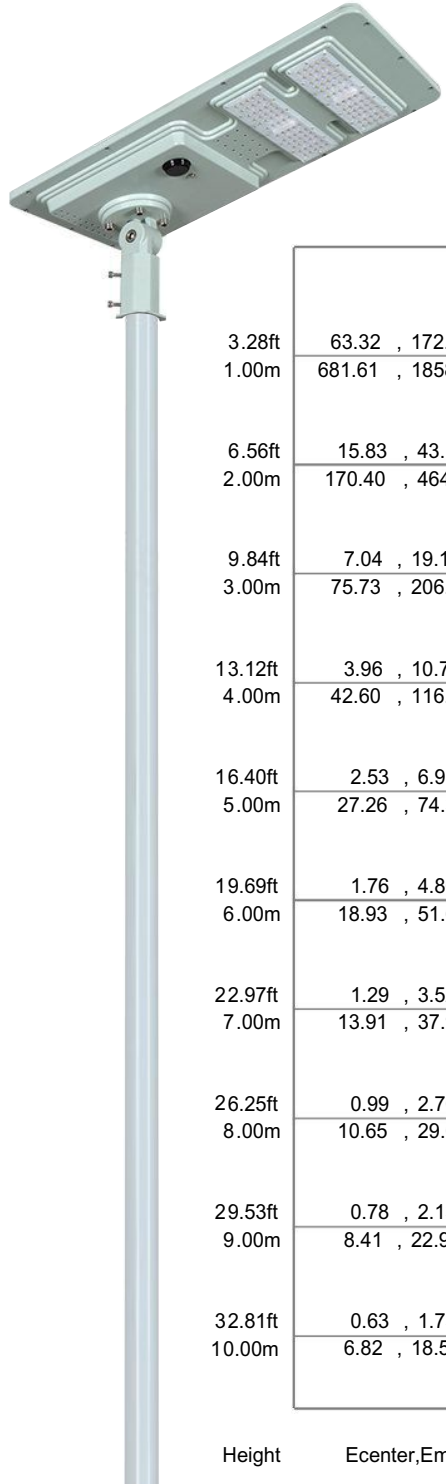
# Photometrics



C0-180 — C90-270 — Unit: cd



# Distance Diagram

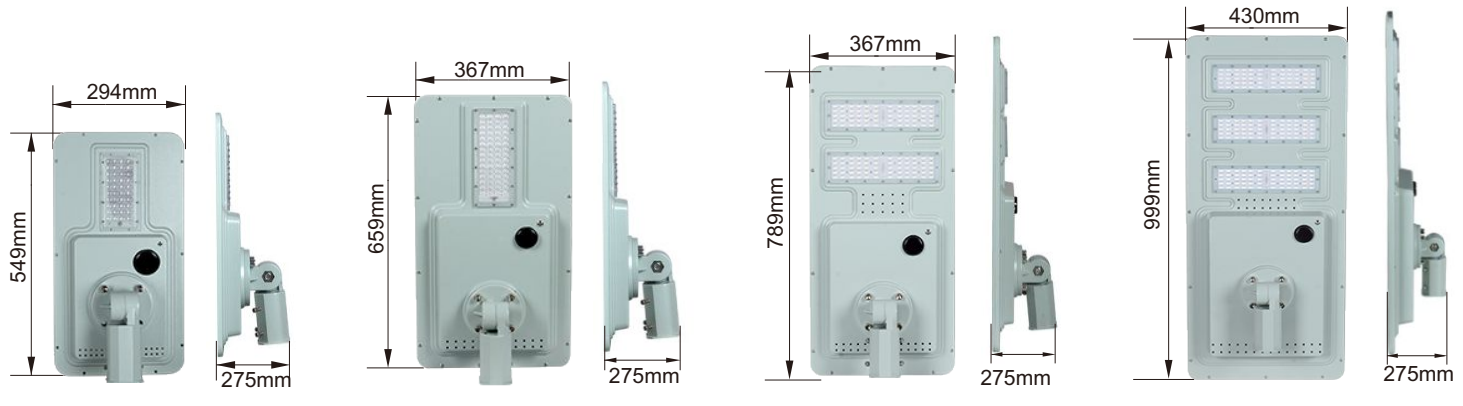


ABLE T



# Installation Dimensions

Unit:mm



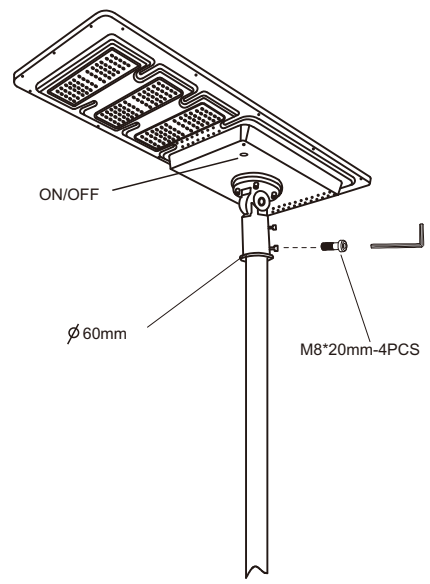
ALC-RMS-H220740

ALC-RMS-H220760

ALC-RMS-H2207120

ALC-RMS-H2207180

# Installation Guide



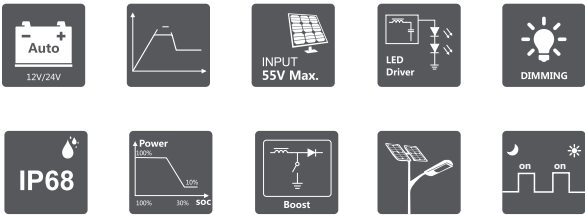
**Tips:**

1. Installation direction of the solar panel is 5-10 degrees south to west, an angle of 35 degrees with the horizontal plane.
2. Please install the solar panel in the sun direction to avoid affecting the power generation efficiency.
3. Please ensure the installation is stable.



# MPPT Specifications

## Intelligent Wireless solar Charge Controller With Step-Up LED Driver



# MPPT Main Features

1. New design of wireless remote-control can modify the controller parameter and read the system message according to the handheld device.
2. Digital high precision constant-current control, the maximum efficiency can reach 96%.
3. The working current can be adjusted from 0.15A to 3.96A, the regulating precision is 30mA.
4. High dynamic performances of load insure current output stability even though the battery voltage and load sudden change.
5. 3 section time frame dimming function design, work time can be set range from 0h to 15 hours, power can be set range from 0% to 100%.
6. Intelligent power mode, the load power can be adjust automatically according to the battery power, can extend the maximum working time of the battery.
7. Record the system status, can record at a max 7days and monitor the whole system.
8. The true constant current but not limited the current, insure the current output stability thus decrease LED light failure, increase the LED service life.
9. Metal case, IP68 waterproof degree, can suitable use in all kinds of bad conditions.
10. With modified calculation of charging, the charging efficiency is improved, which lengthen the using time of solar energy.
11. Overheat preventing function, above a certain temperature will decrease the load or close the load.
12. Varies system protection function. Including the battery reverse connection, LED short circuit, open circuit protection and so on



# Project Success Case

