



Dusk to Dawn LED light



Date: Location:

Product: Project:

Quantity: Catalog#

FEATURES

- IP65 rated, Built-in Dusk to Dawn Photocell function
- Easy installation and maintenance
- Corrosion and rust proof
- 50,000 hours lifetime

SUITABLE APPLICATIONS

- Area Lighting
- Barn Lighting
- house lighting
- Building lighting
- Warehouse lighting
- Wall lighting

CONSTRUCTION:

Heavy die-cast aluminum alloy housing with bronze powder-coated finish.

ELECTRICAL:

Available as 120-277V input. -20°C to 45°C.

OPTICAL SYSTEM:

Lumileds 3030LED chips. High quality frosted PC cover optics. 135° beam angle.

INSTALLATION & MOUNTING:

Wall mount / Bend pipe pole mounting for easy installation.

WARRANTY:

5-year limited warranty. Actual performance may differ as a result of end-user environment and application.

PERFORMANCE

Model NO	Photocell Control	Wattage	Voltage/Current Input		Light Efficiency	Kelvin Options
			120V	277V		
ALC -STL40W 5000K	3fcON/ 13fc OFF	40W	0.29A	0.12A	130LM/W	3000K/4000K/5000K
ALC -STL55W 5000K	3fcON/ 13fc OFF	55W	0.45A	0.19A	130LM/W	3000K/4000K/5000K

Dusk to Dawn LED light

Photocell Control



Built in Photocell function

Motion Sensor



Occupancy Motion Sensor options

Electric Characteristic

Specification/Model	ALC-STL40W 5000K	ALC-STL55W 5000K
LED Driver	UL listed KHM Brand	
Input power	40W	55W
Lumens output	5200LM	7150LM
Efficiency	130LM/W	130LM/W
CRI	>72	>72
Color Temperature	5000K	5000K
Input voltage	120-277V/AC	120-277V/AC
Light distribution type	135D	135D
Working temperature	-20+45°C	-20+45°C
Junction temperature	<75°C	<75°C
lamps efficiency	≥90%	≥90%
Certificate	ETL CETL DLC	ETL CETL DLC
Equivalent	60-100W MH/HPS	100-150W MH/HPS

PRODUCT ORDERING GUIDE

LS-STL 40W 5000K
1 2 3

LS-STL Dusk to Dawn

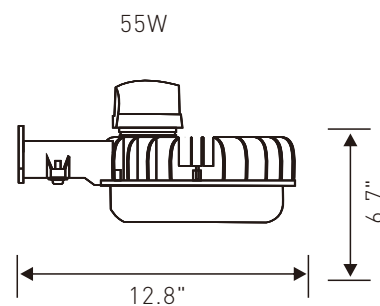
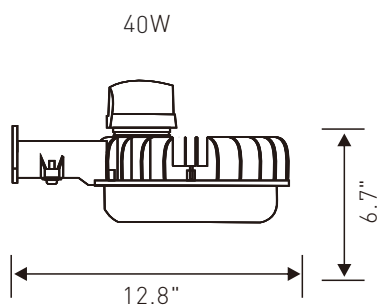
40W Power 40W 55W Power 55W

30K CCT:3000K

40K CCT:4000K

50K CCT:5000K

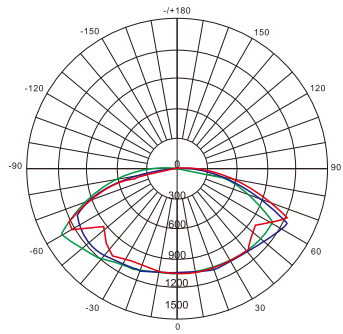
DIMENSION



Dusk to Dawn LED light

DISTRIBUTION DIAGRAM

ALC STL40W 5000K

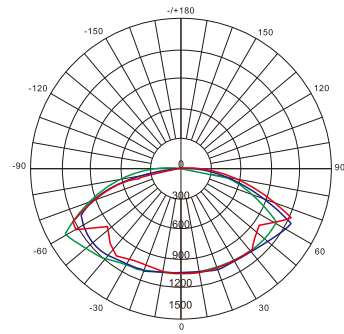


AVERAGE BEAM ANGLE[50%]: 135°

UNIT:CD
Test Number: **ALC STL40W 5000K**
Lumens: 5200LM
Test Number: 40W
Test Number: 5000K

—	C0/180, 135
—	C30/210, 104
—	C60/240, 104.5
—	C90/270, 135.2

ALC STL55W 5000K



AVERAGE BEAM ANGLE[50%]: 135°

UNIT:CD
Test Number: **ALC STL55W 5000K**
Lumens: 7150LM
Test Number: 55W
Test Number: 5000K

—	C0/180, 135
—	C30/210, 103.8
—	C60/240, 104.3
—	C90/270, 135.3