

LED FLOOD LUMINAIRE



Project Information

Type _____

Name _____

Voltage _____



Product Description

LED floodlight features high brightest power leds, best die-casting aluminum alloy, housing, IP66 DESIGN, Anti-corrosion and anti-oxidation, with 130-160lm/w design, replacing 200-600w MH or HPS Lights, 80% power saving, 50,000hrs life time, used in squares, outdoor buildings, high poles etc.

Applications

General Area and Exterior Security lighting



Electric Characteristic

Specification/Model	ALCFLC100W	ALCFLC150W	ALCFLC200W
LED Chips	Philips SMD 3030		
Input power	100W	150W	200W
Lumens output	13000LM	19500LM	26000LM
Efficiency	130LM/W	130LM/W	130LM/W
CRI	>72Ra		
Color Temperature	4000K, 5000K		
Input voltage	100-277V		
Light distribution type	120D		
Working temperature	-30~+60°C		
Junction temperature	<75°C		
lamps efficiency	≥90%		
Certificate	ETL,cETL,DLC		
Equivalent	100-300W MH/HPS	300W-450W MH/HPS	450-600W MH/HPS

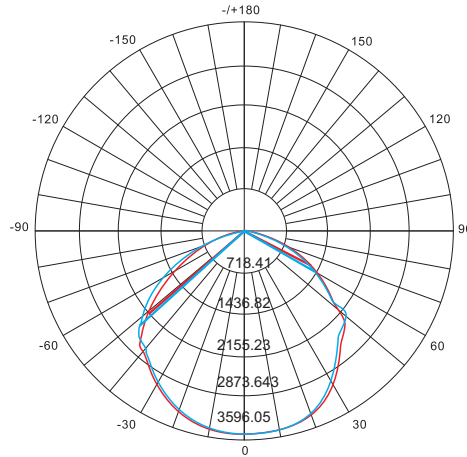
Ordering Information

Example: ALCFLC-100W-50K



Product	Power	Replacement	Color Temperature	Photocell	Furnish
ALCFLC100W	100W	100-300W MH/H	40K 4000K 50K 5000K	N not photocell Y yes photocell	T-Black
ALCFLC150W	150W	300-450W MH/HPS			
ALCFLC200W	200W	450-600W MH/HPS			

Photometrics

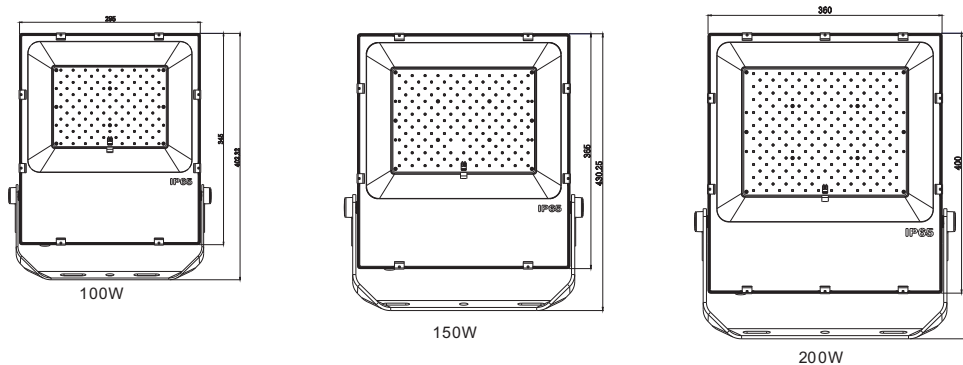


Projected LED Lumen Maintenance

Operating hours	0	25000	50000
Lumen maintenance factor	1	0.91	0.8

Data references the extrapolated performance projections for the LED Flood Light platform in a 25°C ambient, based on 10,000 hours of LED testing (tested per IESNA LM-80-08 and projected per IESNA TM-21-11).

Dimensions



After-sale Service

The product refers to electricians' knowledge. Please don't disassemble it by yourself. If any quality problem happens, please contact the factory for warranty details.

NOTE: Actual performance may differ as a result of end-user environment and application. All values are without notice.