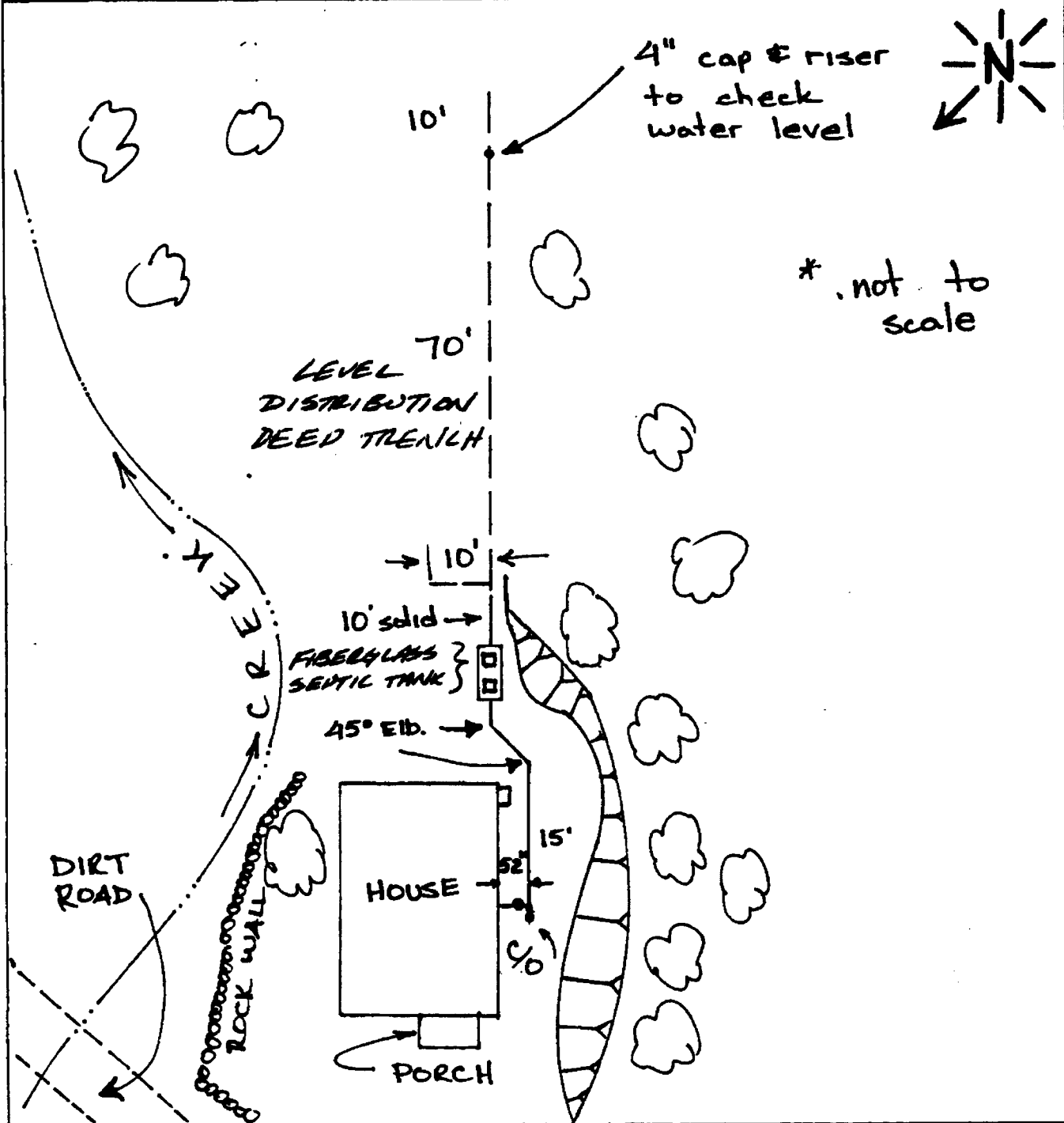


NAME: J. ROBERTSON RESERVATION: CUYAPAPE PROJECT: 78-702

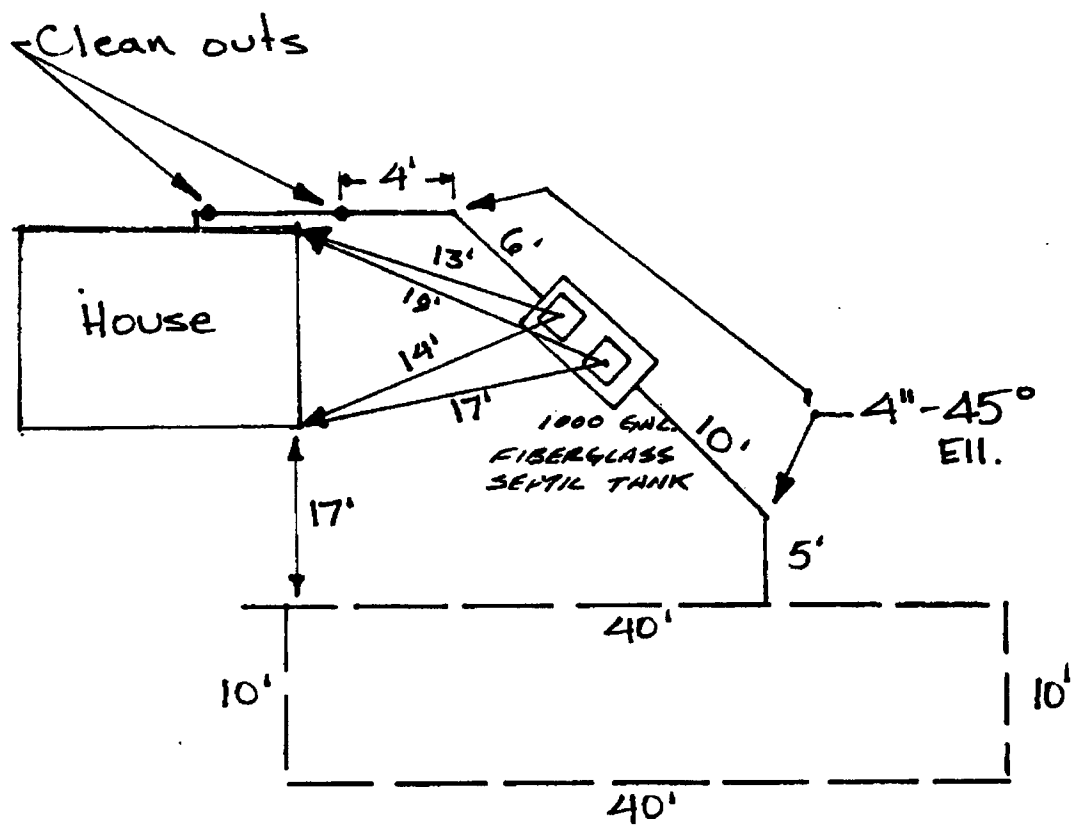
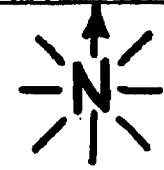
SEPTIC TANK & DRAINFIELD LOCATION
"AS-BUILT" DRAWING



NO. OF BEDROOMS: 3 SEPTIC TANK SIZE: 1000 GALLONS PERC RATE: 3 MIN/IN
DRAINFIELD LENGTH: 10 FEET WIDTH: 2 FEET GRAVEL BELOW PIPE: 2 FT.
DRAWN BY: [Signature] CHECKED BY: WSB DATE: Sept 24/81

NAME: Harlan Pinto RESERVATION: Cuyapaipa PROJECT: 78-702

SEPTIC TANK & DRAINFIELD LOCATION
"AS-BUILT" DRAWING

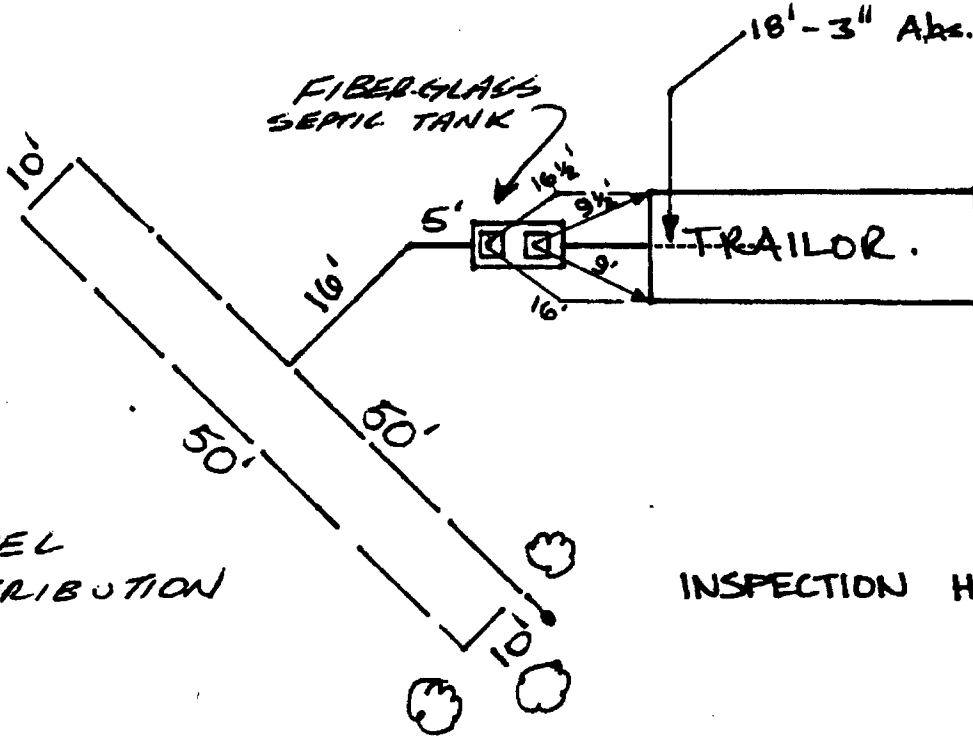


Level Distribution

FIBERGLASS
 NO. OF BEDROOMS: 1 SEPTIC TANK SIZE: 1000 GALLONS PERC RATE: 3 MIN/IN
 DRAINFIELD LENGTH: 100 FEET WIDTH: 2 FEET GRAVEL BELOW PIPE: 1 FT.
 DRAWN BY: [Signature] CHECKED BY: WSB DATE: August 3, 1981

NAME: E. JOHNSON RESERVATION: LUYAPAIPE PROJECT: 78-102

SEPTIC TANK & DRAINFIELD LOCATION
"AS-BUILT" DRAWING



LEVEL
DISTRIBUTION

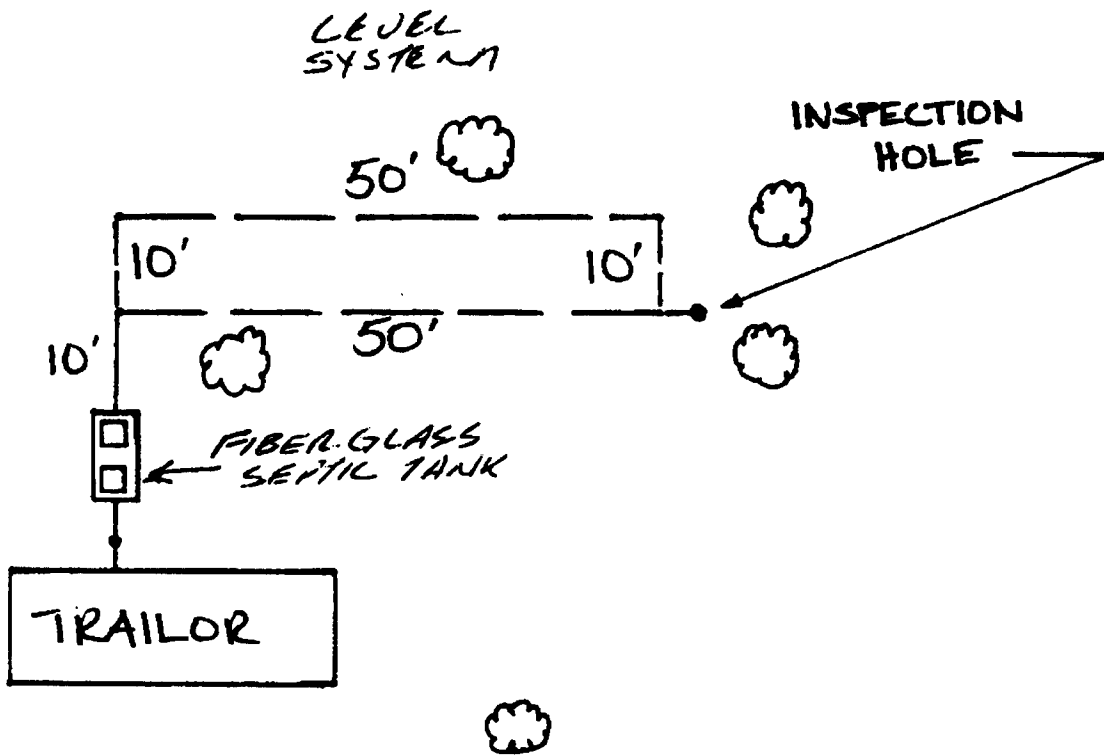
INSPECTION HOLE

NO. OF BEDROOMS: 2 SEPTIC TANK SIZE: 1000 GALLONS PERC RATE: 3 MIN/IN
DRAINFIELD LENGTH: 120 FEET WIDTH: 2 FEET GRAVEL BELOW PIPE: 1 FT.
DRAWN BY: [Signature] CHECKED BY: WSB DATE: 9/15/81

NAME: BEN STOVALL RESERVATION: CUYAPAIFE PROJECT: 78-702

SEPTIC TANK & DRAINFIELD LOCATION
"AS-BUILT" DRAWING

WILMA
HYDE

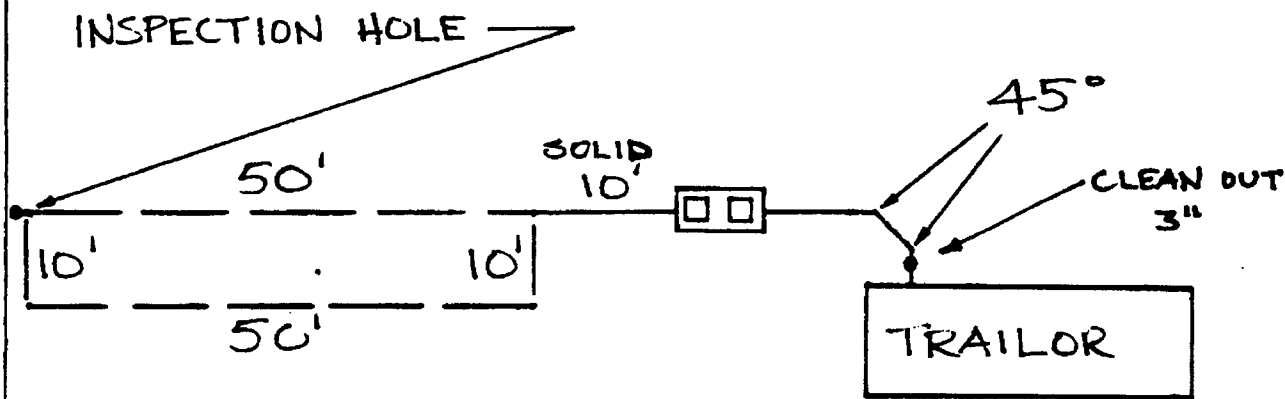


NO. OF BEDROOMS: 2 SEPTIC TANK SIZE: 1000 GALLONS PERC RATE: 3 MIN/IN
DRAINFIELD LENGTH: 100 FEET WIDTH: 2 FEET GRAVEL BELOW PIPE: 1 FT.
DRAWN BY: Ben Stovall CHECKED BY: W.S.B. DATE: 9/15/81

NAME: W. HYDE

RESERVATION: UYAPAIPE PROJECT: 78-702

SEPTIC TANK & DRAINFIELD LOCATION
"AS-BUILT" DRAWING



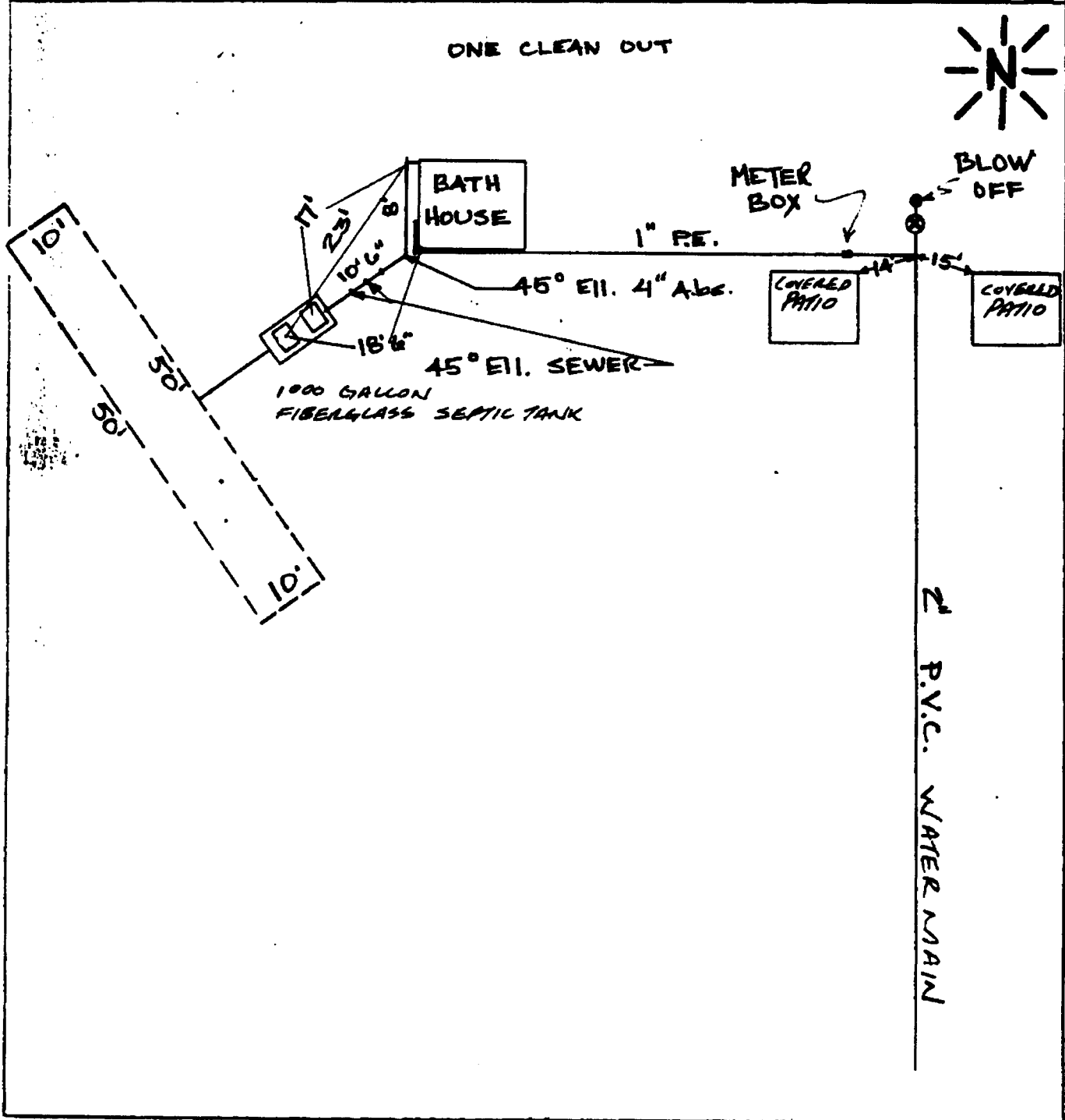
LEVEL DISTRIBUTION

6/15/83
THIS IS FOR
WILMA'S OLD
SITE. NO
TRAILER IS THERE
NOW. WSB

NO. OF BEDROOMS: 1 SEPTIC TANK SIZE: 1000 GALLONS PERC RATE: 3 MIN/IN
DRAINFIELD LENGTH: 100 FEET WIDTH: 2 FEET GRAVEL BELOW PIPE: 1 FT.
DRAWN BY: RS CHECKED BY: WSB DATE: 9/15/81

NAME: COMMUNITY CENTER RESERVATION: CUYAPAPE PROJECT: 78-702

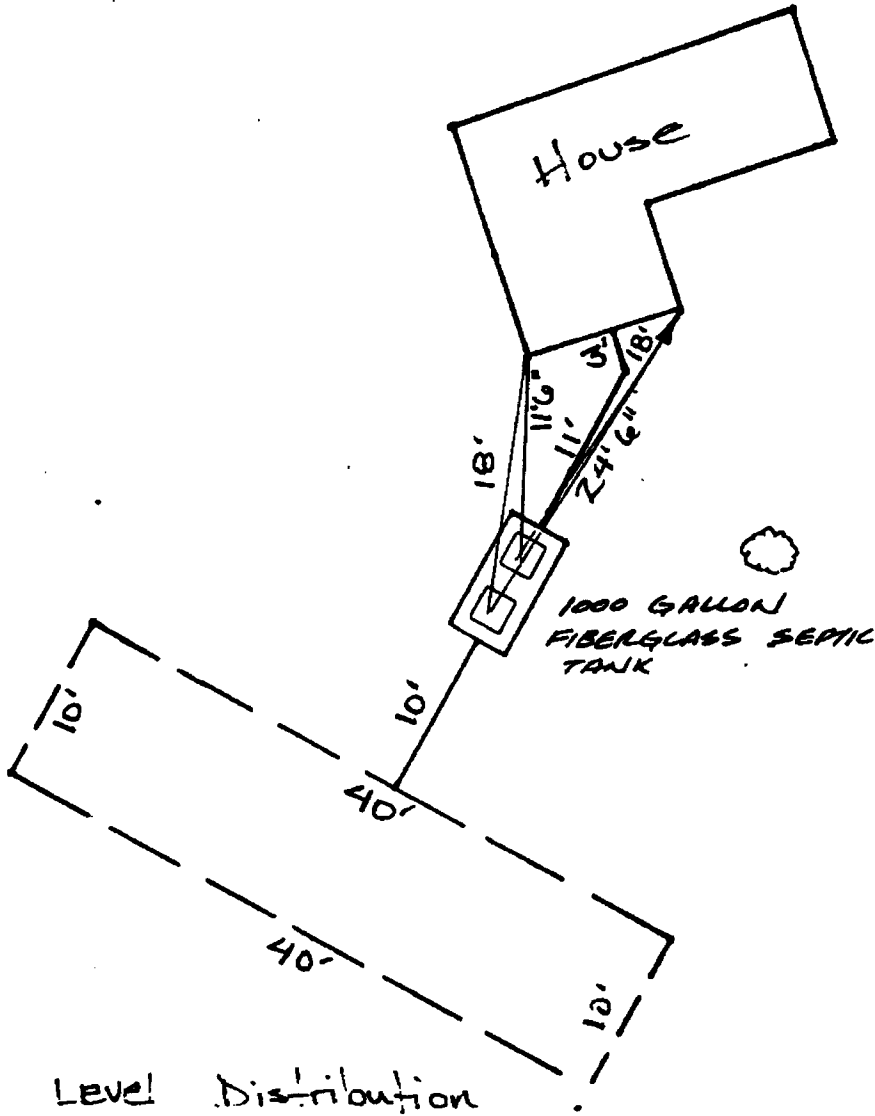
SEPTIC TANK & DRAINFIELD LOCATION
"AS-BUILT" DRAWING



NO. OF BEDROOMS: — SEPTIC TANK SIZE: 1600 GALLONS PERC RATE: 3 MIN/IN
 DRAINFIELD LENGTH: 120 FEET WIDTH: 2 FEET GRAVEL BELOW PIPE: 1 FT.
 DRAWN BY: [Signature] CHECKED BY: WEB DATE: Aug. 10, 1981.

NAME: R Lachapelle RESERVATION: Cuyapaise PROJECT NO: 78-702

SEPTIC TANK & DRAINFIELD LOCATION
"AS-BUILT"



* FIBERGLASS *

NO. OF BEDROOMS: 2 SEPTIC TANK SIZE: 1000 GALLONS PERC RATE: 3 MIN/IN
DRAINFIELD: LENGTH: 100 FEET WIDTH: 2 FT. GRAVEL BELOW PIPE: 1 FT.
DRAWN BY: [Signature] CHECKED BY: WSB DATE: Aug. 3-81