



Elevator specialists in interiors, cabs & components.

ProCab
Elevator Interior Systems

20

27



**CUSTOM DESIGN
MANUFACTURE
COMPONENTS**



Elevator specialists in interiors, cabs & components.

EFS has established a team of salespeople, designers, fabricators and installers that are trained and certified and take pride in the product and serving our customers.

EFS specializes in the design and manufacture of commercial and residential elevators and lifts and boasts a strong customer base in the southeastern United States. EFS customers include Condo Owners Associations, Hotels & Resorts, and other prominent commercial businesses. Elevator Company's are also key customers and ours include:

- Bagby Elevator
- Cavinder Elevator
- Diversified Elevator
- Oracle Elevator
- Otis Elevator
- Schindler Elevator
- TEAM Elevator
- TEI Elevator
- TK Elevator

We offer a variety of elevator & lift renovation packages including:

- Economy
- Standard
- Custom

Take a look at our

ProCab

Elevator Interior Systems



TABLE OF CONTENTS

01

**Elevated Fabrication Systems
(EFS)**

02

**ProCab Elevator Interior
Solutions**

03

**ProCab Elevator Interior Solutions
Continued**

04

Custom Elevator System

05

Cladding

06

Ceilings

07

Components

08

Elevator Shells/Platforms/Mechanics

09

Gallery

10

Contact

ProCab

Elevator Interior Solutions

Our **ProCab Elevator Interior Solutions** includes:

- 7 Panel Vertical & 12 Panel Horizontal Design
- Stainless Reveals & Stainless Bases
- 6 Panel aluminum drop ceiling with LED down light
- 1 Rear Handrail
- Additional options available

7 PANEL

ProCab Package



HORIZONTAL PANEL

ProCab Package



10 Panel

Custom



CUSTOM ELEVATOR INTERIOR

Your Buildings 2nd, 1st Impression!

We design and build beautiful elevator interiors for commercial, industrial and private applications. Working with our clients to create a unique space that is not only functional but also fits the aesthetic of the building is our goal.

We offer a variety of components, finishes and options for our elevator interiors, such as:

- Glass panels
- Stainless steel panels
- Wood panels
- LED lighting
- Custom graphics and branding
- Options for durability and least visual everyday wear

When applicable, EFS provides renders to allow clients to preview their custom design.



CLADDING

Elevator Cladding can make the first impression before stepping into an elevator. Cladding is precisely fabricating a cover or fascia to enhance or make older worn product look new without full replacement. Cladding is always visible to the public including transom cladding, entrance cladding, window cladding, return cladding and elevator door cladding.



CEILINGS

Ceilings and lighting have a significant impact on comfort and overall feel when in an elevator. Our designers study the building and business and recommend the most compatible product.



EFS specializes in fabricating 3 major elevator ceilings:

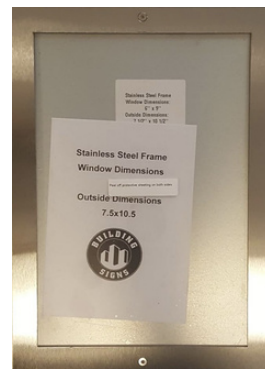
- Suspended Acrylic Panels
- Suspended Stainless LED Panels with LED Downlight
- Custom Choice Covering



COMPONENTS

Elevated Fabrications Systems offers additions and components to compliment and protect the aesthetic integrity, comfort and safety of the elevator. These components consist of but are not limited to:

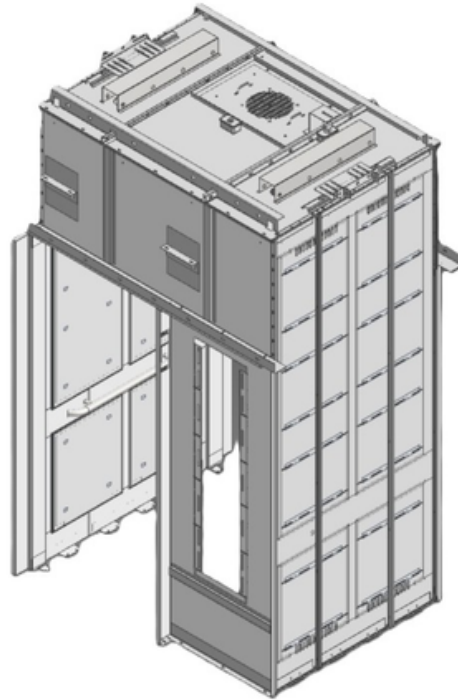
- Handrails
- Wall Pads
- Certificate Frames
- Car Top Fan
- Beauty Rings
- Braille Plate



All components are fabricated to federal and state code when applicable

SHELLS/PLATFORMS/MECHANICS

EFS fabricates all types of elevator shells, platforms, sling and other mechanical components. Our fabrication team has over 40 years combined experience. Using their skill and experience, each product is custom made for ease of install to specs provided.



GALLERY



CONTACT

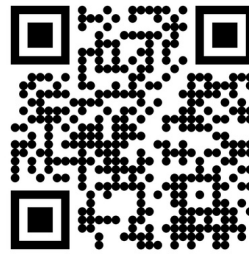
Call or email us for a custom quote today.
www.elevatedfabricationsystems.com



Steve



Hayden



<https://elevatedfabricationsystems.com/>

