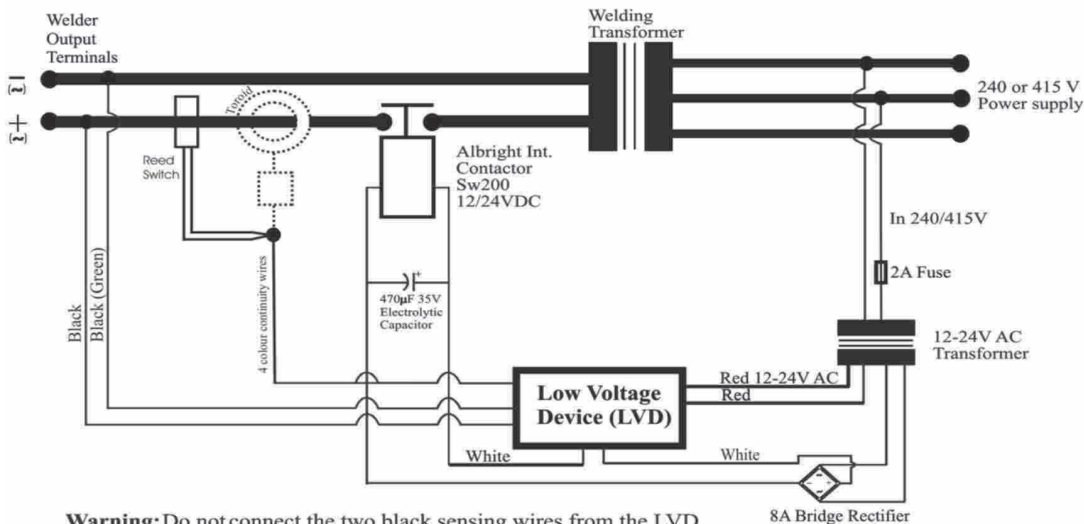
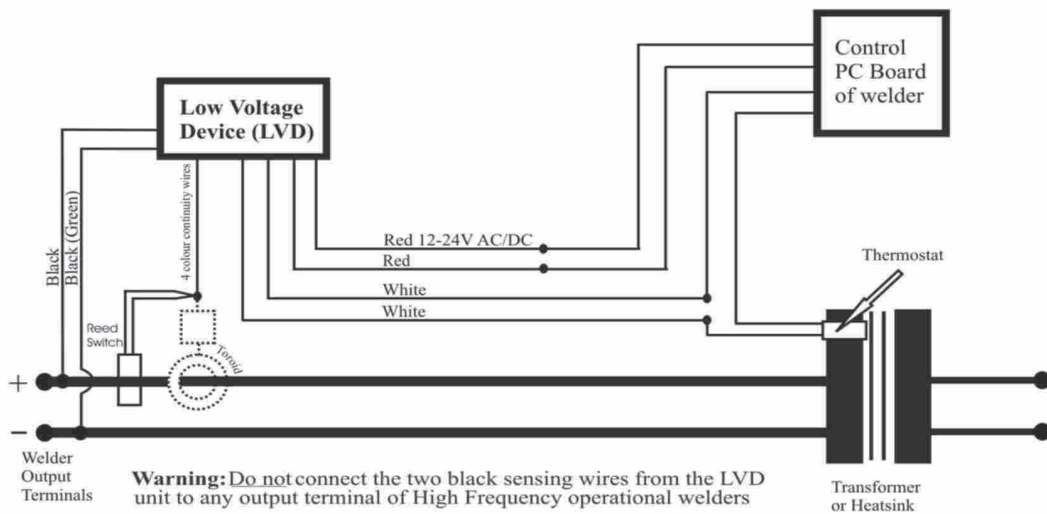


AC/DC WELDER WITH CONTACTOR



Warning: Do not connect the two black sensing wires from the LVD unit to any output terminal of High Frequency operational welders

DC WELDER WITH THERMOSTAT

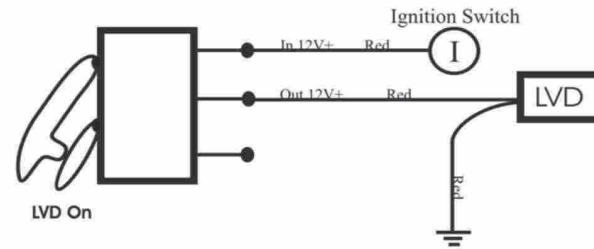


Warning: Do not connect the two black sensing wires from the LVD unit to any output terminal of High Frequency operational welders

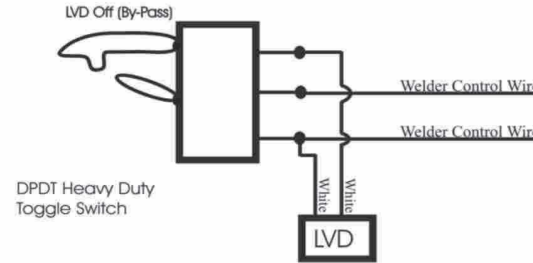
MISSILE SWITCH COMBINATION

Can be used for bypassing LVD device for additional welding processes if full OCV is required.

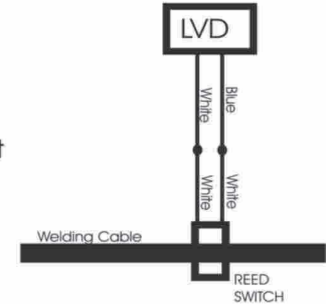
1 Connection of Power supply to the LVD unit



2 Connection of control wires from welder to LVD Unit



Reed Switch Connection



ENGINE DRIVEN MACHINES

