

8 Elevation - Showing all 3 variations

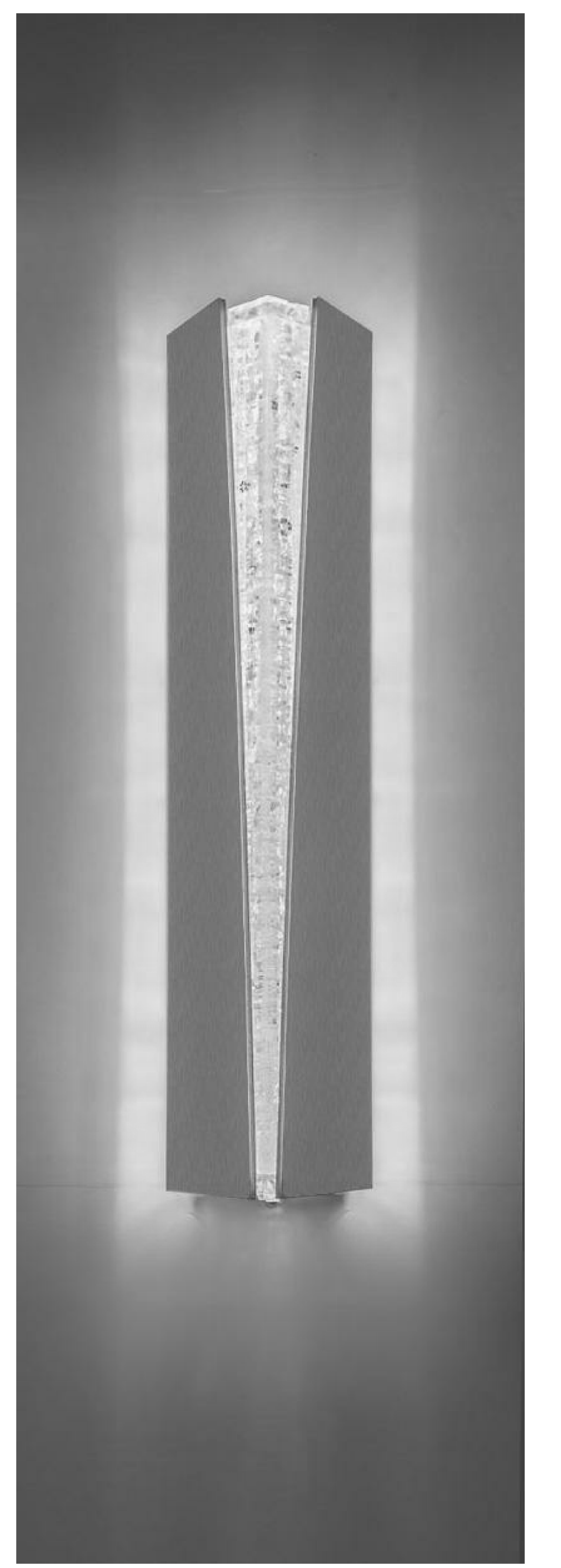
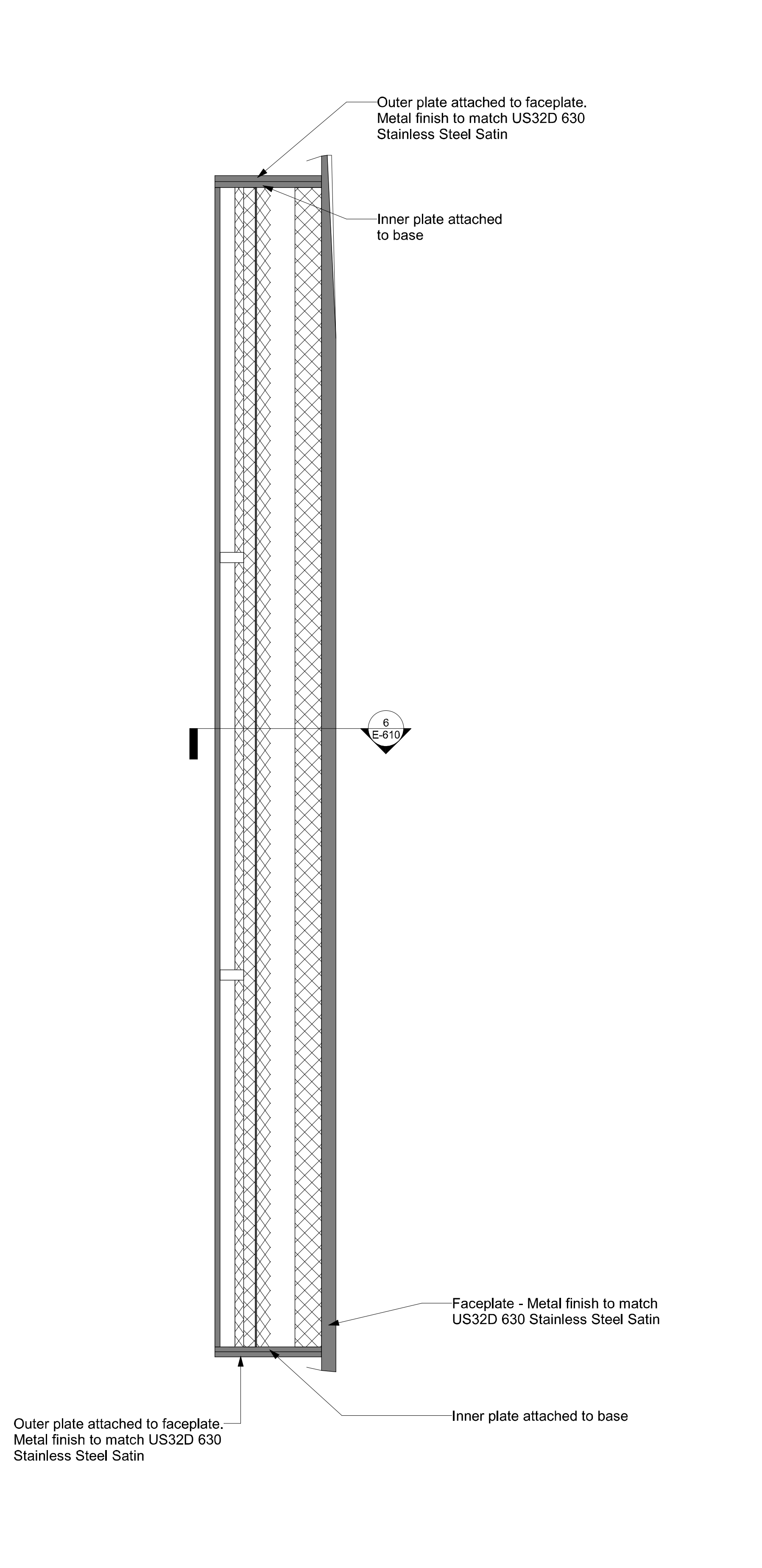
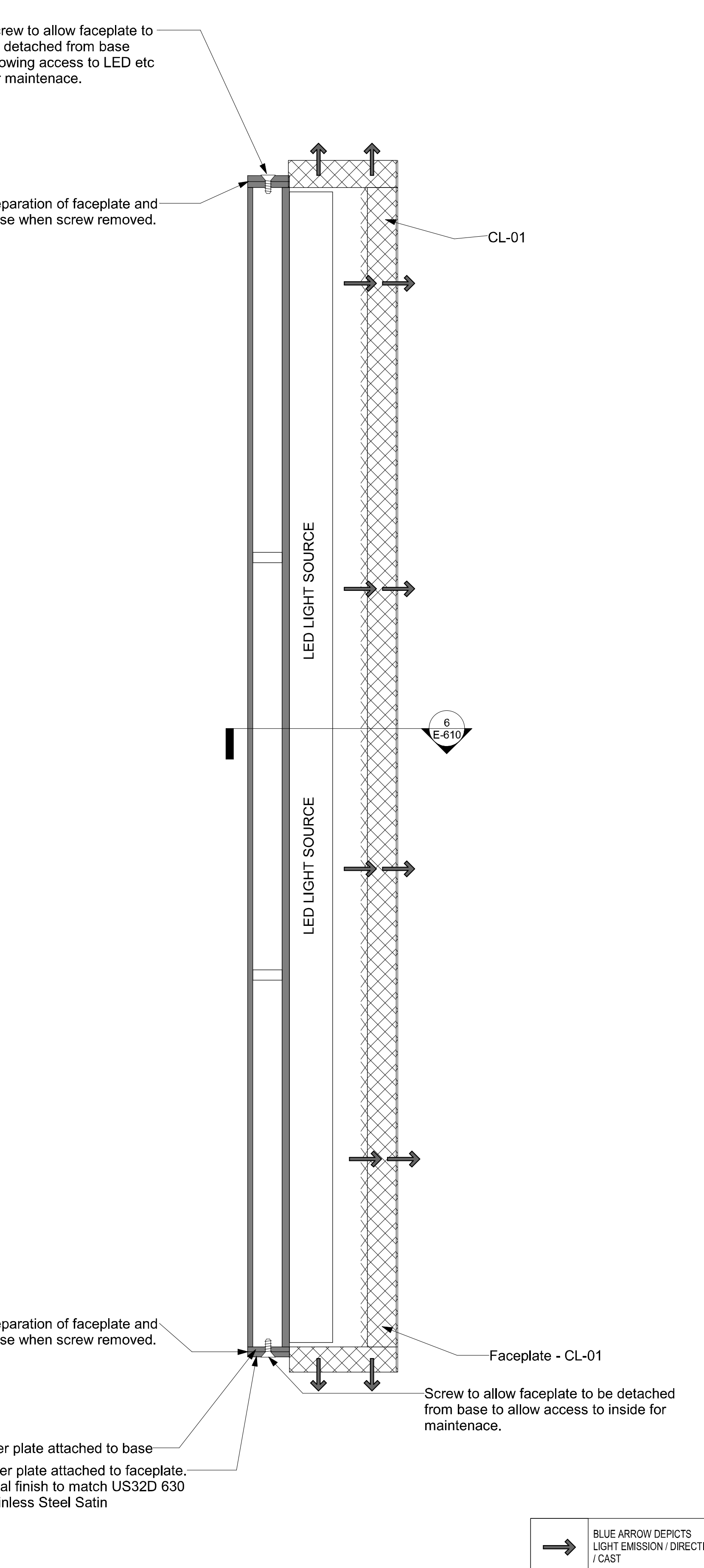
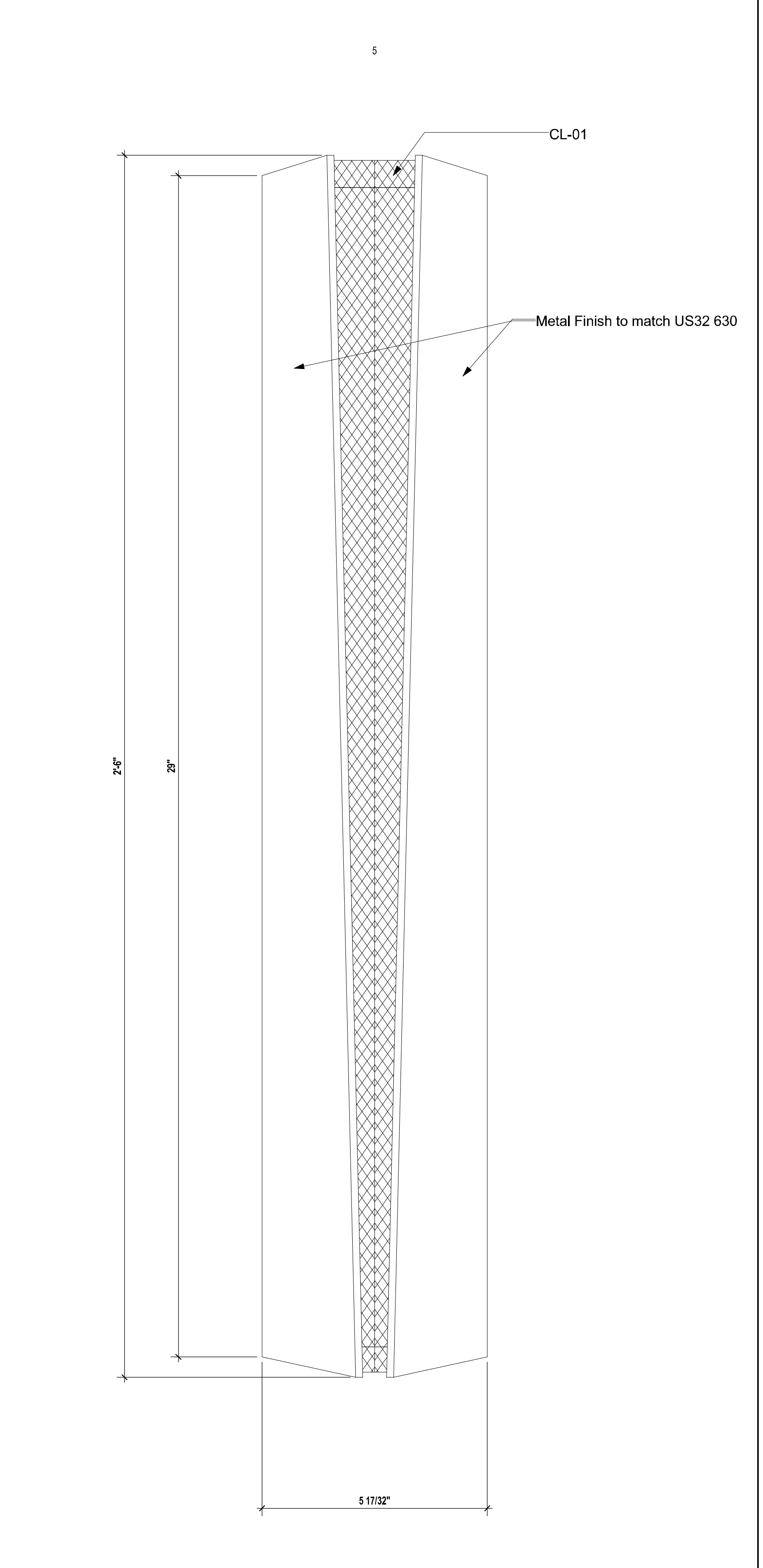
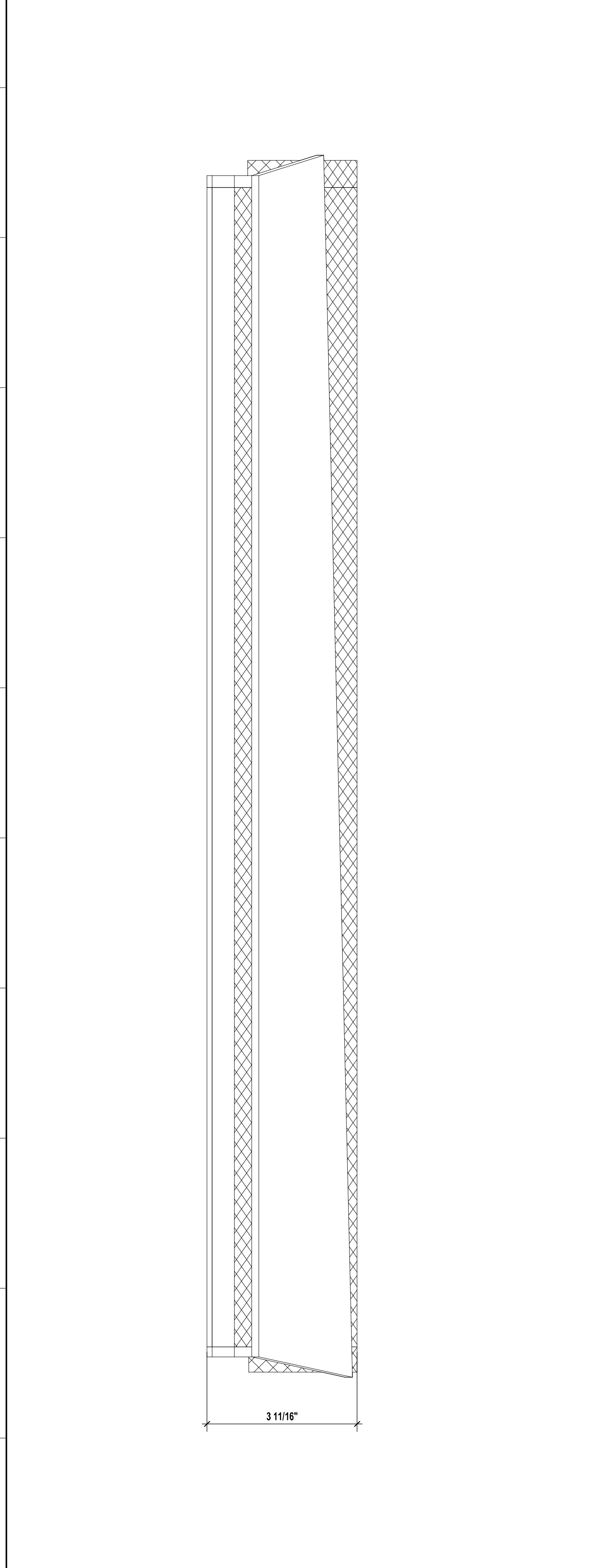
3 Top

6 Cross Section - For actual cut sheet

1 1/2" = 1'-0"

6" = 1'-0"

12" = 1'-0"



2 Elevation Front

5 Centerline Long Section

7 Section 3 - For actual cut sheet

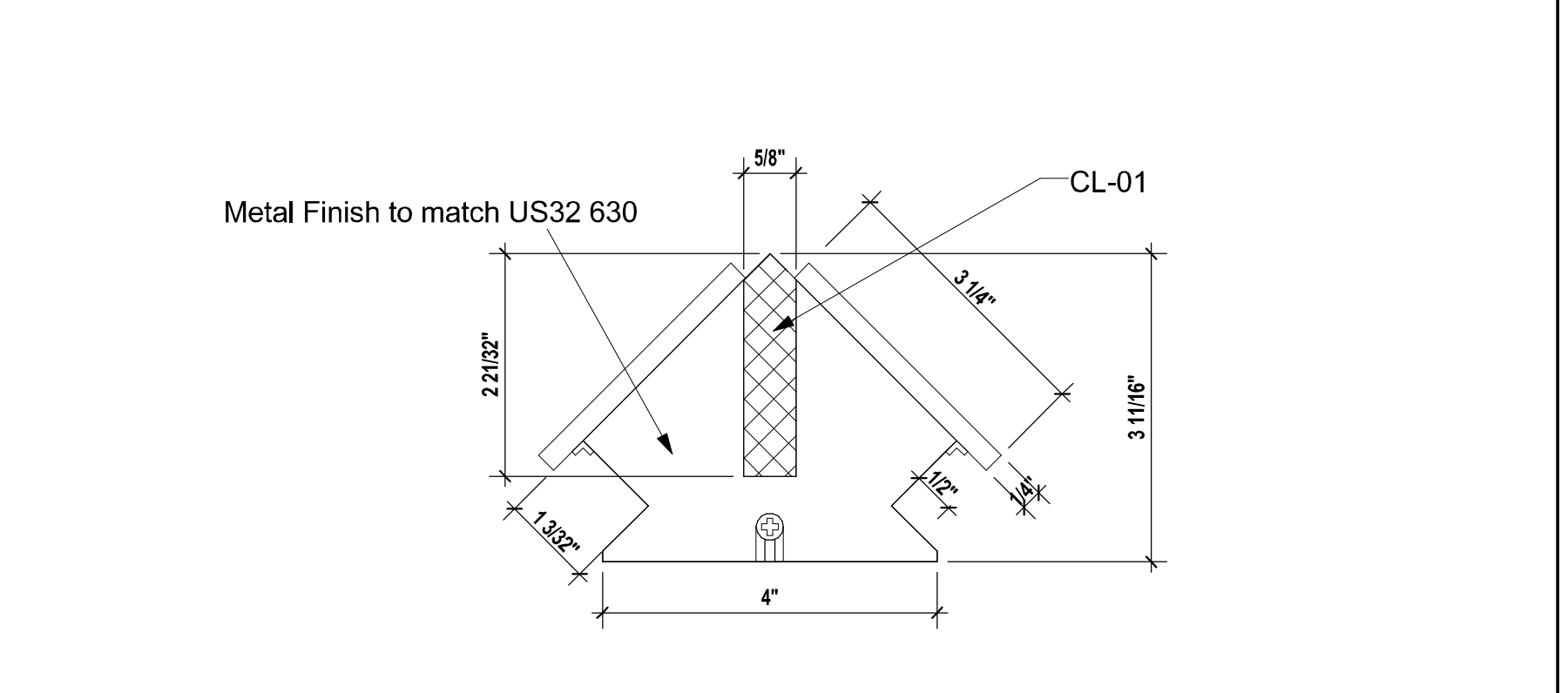
PHOTOGRAPHS OF ARCHITECTURAL MODEL MOCK UP

6" = 1'-0"

6" = 1'-0"

6" = 1'-0"

Not to Scale



LEDS:

- FLEXIBLE LED TAPE LIGHT. SEE LUMINAIRE SCHEDULE FOR TAPE LIGHT SPECIFICATIONS.
- PROVIDE 120V INTEGRAL DMX DRIVER.5

CL-01 - Clear faceted product
A clear product, lasercut in 0.25" layers from acrylic/resin/glass with interstitial cuts that leave very limited clear space between. These layers are then stacked and glued together to make a product of the dimensions required for the piece (see drawings to the left). Applied to the inside face of this finished product, facing the LED light source, is a Dichroic film. The Dichroic film has a magenta/yellow color in transmission and gold/green/blue color in reflection.

For reference only the basis of design was the product - Sensitle, Resin, Jali, 100% density, 1/4 grain width, Dichroic 3M backer (DF // CHILL 98-0406-0049-0)

3 Custom light fixture variants

20" tall version at Balcony fronts - 16 total
30" tall version at Lower Orchestra level pilasters - 10 total
40" tall version at Balcony level pilasters - 8 total

Design is basically stretched for each version from the center of the fixture. The end conditions (width of opening showing the clear material, width of metal faceplates etc) is the same. The angles of parts between the end conditions is a different angle to compensate.

SUBMIT FULL SHOP DRAWINGS AND FULL SCALE SAMPLES FOR ALL CUSTOM FIXTURES.
ALL ELECTRICAL COMPONENTS ARE TO BE UL LISTED.

4 Elevation Left

1 Bottom

6" = 1'-0"

6" = 1'-0"

S:\16_2017_328\34 - 36-4 - replace\ANSI.dwg - Theater - Custom Light Fixture - The Light - 2017_06_01.dwg

AUBURN UNIVERSITY
Facilities Management
1161 West Samford Avenue
Auburn University, AL 36849
Phone: (334) 844-9450
Fax: (334) 844-9458
Safety is our first priority.
Think Safety. Act Safely.

No. Revision Date
1 BPP FINAL DESIGN 09/10/17

SEAL
L. A. B. A. M.
LICENSED PROFESSIONAL ENGINEER
No. 33778-E
Professional Engineering Group
300 Peachtree Center Avenue, NE
Atlanta, Georgia 30303-1277
www.laebam.com
L.A.B.A.M. Project No. 16077
NSB PROJECT: 16077

Newcomb & Boyd
CONSULTANTS AND ENGINEERS
Consulting Engineering Group
300 Peachtree Center Avenue, NE
Atlanta, Georgia 30303-1277
www.newcomb-loyd.com
L.A.B.A.M. Project No. 16077
NSB PROJECT: 16077

Wilson Butler Architects
70 Federal Street, Boston, MA 02101 (617) 251-7158 | www.wilsonbutler.com

The Jay and Susie Gogue
Performing Arts Center
AU: 15-158 ABC: 2016559
WBA: 21515

SHEET TITLE:
ELECTRICAL
DETAILS

DATE:
Today

FILE NUMBER:

PROJECT NUMBER:
AU: 15-158
ABC: 2016559
WBA: 21515

SHEET NUMBER:
E-610