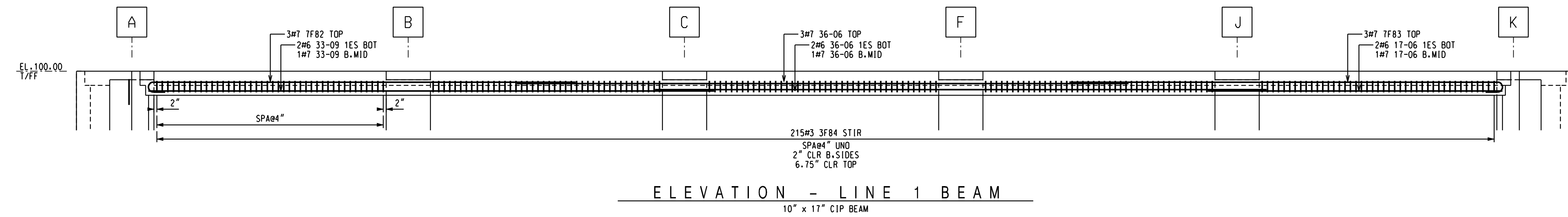
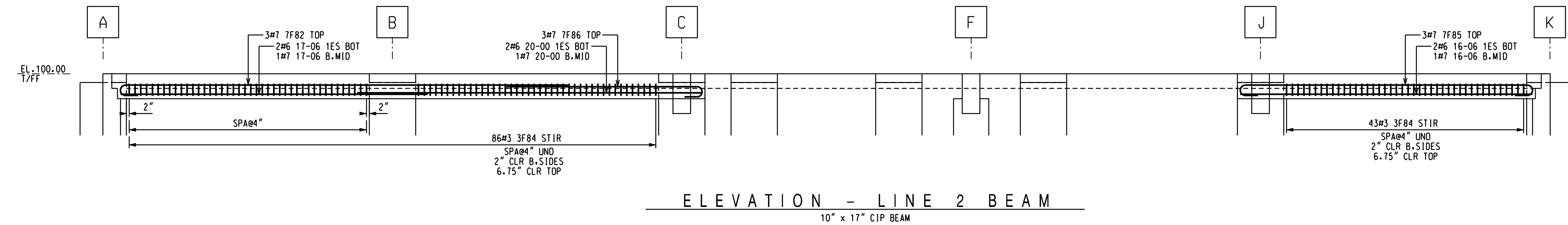


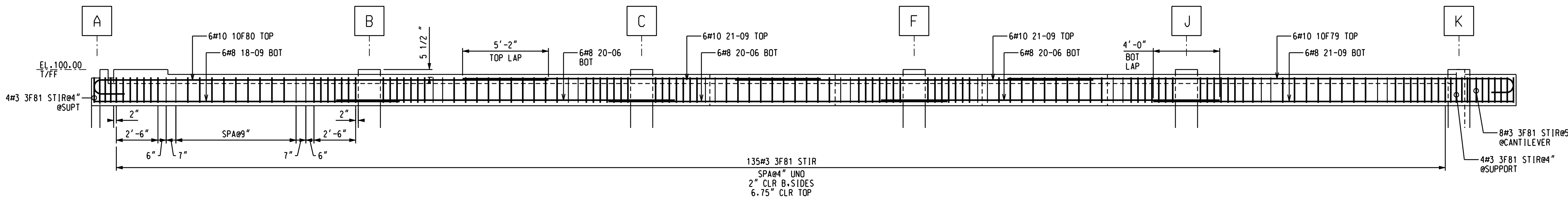
ELEVATION - LINE H BEAM  
8' x 16' CIP BEAM



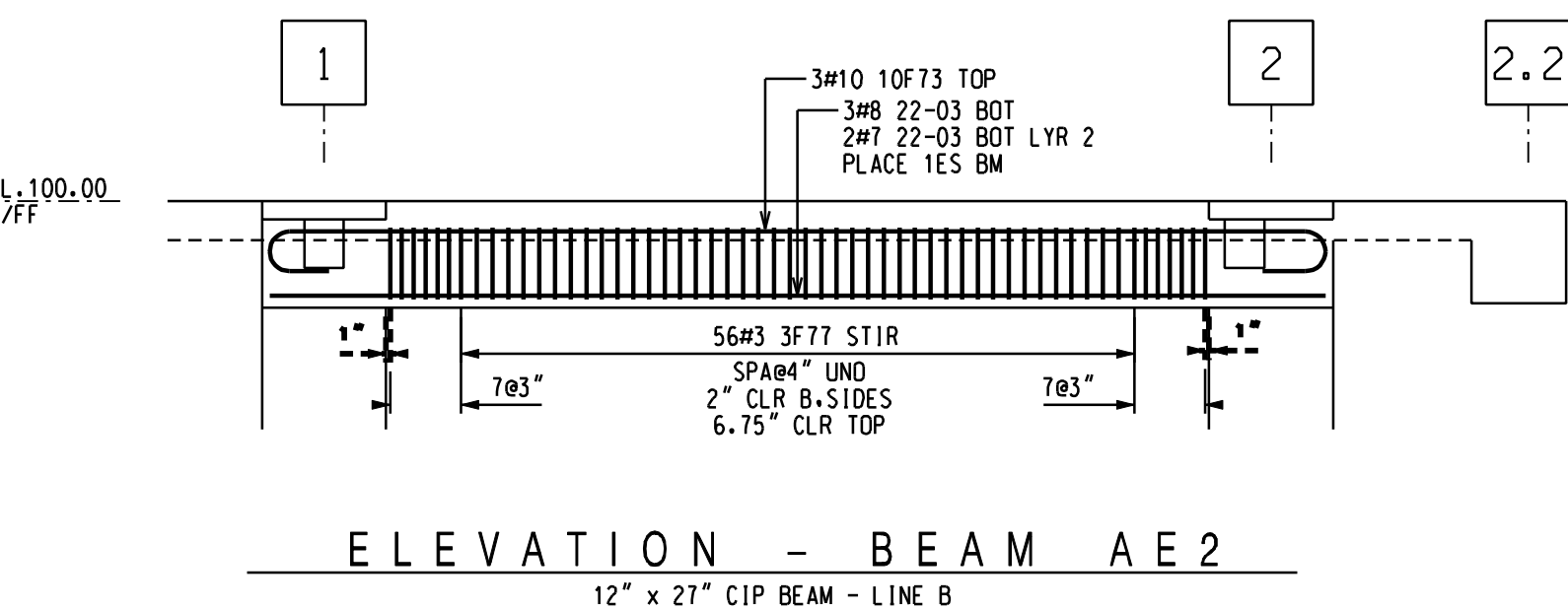
ELEVATION - LINE 1 BEAM  
10' x 17' CIP BEAM



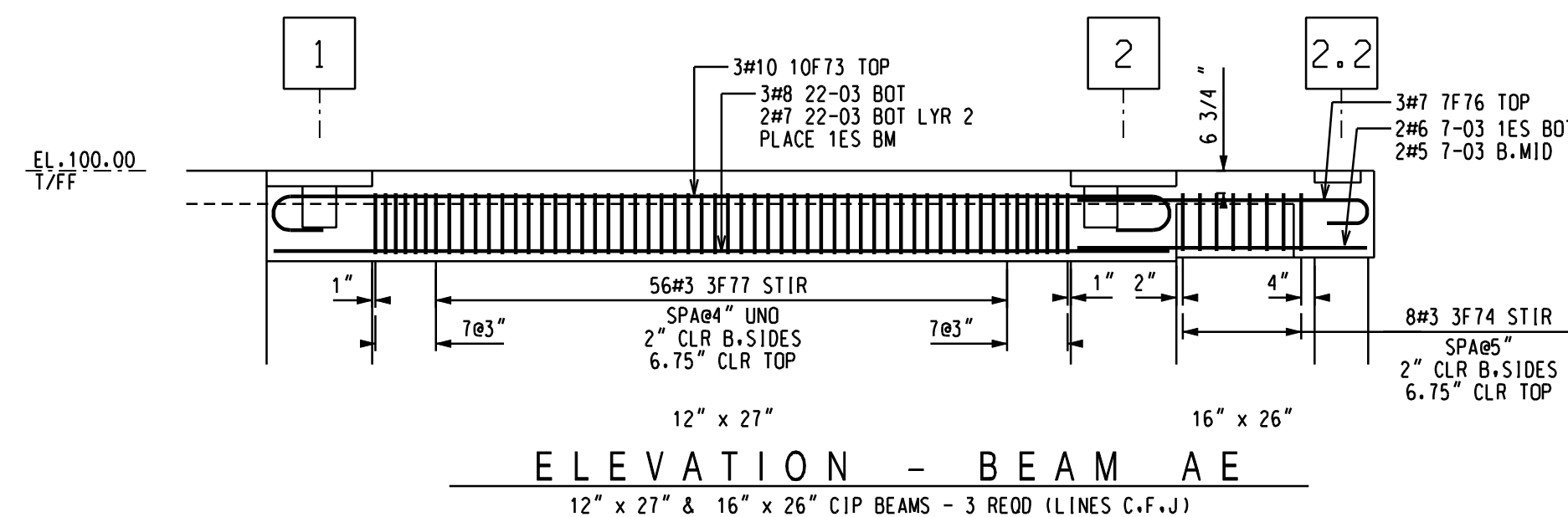
ELEVATION - LINE 2 BEAM  
10' x 17' CIP BEAM



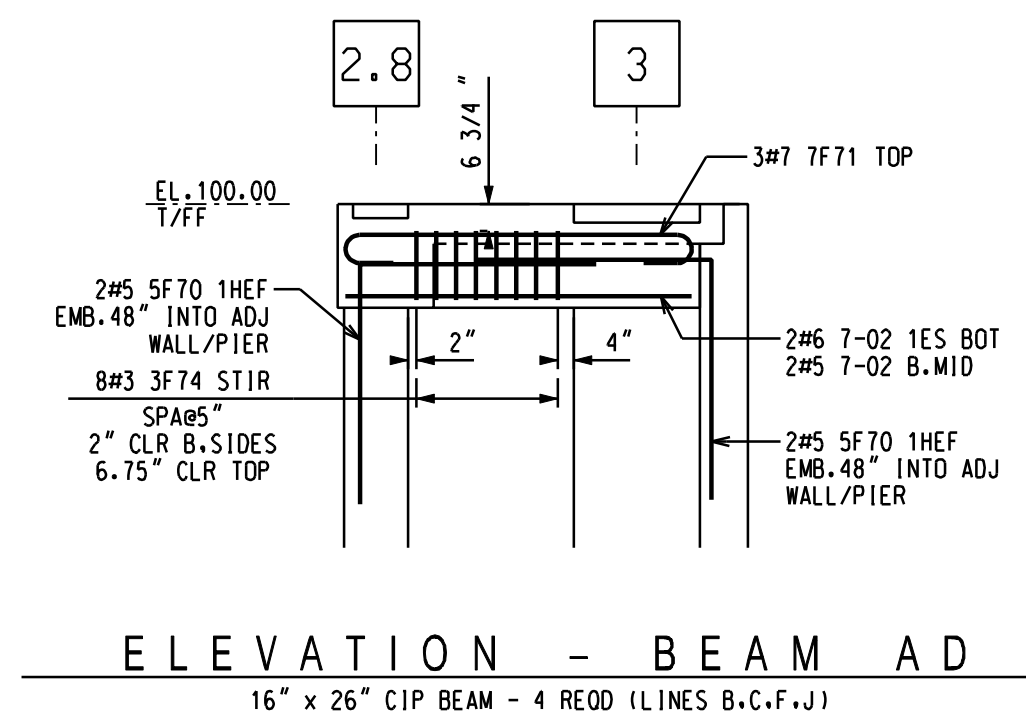
ELEVATION - BEAM AC  
24' x 26' CIP BEAM - LINES 2.2 (SHOWN), 2.8



ELEVATION - BEAM AE2  
12' x 21' CIP BEAM - LINE B

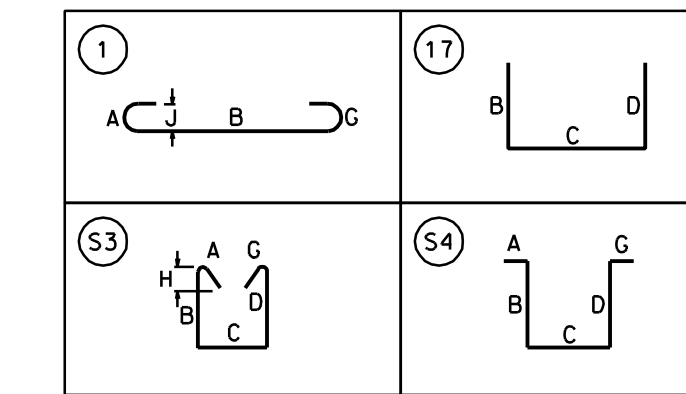


ELEVATION - BEAM AE  
12' x 21' & 16' x 26' CIP BEAMS - 3 REED (LINES C,F,J)



ELEVATION - BEAM AD  
16' x 26' CIP BEAM - 4 REED (LINES B,C,F,J)

SIZE	EP	BAR MARK	V	BND TYP	CD	BENDING DIMENSIONS														
						A	B	C	D	E	F/R	G	H	J	K	O				
10		10F73		1		1-05	22-03													
10		10F79		1		1-05	30-06													
10		10F80		1		1-05	27-09													
7		7F63		17		1-00	26-09													
7		7F65		17		1-00	21-06													
7		7F71		1		0-10	7-02													0-10
7		7F76		1		0-10	7-02													
7		7F82		1		0-10	25-06													
7		7F83		1		0-10	26-00													
7		7F85		1		0-10	16-06													0-10
7		7F86		1		0-10	11-06													
5		5F70		17		5-00	5-00													
3		3F66		S4		0-04	1-00	0-04	1-00											0-04
3		3F74		S3		0-04	1-051	1-00	1-051											0-04
3		3F77		S3		0-04	1-061	0-08	1-061											0-04
3		3F81		S4		0-04	1-062	1-08	1-062											0-04
3		3F84		S4		0-04	0-081	0-06	0-081											0-04



**ABBREVIATIONS**

- BOT. - BOTTOM
- C.B. - CORNER BAR
- COL. - COLUMN
- DWLS. - DOWELS
- E.E. - EACH END
- E.F. - EACH FACE
- E.S. - EACH SIDE
- E.W. - EACH WAY
- F.A. - FIELD ADJUST
- F.F. - FAR FACE
- FTG. - FOOTING
- HOR. - HORIZONTAL
- I.F. - INSIDE FACE
- L.F. - LONG WAY
- L.W. - LONG WAY
- N.F. - NEAR FACE
- O.F. - OUTSIDE FACE
- SHT. - SHEET
- S.W. - SHORT WAY
- STR. - STRAIGHT
- T&B. - TOP & BOTTOM
- VERT. - VERTICAL

ALL REINFORCING STEEL  
TO BE ASTM A615 - GRADE 60

