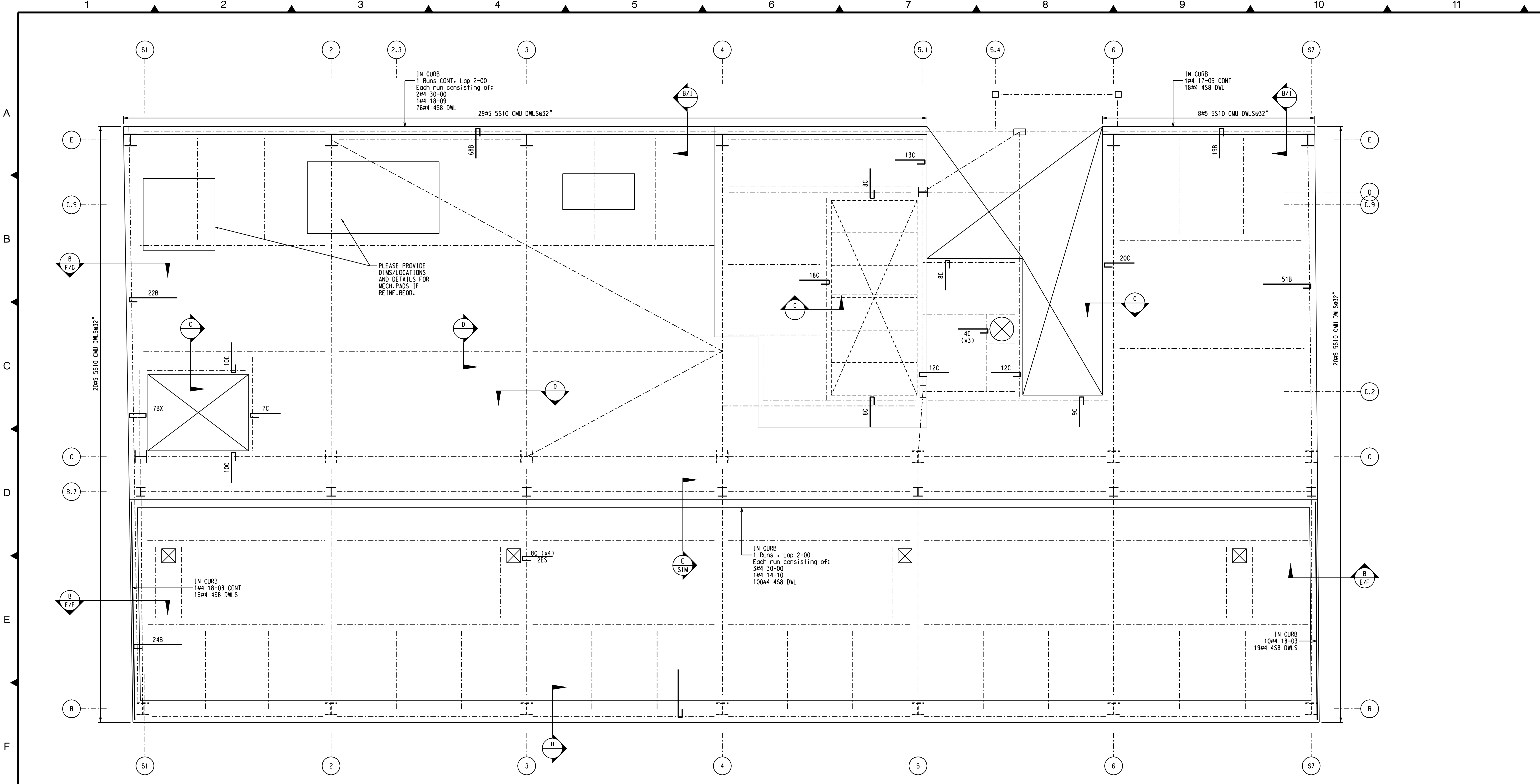
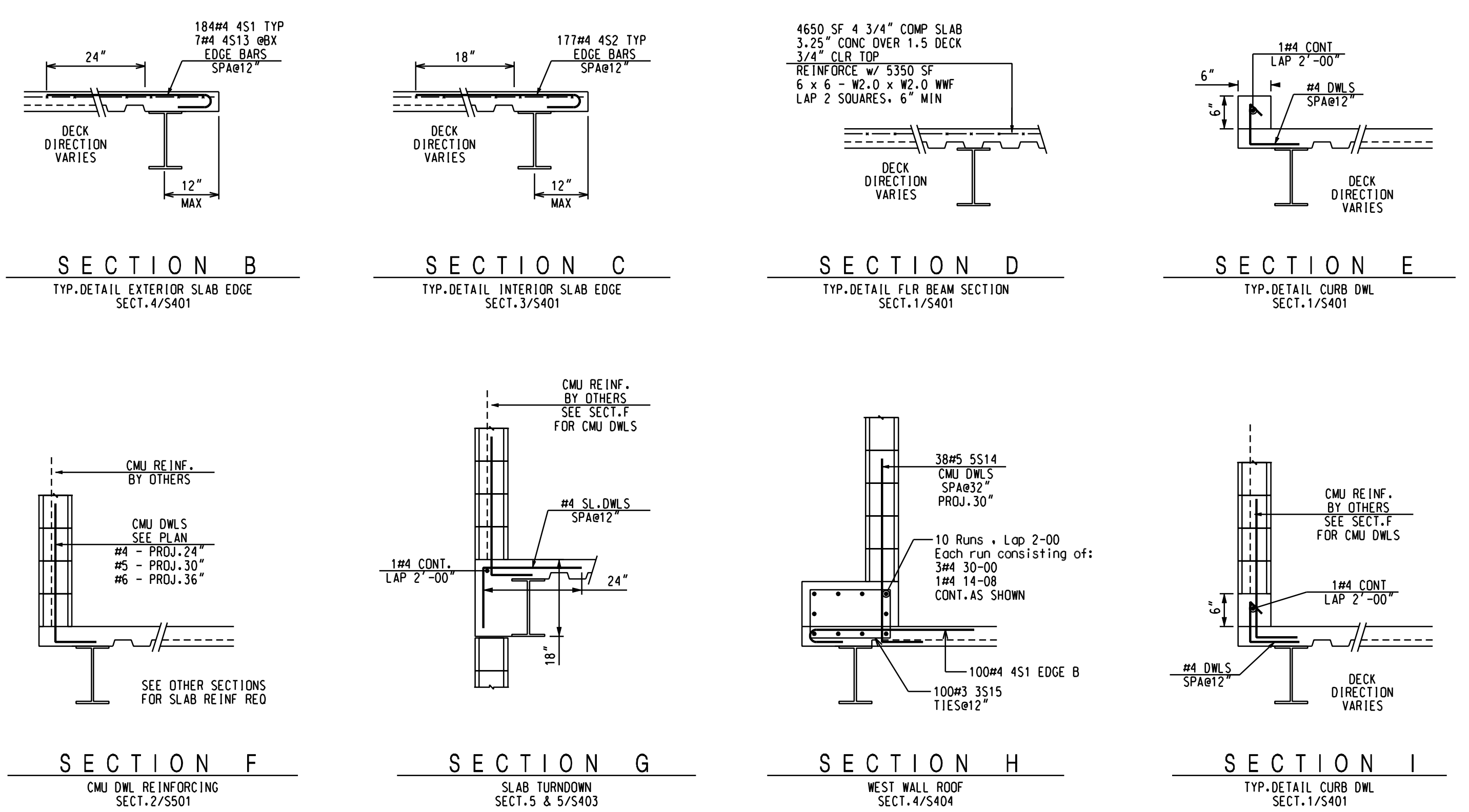


SIZE	EP	BAR MARK	BND V TYP	CD	BENDING DIMENSIONS												
					A	B	C	D	E	F/R	G	H	J	K	D		
5	5510		2		0-10	3-00											
5	5514		2		0-10	3-09											
4	451		1		0-06	4-00											
4	452		1		0-06	2-06											
4	458	T9			0-042	0-07									1-00		
4	4513		1		0-06	1-04									0-06		
3	3515		T1		0-04	1-072	0-11	1-072	0-11	0-04							



PLAN - ROOF SOD REINFORCING  
T/SLAB EL. 135.42



PLEASE NOTE:  
THIS REINFORCING STEEL PLACING DRAWING IS TO BE USED IN CONJUNCTION WITH CONTRACT DRAWINGS AND SPECIFICATIONS. ALL ELEVATIONS AND DIMENSIONS SHOWN ON THIS DRAWING ARE FOR THE REINFORCING DETAILING AND PLACING ONLY. THEY SHOULD NOT BE USED FOR CONSTRUCTION WITHOUT THE VERIFICATION AND APPROVAL OF THE PROJECT ENGINEER OR CONTRACTOR.

