

Project:		Item #:		Approved:	
Location:		Type:		Date:	

LCCR-7071 LED Emergency Light

FEATURES & BENEFITS

- 2 X 1W fully adjustable lamp heads
- Wall and ceiling mounting
- Suitable for Damp Locations
- UL 924 and CEC Title 20 Compliant

SPECIFICATIONS

Illumination: 2PCS 1W SMD LED total 2W Housing: Injection-molded thermoplastic ABS

UL-94-V0 flame-retardant, fire-resistant Input

Voltage: 120/277VAC 60Hz

Input Rating: 0.9W, 150mA

Battery: Maintenance-free 3.6V NiCad battery Operating Temperature: 0°C to 40°C (32°F to 104°F) Charging time: 24 hours

Discharge time: 90 minutes

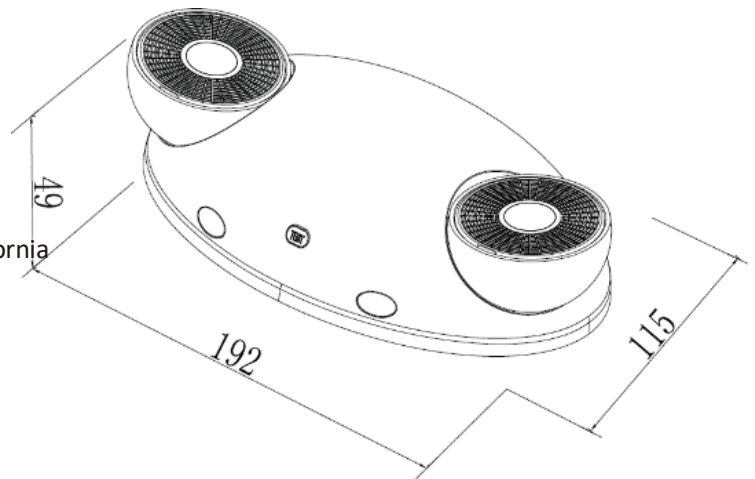
Mounting: Wall and ceiling

Finish: White

Dimension: 192*115*49mm

Certifications: UL 924 Listed for Damp Locations

Meets NFPA 101 Life Safety Code, NEC, OSHA California Energy Commission (CEC) Title 20 Compliant



ORDER INFORMATION

Model	Voltage	Power	Discharge Time	Certificate
CR-7071	120/277V	2W	90 minutes	UL
CR-7071D	100-240V	2W	180 minutes	/