

Project:	Catalog #: LCEM060	Approved by:
Location:	Type:	Date:



Wall Washing

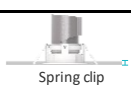



DESCRIPTION

BELLA-Hotel series is not only an aesthetic designed downlight but also releases high quality light thanks to combination of a precision light beam lens and secondary reflector. The luminaires blend elegantly into the ceiling layout and embody the philosophy of "light instead of luminaires." Super modular design, round as well as square with adjustable and fixed options, in various wattages, BELLA-hotel series is a great choice to get a unified impression in one environment.

FEATURES

- Elegant & compact in its style, versatile in its use.
- Precise light control, 15°, 24°, 38°, 55° beam lens options.
- Interchange different color secondary reflectors for anti-glare and decorative function.
- Super modular design, replacing LED module, trims, beam lens, honeycomb filter and secondary reflectors without any need for tools.
- 355° rotation and 30° tilt.
- Anti-glare accessories provide maximum visual comfort.
- Service the LED optics and Driver from above the ceiling

		LCEM060	
WATTAGE		10W	13W
LUMEN OUTPUT		920lm	1248lm
BEAM OPTICS	Narrow Spot <input type="radio"/>	15°	
	Spot <input type="radio"/>	24°	
	Flood <input type="radio"/>	38°	
	Wide Flood <input type="radio"/>	55°	
	Wallwash <input type="checkbox"/>	Wall Washing	
COLOR TEMPERATURE		Static White: 2700K, 3000K, 3500K, 4000K	Dim To Warm: 2000K-3200K
COLOR QUALITY		80+/90+, 3-step SDCM	
INPUT WATTAGE		10W	13W
INPUT VOLTAGE		120/277V input, 50/60Hz	
POWER FACTOR		Greater than 0.9	
DIMMING TYPE		Triac dimming & 0-10V dimming range: 1%~100%	
CEILING THICKNESS:		 3/64" - 25/32" (1mm-20mm) Spring clip	
INSTALLATION		New Construction,	Remodel, IC Rated Housing
LISTINGS 		ETL Listed to US and Canadian standards for damp locations. (IC) ETL listed for direct contact w/insulation.	
WARRANTY		5-year limited warranty	
AMBIENT OPERATING TEMPERATURE		-20°C to 40°C	
SYSTEM RATING		80% of initial lumens at 50000 hours (L80)	



1.

Project:	Catalog #:	Approved by:
Location:	Type:	Date:

ORDERING INFORMATION

EM060	EF	6	1								
LED Module	Trim	Dimensions of Trim	Application	Trim Shape	Trim Style	Flangeless Trim	Safety Standard	Voltage	Lumen Output	Dimming Methods	Including Housing
EM060	EF	6 Nominal size: 60mm	1 Hotel	RA Round adjustable RF Round fixed SA Square adjustable	01 Standard 02 Wall Washing 03 Wall Washing Dual-head 04 Wall Washing Triple-head	F Flangeless Trim	A American standard	SV 120V MV 120-277V	L08 900lm L13 1300lm	V 0-10V T Triac X 0-10V/Triac	C New Construction R Remodel H Housing

ACCESSORIES (TO BE ORDERED SEPARATELY) FOR INSTALLATION CONSULT THE INSTRUCTION SHEET

OPTICAL ACCESSORY <input type="checkbox"/> HONEYCOMB FILTER EM060-H 		<input type="checkbox"/> SOFT LENS EM060-L 		SECONDARY REFLECTOR COLOR <input type="checkbox"/> BLACK EF61RA-SB EF61RF-SB EF61SA-SB 		<input type="checkbox"/> BRIGHT SILVER EF61RA-SS EF61RF-SS EF61SA-SS 		<input type="checkbox"/> MATT SILVER EF61RA-SM EF61RF-SM EF61SA-SM 		<input type="checkbox"/> MATT WHITE EF61RA-SW EF61RF-SW EF61SA-SW 	
--	--	---	--	---	--	---	--	---	--	--	--

LUMEN MULTIPLIERS

CCT	MULTIPLIER
2700K	0.95
3000K	1.00
3500K	1.03
4000K	1.06

CRI	MULTIPLIER
80+	1.23
90+	1.00

STANDARD TRIM	MULTIPLIER
EF61RA01 (Round adjustable)	1.00
EF61RF01 (Round fixed)	0.95
EF61SA01 (Square adjustable)	0.97

WALL WASHING TRIM	MULTIPLIER
EF61RF02 (Round fixed)	1.00
EF61SF02 (Square fixed)	0.99
EF61SF03 (Square fixed Dual-head)	1.20
EF61SF04 (Square fixed Triple-head)	1.85

Applying Lumen Multipliers to Calculate Delivered Lumens

Base Fixture Delivered Lumens (from PHOTOMETRIC DATA)	x	CCT Multiplier	x	CRI Multiplier	x	TRIM Multiplier	=	Delivered Lumens for Desired Fixture
STANDARD TRIM Example: EM060-EF61RF01 3500K 80+								
795.35 lm	x	1.03	x	1.23	x	0.95	=	957.24 lm
WALL WASHING TRIM Example: EM060-EF61RF02 3500K 80+								
431.99 lm	x	1.03	x	1.23	x	1.00	=	547.28 lm

Project:	Catalog #:	Approved by:
Location:	Type:	Date:

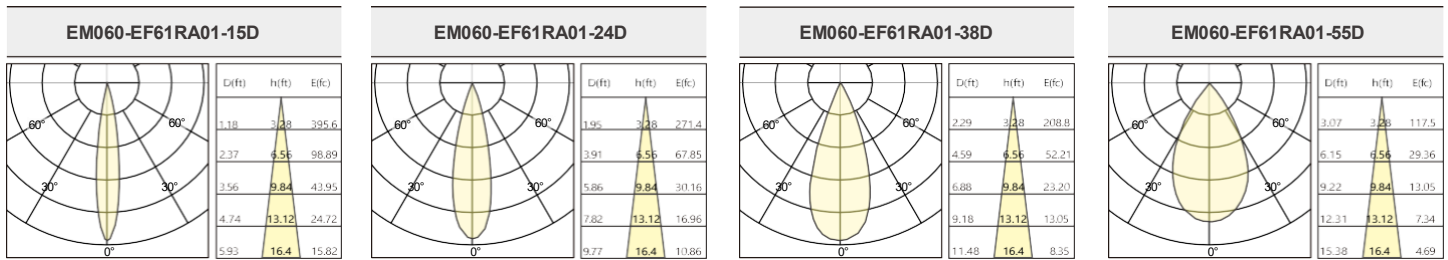
Hotel Series - 3" Aperture

PHOTOMETRIC DATA (NON-DIMMING)

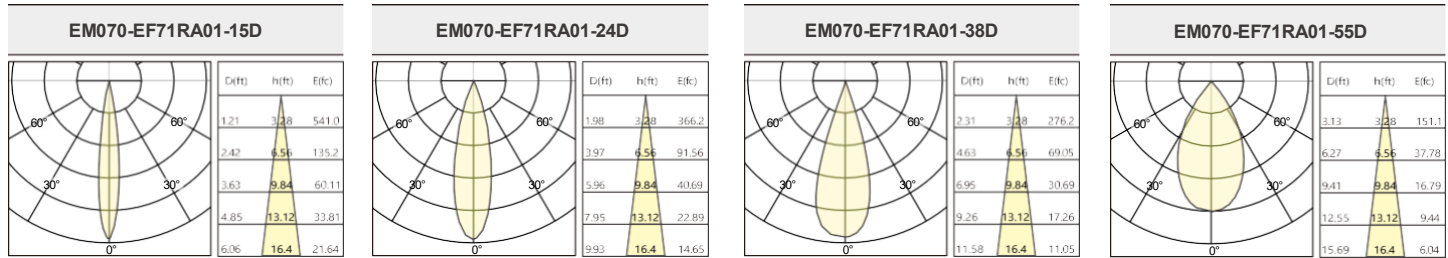
CCT (K)	CRI	LOAD (W)	BEAM OPTIC	LUMENS (lm)	EFFICACY (lm/w)	MAX CANDELA (cd)
3000K	90	10W	15°	795	78	6244
			24°	920	91	2932
			38°	912	90	2248
			55°	869	86	1264
		13W	15°	1087	78	5807
			24°	1249	90	3972
			38°	1212	88	2969
			55°	1150	84	1640

Above test data is based on [Round Adjustable](#) trim with 3000K 90CRI LED.

EM060-EF61RA01 10W



EM070-EF71RA01 15W



Above test data is based on [Round Adjustable](#) trim with 3000K 90CRI LED.

Project :	Type:
Product Code:	Date :

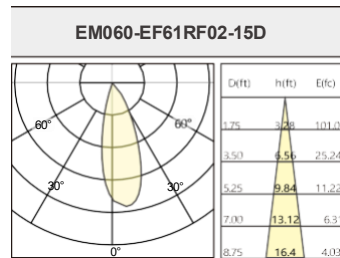
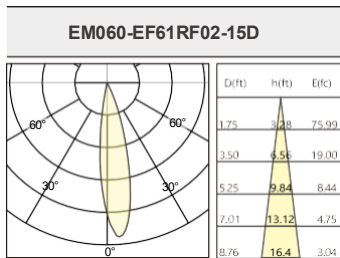
PHOTOMETRIC DATA (NON-DIMMING)

CCT (K)	CRI	LOAD (W)	BEAM OPTIC	LUMENS (lm)	EFFICACY (lm/w)	MAX CANDELA (cd)
3000K	90	10W	Wall Washing	431	43	828
		13W		573	41	1106
		10Wx2		957	46	1909
		13Wx2		1474	49	2871
		10Wx3		1241	41	2398
		13Wx3		1981	45	3803

Above test data is based on **Wall Washing** trim with 3000K 90CRI LED.

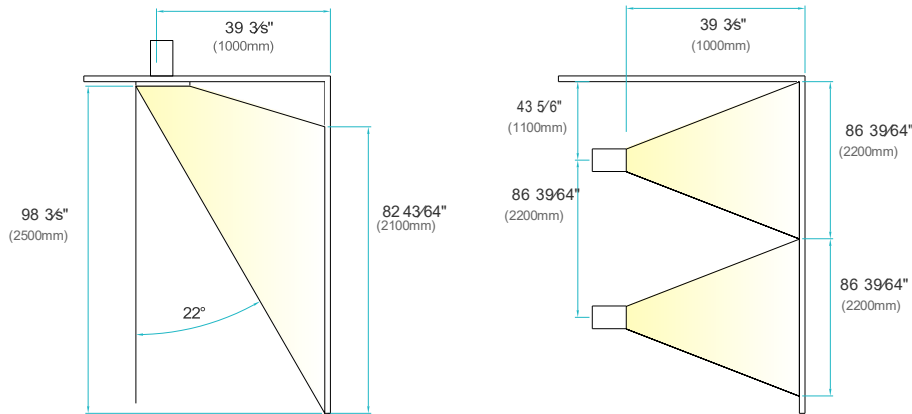
EM060-EF61RF02 10W

EM060-EF61RF02 15W



Above test data is based on **Wall Washing** trim with 3000K 90CRI LED.

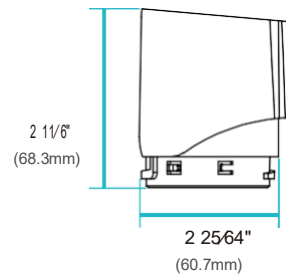
WALL WASHING SUGGESTED SPACING AND WALL DISTANCE



Project :	Type:
Product Code:	Date :

DIMENSION

LED Module



Trim For Hotel Series



 EF61RA01 3 11/32" (85mm) 2 61/64" (75mm)	 2 9/32" (71.5mm) 2 61/64" (75mm)
 EF61RF01 3 11/32" (85mm) 2 61/64" (75mm)	 EF61RF01T 2 9/32" (71.5mm) 2 61/64" (75mm)
 EF61SA01 3 11/32" (85mm) 2 61/64" * 2 61/64" (75x75mm)	 EF61SA01T 3 11/32" (85mm) 2 61/64" * 2 61/64" (75x75mm)

 EF61RF02 3 11/32" (85mm) 2 61/64" (75mm)	 EF61RF02T 2 9/32" (71.5mm) 2 61/64" (75mm)
 EF61SF02 4 5/32" (102mm) 3 35/64" * 3 35/64" (90x90mm)	 EF61SF02T 3 5/16" (84mm) 3 35/64" * 3 35/64" (90x90mm)
 EF61SF03 7 31/64" (190mm) 6 57/64" * 3 35/64" (175x90mm)	 EF61SF03T 6 55/64" (174mm) 6 57/64" * 3 35/64" (175x90mm)
 EF61SF04 11 1/64" (280mm) 10 5/8" * 3 35/64" (270x90mm)	 EF61SF04T 10 25/64" (264mm) 10 5/8" * 3 35/64" (270x90mm)

Project :	Type:
Product Code:	Date :

INSTALLATION

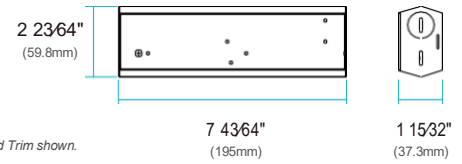


REMODEL

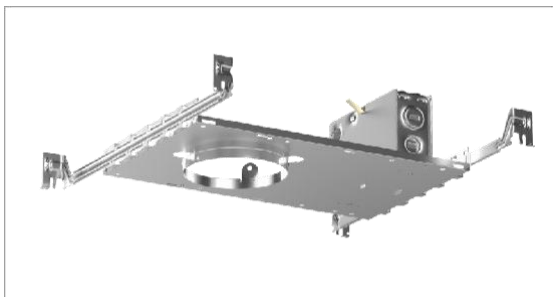
INSTALLATION

1. Direct connection with installed housing.
2. Operation temperature: -20°C - 40°C.

DIMENSION FOR REMODEL MOUNTED DRIVER



Note: Total height varies depending on trim, Beveled Trim shown.
 Minimum height: 3 29/32" (99mm)
 Maximum height: 4 31/64" (114mm)

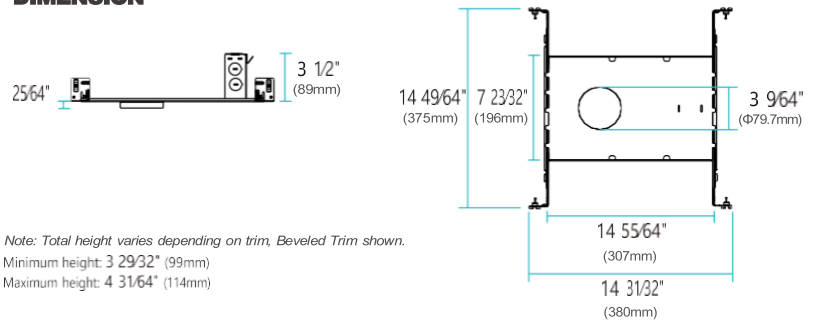


NEW CONSTRUCTION

INSTALLATION

1. Non-IC rated housings must be kept at a minimum of 3" away from insulation.
2. Fixture includes adjustable bar hangers (14"-25") for wood joist or t-bar ceiling installations.
3. Bar hangers can be installed in either direction.
4. Operation temperature: -20°C - 40°C.

DIMENSION



Note: Total height varies depending on trim, Beveled Trim shown.
 Minimum height: 3 29/32" (99mm)
 Maximum height: 4 31/64" (114mm)



IC RATED HOUSING

INSTALLATION

1. ETL Listed for direct contact with insulation.
2. Fixture includes adjustable bar hangers (14"-25") for wood joist or t-bar ceiling installations.
3. Bar hangers can be installed in either direction.
4. Operation temperature: -20°C - 40°C.

DIMENSION

