

Project:		Item #:		Approved:	
Location:		Type:		Date:	

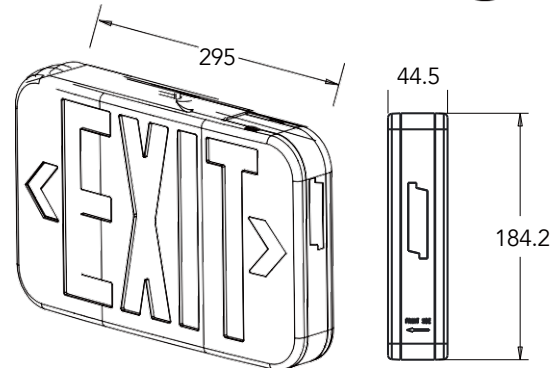
# LCEM LED Exit Light

## FEATURES & BENEFITS

- Universal field-selectable single-/double-face
- Wall, end and ceiling mounting
- Suitable for Damp Locations
- UL 924 and CEC Title 20 Compliant

## SPECIFICATIONS

Illumination: Legend: Long-life, high-intensity LEDs  
 Housing: Injection-molded thermoplastic ABS  
 UL-94-V0 flame-retardant, fire-resistant  
 Legend: Fully illuminated 6" characters  
 Input Voltage: 120/277VAC 60Hz  
 Input Rating: 1.2W, 100mA  
 Battery: Maintenance-free 1.2V NiCad battery  
 Operating Temperature: 0°C to 40°C (32°F to 104° F)  
 Charging time: 24 hours  
 Discharge time: 90 minutes  
 Mounting: Wall, end and ceiling  
 Finish: White  
 Dimension: 295\*184.2\*44.5mm  
 Certifications: UL 924 Listed for Damp Locations



Meets NFPA 101 Life Safety Code, NEC,  
OSHA UL 924 and CEC Title 20 Compliant

## ORDER INFORMATION

Model	Voltage	Color of Letter	Discharge Time	Certificate
LCEMR	120/277V	Red	90 minutes	UL
LCEMG	120/277V	Green	90 minutes	UL