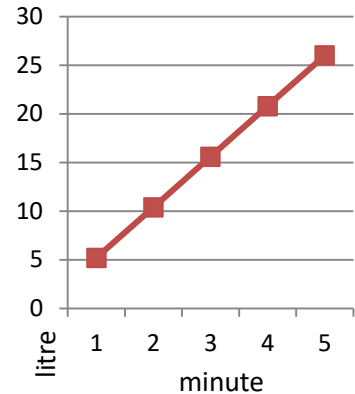
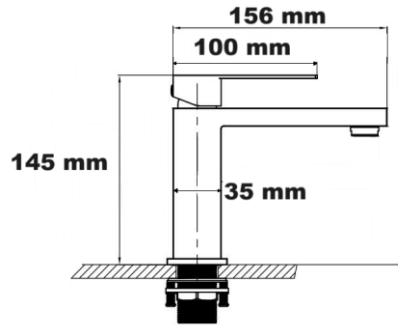


TECHNICAL DATA SHEET

tagus



PRODUCT SPECIFICATION

- BRAND : TAGUS
- SERIES : MARINO
- PRODUCT : BASIN MIXER
- CODE : TG-BAM-111SMBK
- FINISH : BLACK
- MATERIAL : BRASS
- DESCRIPTION : FULL BRASS ,HEAVY DUTY BASIN MIXER WITH EASY FIT CONICAL CYLINDER FITTING KIT .WATER FLOW RATE 3.8L

ITEM DIMENSION

| HEIGHT (mm) | WIDTH (mm) | LENGTH (mm) | WEIGHT (KG) |
|-------------|------------|-------------|-------------|
| 145 | 35 | 156 | 1.10 |

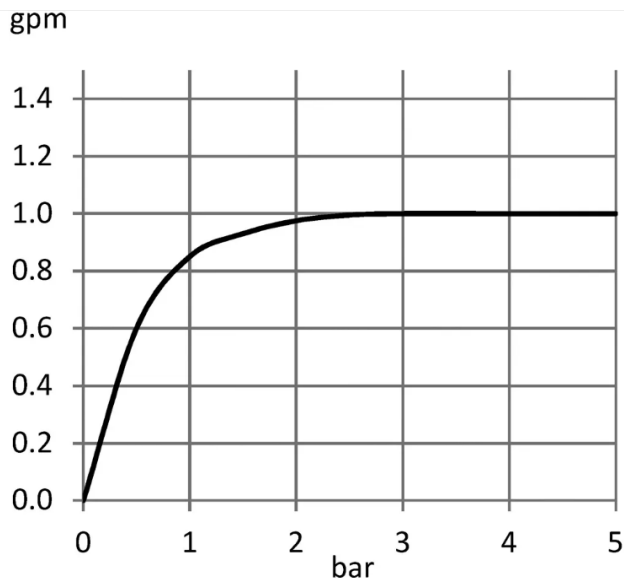
10 YEARS WARRANTY

- All rights reserved by TAGUS
- Specifications details are only overall guideline. This may vary slightly +/- 10% from the real product.
- www.tagusinternational.com

PRODUCT SPECIFICATION

WORKING PRESSURE : 0.1Mpa

WATER FLOW RATE : 3.8 L TO 5L /MIN



10 YEARS WARRANTY

- All rights reserved by TAGUS
- Specifications details are only overall guideline. This may vary slightly +/- 10% from the real product.
- www.tagusinternational.com