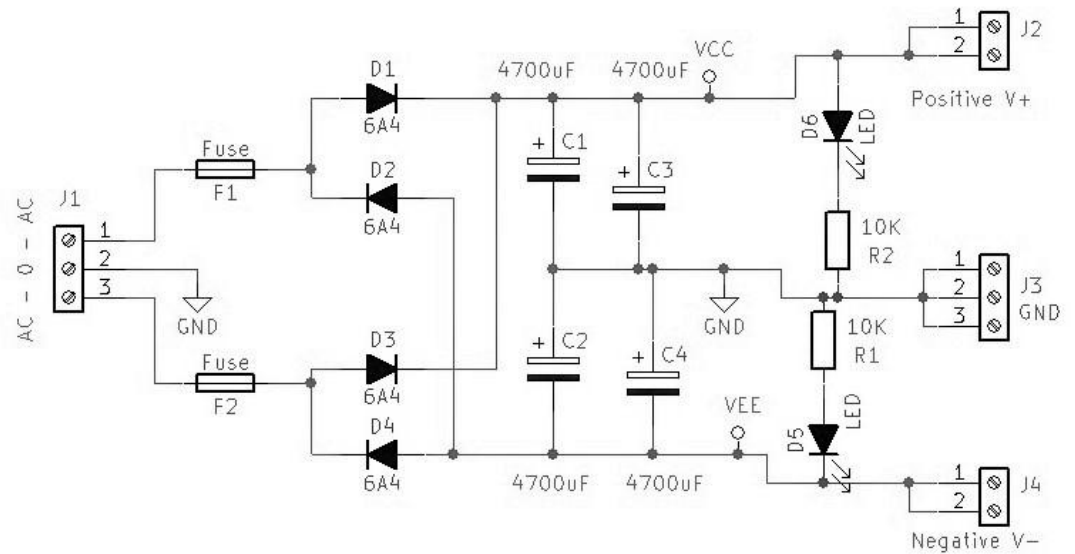


## 10A Power Supply Rectifier List of Parts

Sr.No.	Component	Part no.	Value	Quantity Per PCB
1	Aluminium Electrolytic capacitor	C1 C2 C3 C4	2200uf	4
2	Rectifier Diode	D1 D2 D3 D4	10A10	4
3	LED	D5	LED_G	1
4	LED	D6	LED_R	1
5	Fuse Holder	F1 F2	Fuse	2
6	Screw terminal 2 Pole	J2	Positive supply	1
7	Screw terminal 2 Pole	J4	Negative supply	1
8	Screw terminal 3 Pole	J3	GND	1
9	Screw terminal 3 Pole	J1	AC IN	1
10	Resistor	R1 R2	10K	2

## Circuit Diagram



For more information please visit - [www.vaspelectronics.com](http://www.vaspelectronics.com)