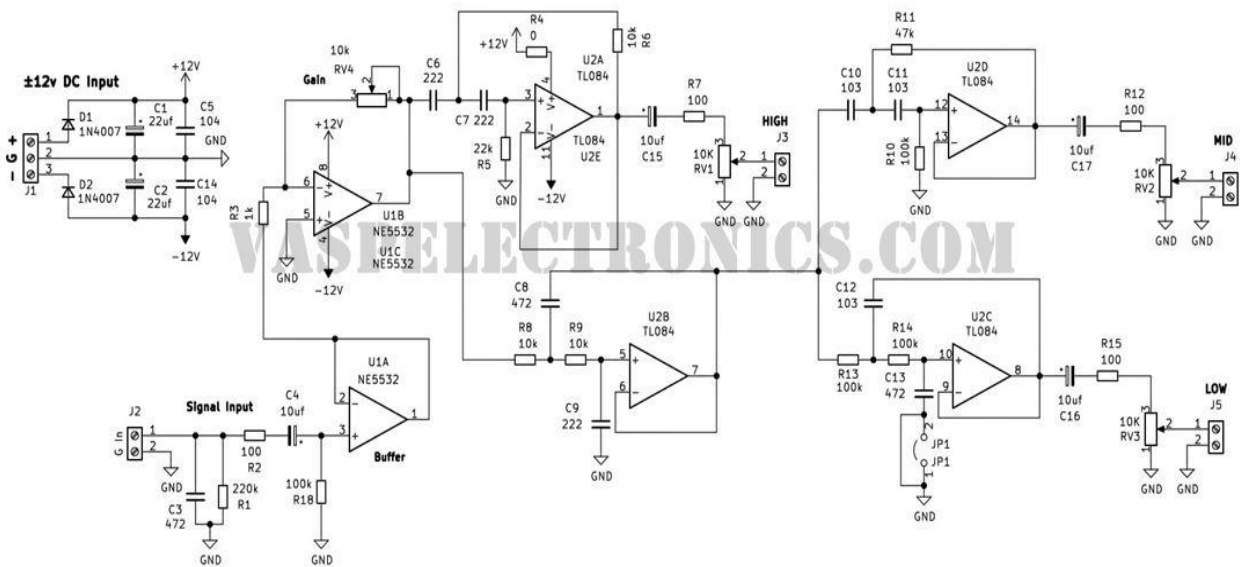


**THRUSH - 3 Way Active Crossover Filter - List of Parts**

No.	Description	References	Value	QTY
1	Aluminum Elctroctic Capacitor	C4 C15 C16 C17	10uf /50v	4
2	Aluminum Elctroctic Capacitor	C1 C2	22uf /50v	2
3	Unpolarized capacitor	C10 C11 C12	103 / 10nf	3
4	Ceramic Disc / Tantalum Capacitor	C5 C14	104 / 100nf	2
5	Unpolarized capacitor	C6 C7 C9	222 / 2n2	3
6	Unpolarized capacitor	C3 C8 C13	472 / 4n2	3
7	General Purpose Rectifier Diode	D1 D2	1N4007	2
8	Connector DC Power in	J1	+12 0 -12 vDC	1
9	Signal in Connector	J2	In GND	1
10	Connector High Out	J3	High GND	1
11	Connector Mid Out	J4	Mid GND	1
12	Connector Low out	J5	Low GND	1
13	Wire Jumper / 0Ω Resistor	JP1 , R4	JP1 , R4	2
14	Resistor 1/4 watt	R2 R7 R12 R15	100	4
15	Resistor 1/4 watt	R3	1k	1
16	Resistor 1/4 watt	R6 R8 R9	10k	3
17	Resistor 1/4 watt	R5	22k	1
18	Resistor 1/4 watt	R11	47k	1
19	Resistor 1/4 watt	R10 R13 R14 R18	100k	4
20	Resistor 1/4 watt	R1	220k	1
21	Potentiometer	RV1 RV2 RV3	10K / 22K	3
22	Preset GAIN	RV4	5K / 10K	1
23	NE5532 / TL072 / JRC4558	U1	NE5532	1
24	TL084 / TL074 / LM324	U2	TL084	1

**3 Way Active Filter Circuit Diagram ( Version 2 )**



for more information please visit - [VASPELECTRONICS.COM](http://VASPELECTRONICS.COM)