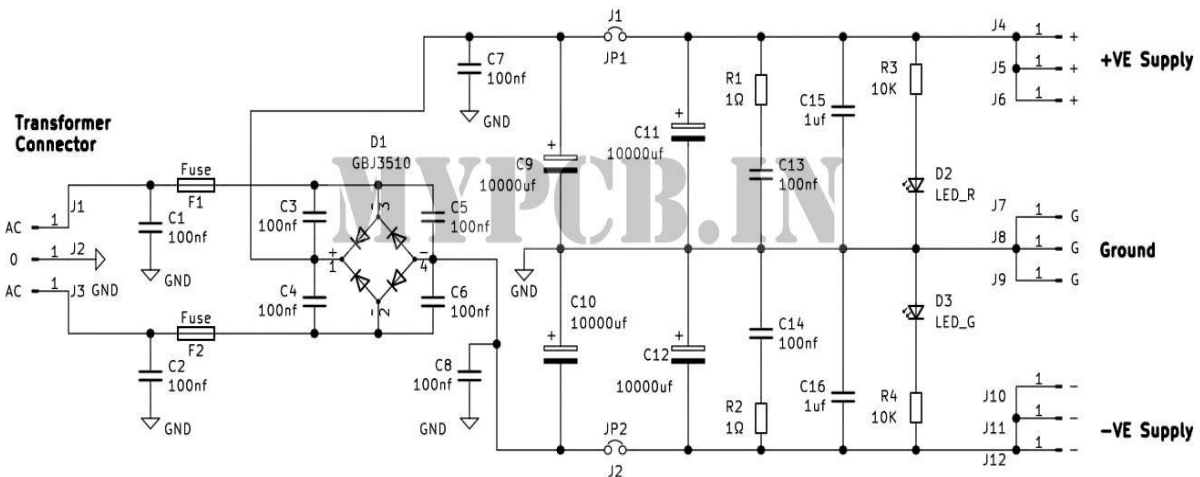


### 35A Power Supply Rectifier List of Parts

no.	Description	References	Value	QTY
1	Polarized capacitor	C9 C10 C11 C12	10000uf 63v	4
2	Unpolarized capacitor	C1 C2 C3 C4 C5 C6 C7 C8 C13 C14	100nf 100v	10
3	Unpolarized capacitor	C15 C16	1uf 63v	2
4	Bridge Rectifier	D1	GBJ3510	1
5	LED_G	D3	LED_G	1
6	LED_R	D2	LED_R	1
7	Fuse Holder	F1 F2	Fuse	2
8	Connector	J4 J5 J6	+VE Supply	1
9	Connector	J10 J11 J12	-VE Supply	1
10	Connector	J1 J2 J3	AC 0 AC	1
11	Connector	J7 J8 J9	GND	1
12	Wire Jumper	JP1 , JP2	Wire Jumper	1
13	Resistor 1/4 watt	R3 R4	10K	2
14	Resistor 1/4 watt	R1 R2	1Ω	2

### 35 Ampere Max Audio Amplifier Power Supply Rectifier Circuit Diagram



Note - Always use Heatsink on Bridge Rectifier D1.

For more information please visit - [vaspelectronics.com](http://vaspelectronics.com)