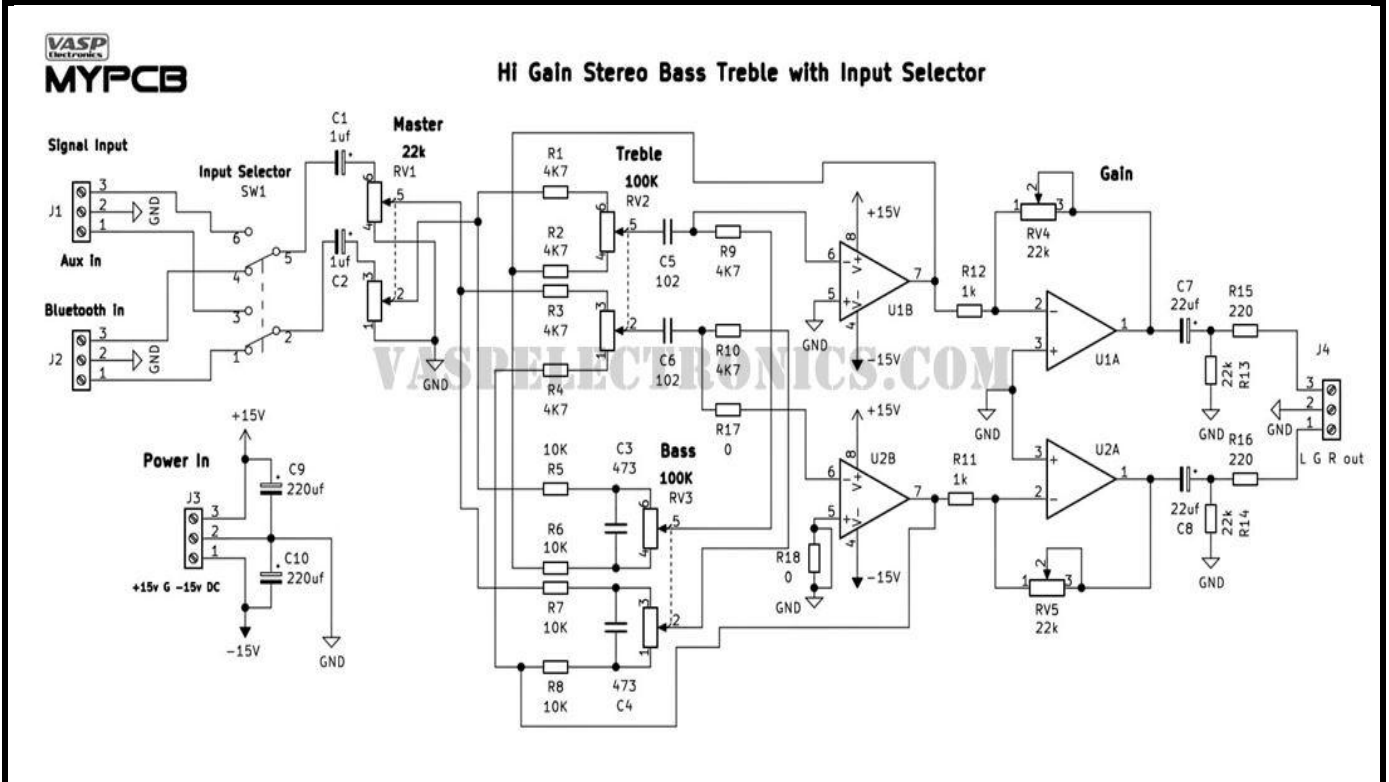


SPARROW - Hi Gain BT with Input Selector List of Parts

No.	Description	References	Value	Per PCB
1	Unpolarized capacitor	C5 C6	102J 100v	2
2	Unpolarized capacitor	C3 C4	473J 100v	2
3	Polarized capacitor	C1 C2	1uf 63v	2
4	Polarized capacitor	C7 C8	22uf 63v	2
5	Polarized capacitor	C9 C10	220uf 25v	2
6	Screw terminal 3 Pole	J2	Bluetooth in	1
7	Screw terminal 3 Pole	J3	+15v G -15v DC	1
8	Screw terminal 3 Pole	J1	Aux in	1
9	Screw terminal 3 Pole	J4	L G R out	1
10	Jumper / 0Ω Resistor	R17 R18	0Ω	2
11	Resistor 1/4 watt	R5 R6 R7 R8	10K	4
13	Resistor 1/4 watt	R11 R12	1K	2
14	Resistor 1/4 watt	R15 R16	220Ω	2
15	Resistor 1/4 watt	R13 R14	22k	2
16	Resistor 1/4 watt	R1 R2 R3 R4 R9 R10	4K7	6
17	Dual pot.	RV2 RV3	100K	2
18	Dual pot.	RV1	22K	1
19	Preset	RV4 RV5	22K	2
20	DPDT Switch	SW1	Input Selector	1
21	NE5532 / TL072 / JRC4558	U1 U2	NE5532	2



For More info please Visit - VASPElectronics.com