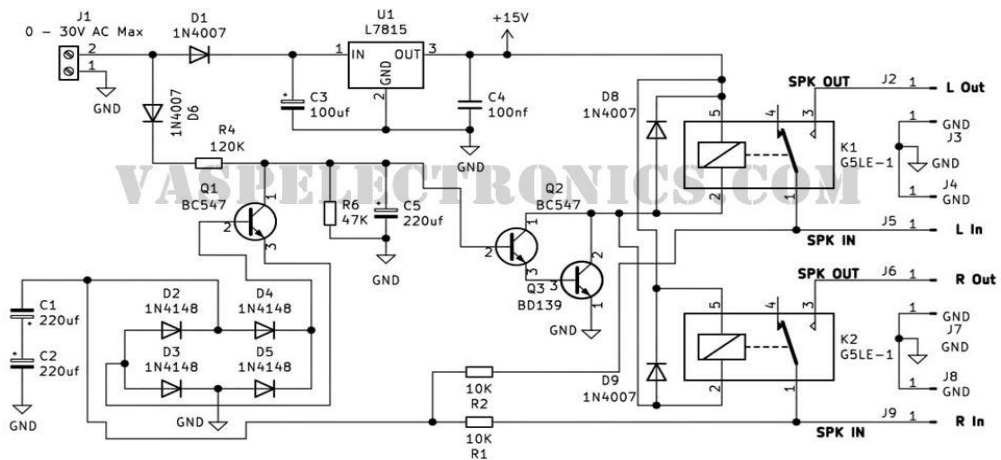


Speaker Protection Board List of Parts

no.	Description	References	Value	Quantity Per PCB
1	Unpolarized capacitor	C4	100nf 63v	1
2	Polarized capacitor	C3	100uf 50v	1
3	Polarized capacitor	C1 C2 C5	220uf 16v	3
4	1N4007	D1 D6 D8 D9	1N4007	4
5	1N4148	D2 D3 D4 D5	1N4148	4
6	Screw terminal, 2 Pole	J1	0 - 30V AC Max	1
7	Connector	J3 J4 J7 J8	GND	4
8	Connector	J5	L In	1
9	Connector	J2	L Out	1
10	Connector	J9	R In	1
11	Connector	J6	R Out	1
12	Relay 12v, SPDT, 10A	K1 K2	G5LE-1	2
13	BC547	Q1 Q2	BC547	2
14	BD139	Q3	BD139	1
15	Resistor 1/4 watt	R1 R2	10K	2
16	Resistor 1/4 watt	R4	120K	1
17	Resistor 1/4 watt	R6	47K	1
18	L7812 / L7815	U1	L7815	1

Speaker Protection Board Circuit Diagram



For more information please visit - vaspelectronics.com