



# CBS Solar

A Division of Contractors Building Supply Inc.

## Tesla Powerwall

7+ DAYS CONTINUOUS POWER DURING AN OUTAGE



Tesla Powerwall is a fully-integrated AC battery system for residential or light commercial use. Its rechargeable lithium-ion battery pack provides energy storage for solar self-consumption, time-based control, and backup.

Powerwall's electrical interface provides a simple connection to any home or building. Its revolutionary compact design achieves market-leading energy density and is easy to install, enabling owners to quickly realize the benefits of reliable, clean power.



**We install and service  
Tesla Powerwall.**



A self-powered home combines solar energy and Powerwall to independently power your home day and night. During the day, solar panels may produce more energy than your home uses. Powerwall stores that excess solar energy for on demand solar self-consumption, time of use load shifting, backup power, and off-the-grid use, even after the sun has set. Through the Tesla app, you will have full visibility into your self-powered home.

**When the grid goes down, solar energy will continue to power your home and charge your Powerwall.**

**231-378-2936**

16880 Front Street • PO Box 67 • Copemish, MI • 49625

**cbssolar.com**



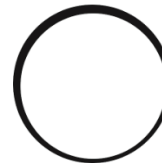
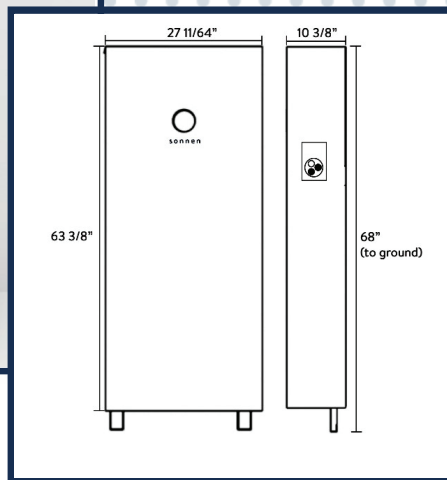


# CBS Solar

A Division of Contractors Building Supply Inc.

## sonnenCore

24/7 Access to Stored Solar Power



sonnen

The sonnenCore is an intelligent energy storage solution that combines smart energy management software with safe, long-lasting and cobalt-free batteries to efficiently manage energy usage throughout the day, store excess solar power for use at night and provide reliable emergency backup power to keep homes protected during grid outages.

The sonnenCore's all-in-one design is compact for elegant installation in your home or garage, and safely operates between 14° F to 122° F.

**We install & service sonnenCore.**



A self-powered home combines solar energy and sonnenCore to independently power your home day and night. During the day, solar panels may produce more energy than your home uses. sonnenCore stores that excess solar energy for on demand solar self-consumption, time of use load shifting, backup power, and off-the-grid use, even after the sun has set.

**When the grid goes down, solar energy will continue to power your home and charge your sonnenCore.**

**231-378-2936**

16880 Front Street • PO Box 67 • Copemish, MI • 49625

**cbssolar.com**

