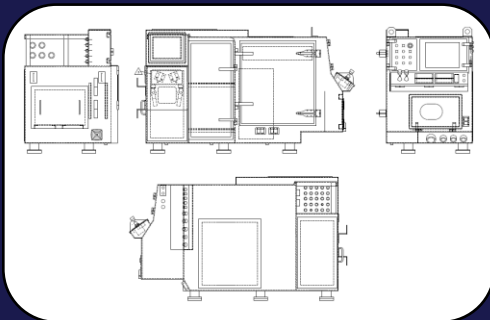
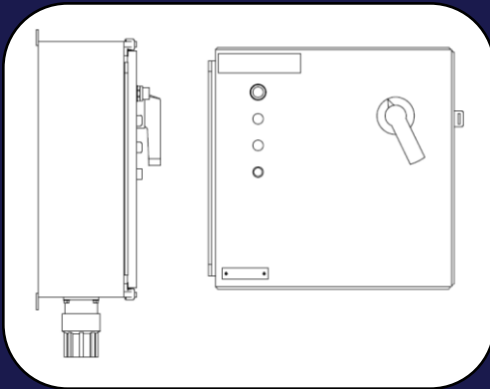
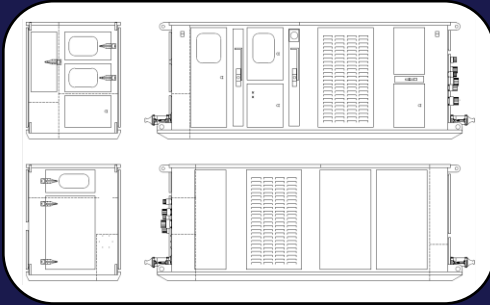




**EVOLUTION**  
ELECTRICAL PRODUCTS INC.

[www.eepsask.com](http://www.eepsask.com)



# PRODUCT BROCHURE

- Mainline Conveyor Substations
- Primary Substations
- Miner Substations
- Main and Block Substations

- Bridge Conveyor Enclosures
- 5-25KV Junction Boxes
- Power Take Off Enclosures
- PLC Control Enclosures

- Miner Electrical Enclosures

PHONE: 306-954-7177

EMAIL: [INFO@EEPSASK.COM](mailto:INFO@EEPSASK.COM)

Certifications:

We are a CSA approved panel shop with the ability to certify to the CSA 22.2 No. 286 standard. Equipment outside of this scope can be certified using the SPE-1000 field evaluation certification.

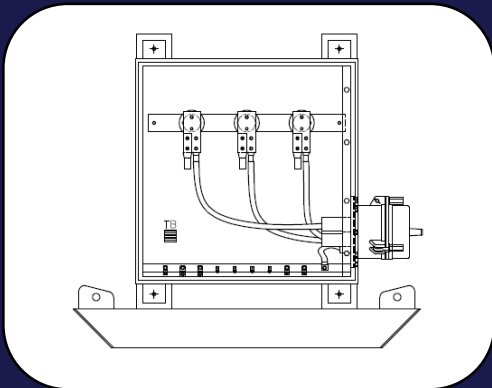
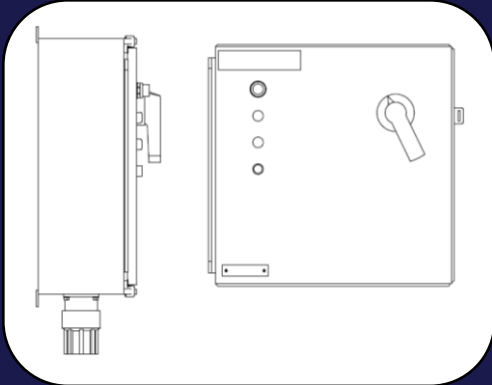




**EVOLUTION**  
ELECTRICAL PRODUCTS INC.

[www.eepsask.com](http://www.eepsask.com)

# POWER TAKE OFF (PTO)



- Power Take Off Enclosures
- 5-25KV Junction Boxes
- PLC Control Enclosures
- Welder Outlet Panels
- Ground Fault Protection Panels
- Custom

## Options:

- Painted Steel
- Stainless steel
- Nema 4x

PHONE: 306-954-7177

EMAIL: [INFO@EEPSASK.COM](mailto:INFO@EEPSASK.COM)

## Certifications:

We are a CSA approved panel shop with the ability to certify to the CSA 22.2 No. 286 standard. Equipment outside of this scope can be certified using the SPE-1000 field evaluation certification.

