

Flexible Touring LED



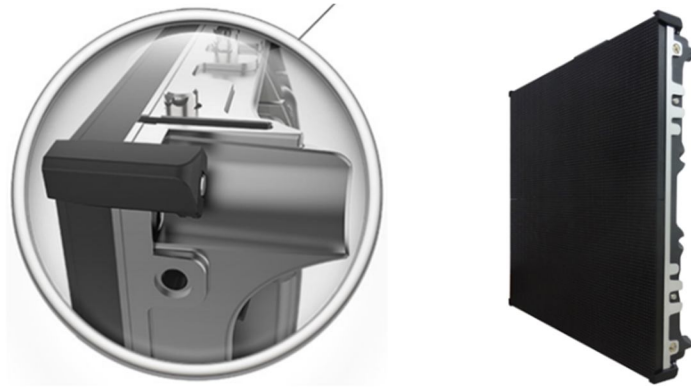
Designed for rental and staging markets, the flexible touring LED display can give event companies the extra competitive edge over their competitors.

With the ability to bend max. $\pm 25^\circ$ per side, namely, $\pm 50^\circ$ per panel, almost any shape can be configured with the flexible touring LED display, be it cube, cylinder, S-shaped, etc.

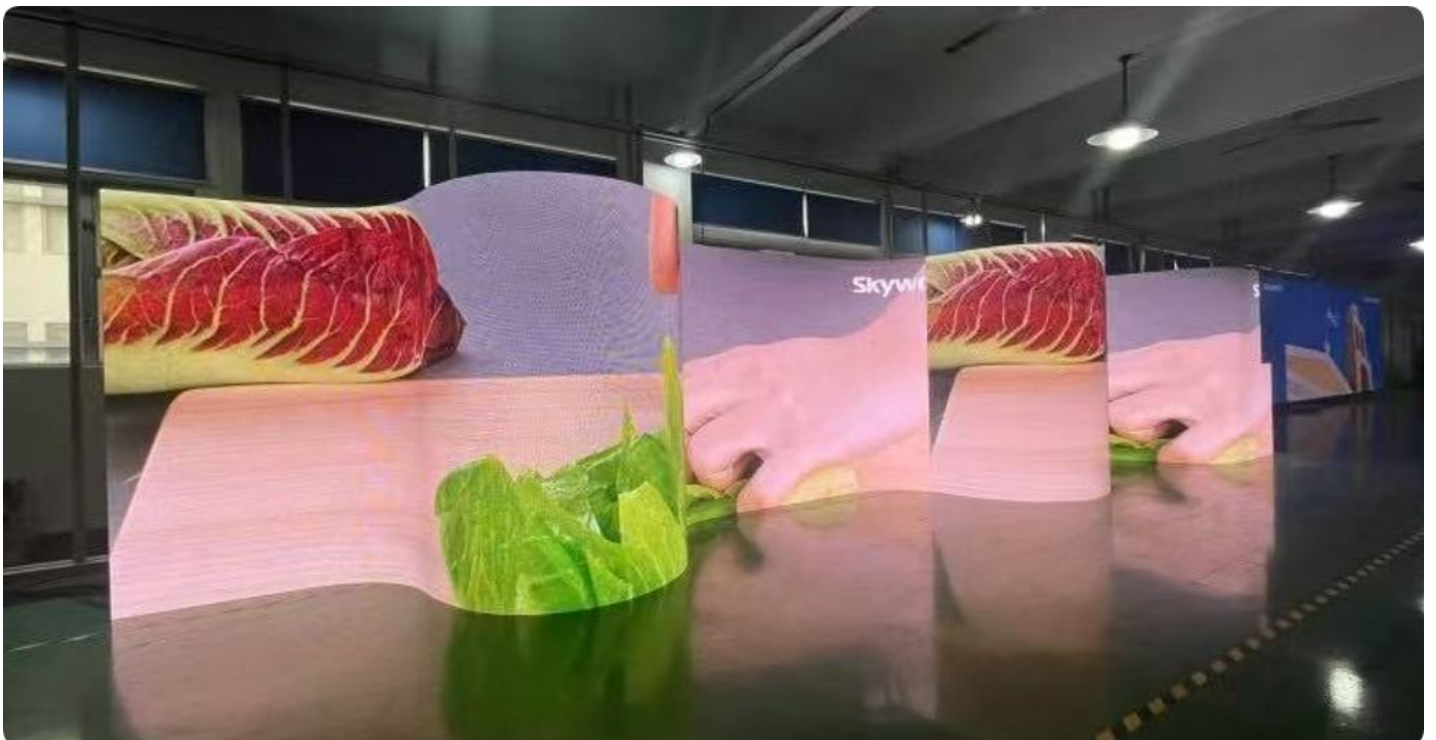
Furthermore, they are compatible with normal touring LED displays and can be mixed and used together.

1, Key features

1.1, Edge-protecting design



1.2, Extreme bendability: max. $\pm 25^\circ$ /side, namely, max. $\pm 50^\circ$ /panel





1.3, Compatible with normal touring LED and can be used together



2. Specifications

2.1 Indoor models

Model No.	ITLD1.9F	ITLD2.6F	ITLD2.9F	ITLD3.9F
Pixel pitch	1.95 mm	2.6 mm	2.98 mm	3.91 mm
LED type	SMD1515	SMD1515	SMD2020	SMD2121
Resolution	256 x 256	192 x 192	168 x 168	128 x 128
Pixel density	262,144 pixels/m ²	147,456 pixels/m ²	112,896 pixels/m ²	65,536 pixels/m ²
Brightness	800 nits	800 nits	1000 nits	1000 nits
Power consumption	Max. 550 W/m ²	Max. 550 W/m ²	Max. 550 W/m ²	Max. 550 W/m ²
IP rating	Indoor only			
Serviceability	Front/Rear			
Refresh rate	3840 Hz			
Color depth	14/16 Bit			
Viewing angle	Horizontal 140°; Vertical 140°			
LED lifetime	100,000 hrs (50% brightness)			
Operational temperature	-20°C ~+45°C / -4°F ~+113°F			
Operational humidity	10%~80%			
Input voltage	100~240V / 50~60Hz			
Dimensions	500*500*85 mm / 19.69*19.69*3.35 inch (W*H*D)			
Weight	7.5 kg (16.54 lbs)/pc; 30 kg (66.14 lbs)/ m2			

Note: specifications are subject to change without prior notice.

2.2 Outdoor Models

Model No.	OTLD2.6F	OTLD2.9F	OTLD3.9F
Pixel pitch	2.6 mm	2.97 mm	3.91 mm
LED type	SMD1415	SMD1415	SMD1921
Resolution	192 x 192	168 x 168	128 x 128
Pixel density	147456 pixels/m ²	112896 pixels/m ²	65536 pixels/m ²
Brightness	4000 nits	4000 nits	4500 nits
Power consumption	Max.750 W/m ²	Max.750 W/m ²	Max.750 W/m ²
IP rating	IP 65		
Serviceability	Front & Rear		
Refresh rate	3840 Hz		
Color depth	14/16 Bit		
Viewing angle	Horizontal 140°; Vertical 140°		
LED lifetime	80,000 hrs (50% brightness)		
Operational temperature	-20°C ~+45°C / -4°F ~+113°F		
Operational humidity	10%~80%		
Input voltage	100~240V / 50~60Hz		
Dimensions	500*500*85 mm / 19.69*19.69*3.35 inch (W*H*D);		
Weight	7.5 kg (16.54 lbs)/pc; 30 kg (66.14 lbs)/ m ²		

Note: specifications are subject to change without prior notice.