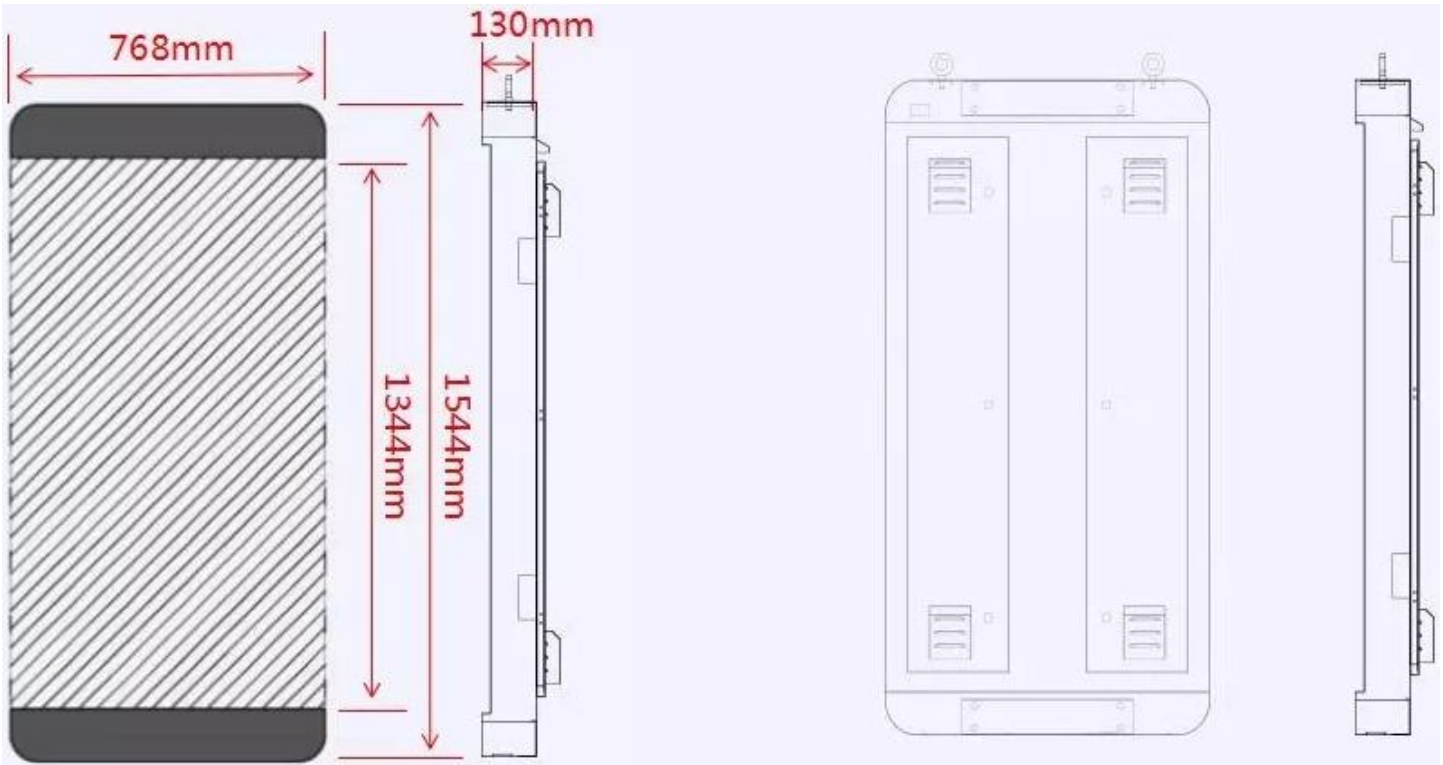


Outdoor Digital Poster

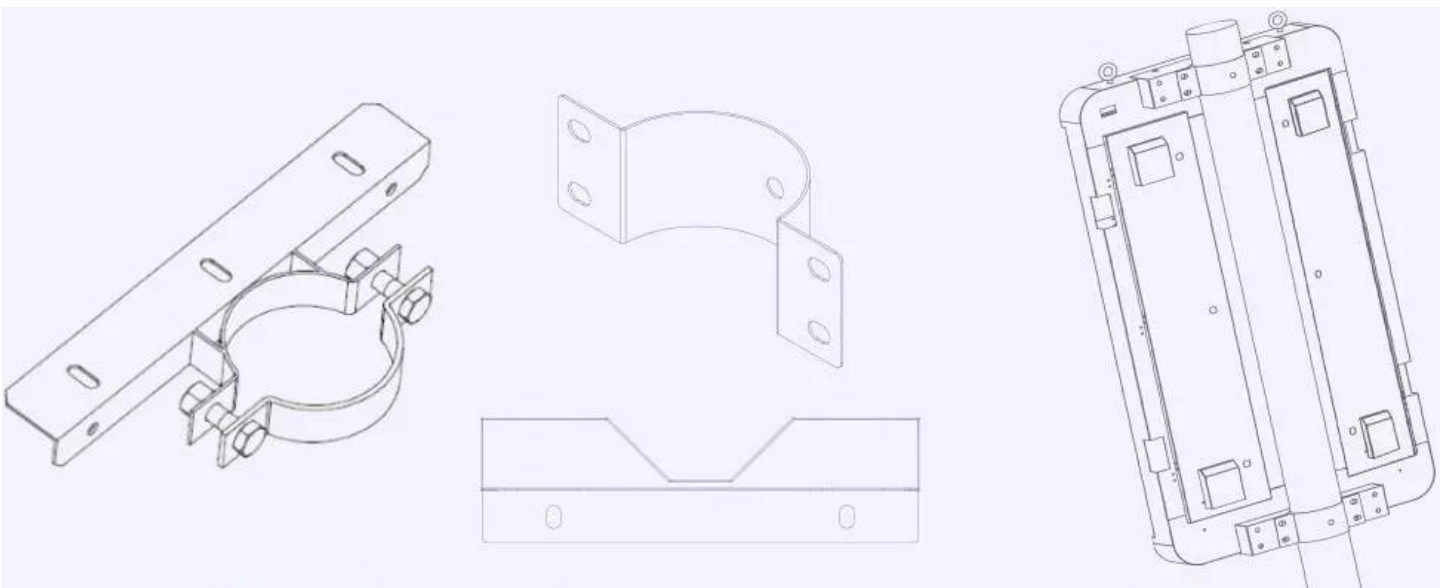


Outdoor digital Posters offer the best return on investment compared to any other forms of advertising, by increasing the brand recognition and in turn increasing your sales. With eye-catching graphics and advertising, you will grab your customers' attention and keep them coming back.

1. Dimensions



2. Very easy to install



3. Specifications

Model No.	ODP3	ODP3.8	ODP4.8
Pixel pitch	3 mm	3.8 mm	4.8 mm
LED type	SMD1515 (Black)	SMD1919	SMD1919
Brightness	3200 nits	6200 nits	6200 nits
Resolution	256*448	200*350	160*280
Max. power consumption	720 W/pc		
IP rating	IP 65		
Dimensions	768*1544*130 mm (W*H*D) 2.52*5.07*0.43 Ft (W*H*D)		
Weight	50 kg (110.23 lbs)/pc		
Serviceability	Rear		
Refresh rate	1920 Hz		
Color depth	14 Bit		
Viewing angle	Horizontal 140° ; Vertical 120°		
LED lifetime	50,000 hrs (50% brightness)		
Operational temperature	-30°C ~ +55°C / -22°F ~ +131°F		
Operational humidity	10% ~ 90%		
Input voltage	100 ~ 240V / 50 ~ 60Hz		