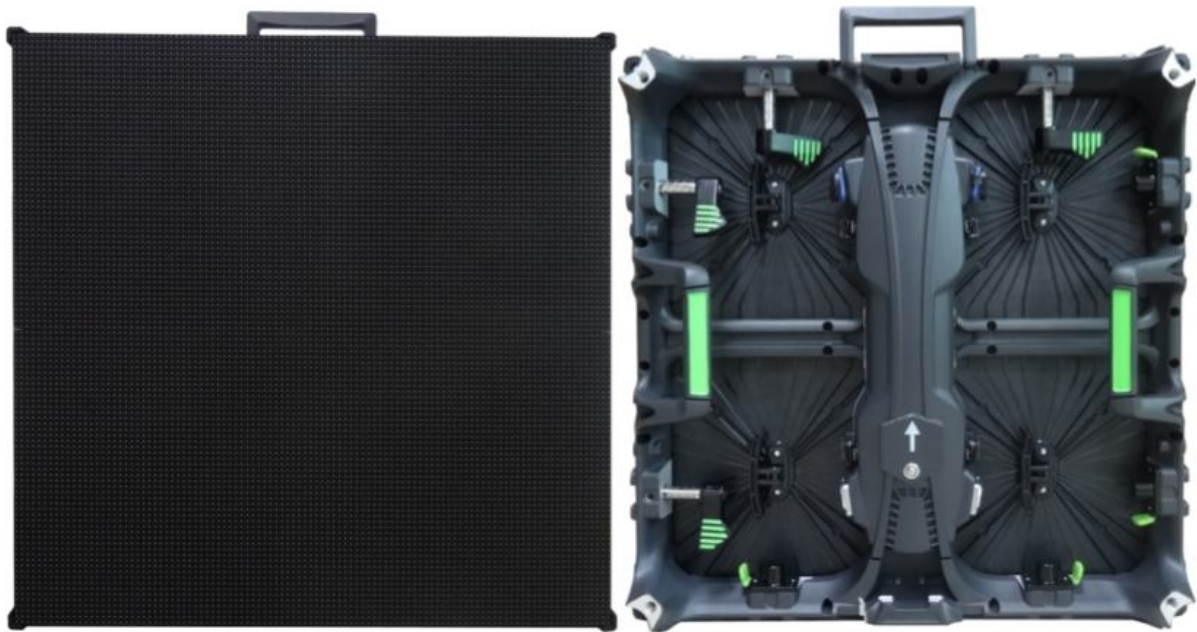


Touring LED Display

Model B



The touring LED display comes in a slim, lightweight and stylish frame. Each unit is of 500 x 500 mm and there are 4 alignment points. In this way, it significantly shortens installation and alignment time.

Designed for the rental and staging markets, the lightweight solution offers rental companies the flexibility to build large dynamic video backdrops for both indoor and outdoor stages as well as side screen on lightweight trusses.

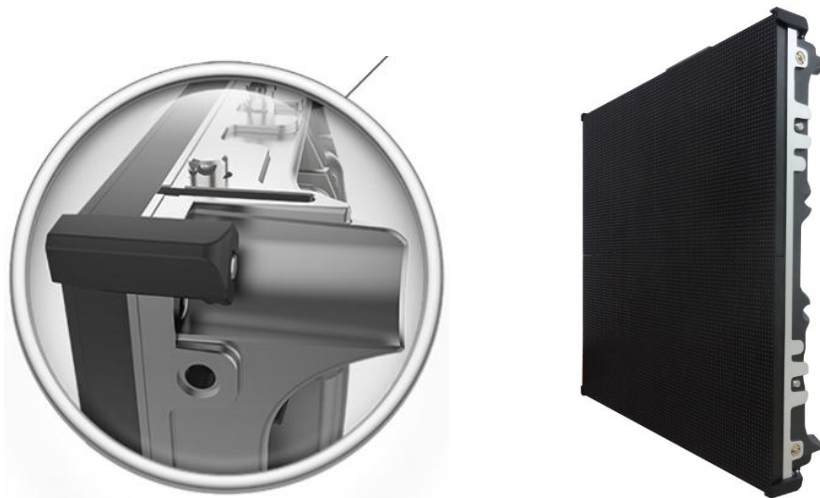
Both indoor and outdoor editions share the same design and are available at 500 x 500 mm and 500 x 1000 mm, which are compatible with each other.

1. Features

1.1 Controller box could be detached within **10 seconds**



1.2 Edge-protecting Design



1.3 Could be curved



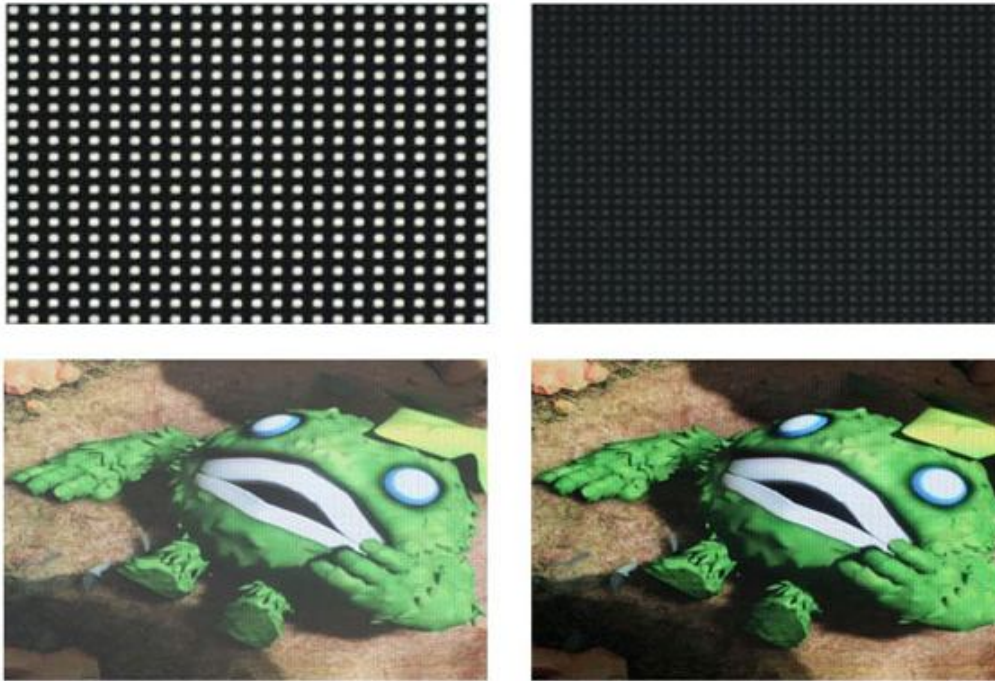
2. Specifications

2.1 Indoor model

Model No.	ITLD2.6B	ITLD2.9B	ITLD3.9B
Pixel pitch	2.6 mm	2.98 mm	3.91 mm
LED type	SMD1515	SMD1515	SMD2121
Resolution	192 x 192	168 x 168	128 x 128
Pixel density	147456 pixels/m ²	112896 pixels/m ²	65536 pixels/m ²
Brightness	800 nits	1000 nits	1200 nits
Power consumption	Max.650 W/m ²	Max.650 W/m ²	Max.650 W/m ²
IP rating	Indoor only		
Serviceability	Front & Rear		
Refresh rate	3840 Hz		
Color depth	14/16 Bit		
Viewing angle	Horizontal 140°; Vertical 140°		
LED lifetime	80,000 hrs (50% brightness)		
Operational temperature	-20°C ~+45°C / -4°F ~+113°F		
Operational humidity	10%~80%		
Input voltage	100~240V / 50~60Hz		
Dimensions	500*500*85 mm / 19.69*19.69*3.35 inch (W*H*D); 500*1000*85 mm / 19.2*39.2*3.35 inch (W*H*D) optional		
Weight	7.5 kg (16.54 lbs)/pc; 30 kg (66.14 lbs)/ m ²		

2.2 Outdoor Model

Outdoor Black LED – Give Your Headaches to Us!



Outdoor **White** LED VS Outdoor **Black** LED

We all know that outdoor LED displays are not suitable for indoor application. That's why event companies invest hugely in both indoor and outdoor LED displays.

Our outdoor LED display with black LEDs (outdoor black LED) relieves the headaches of it!

Day or night, the outdoor black LED offers stunning image quality in both dimmed and high brightness mode. The display accurately reproduces the colors you have in mind, in all lighting conditions. It is a perfect solution for both indoor and outdoor applications. With the outdoor black LED investing once is enough!

What's more, it delivers a much sharper image than the outdoor white LED in the sun light.

Specifications

Model No.	OTLD3.9B	OTLD4.8B	OTLD3.9W	OTLD4.8W
Pixel pitch	3.91 mm	4.81 mm	3.91 mm	4.81 mm
LED type	SMD1921 (Black)	SMD1921 (Black)	SMD1921 (White)	SMD1921 (White)
Resolution	128 x 128	104 x 104	128 x 128	104 x 104
Pixel density	65536 pixels/m ²	43264 pixels/m ²	65536 pixels/m ²	43264 pixels/m ²
Brightness	3500 nits	3300 nits	6000 nits	5500 nits
Power consumption	Max. 800 W/m ²	Max. 800 W/m ²	Max. 850 W/m ²	Max. 850 W/m ²
IP rating	IP65			
Serviceability	Rear			
Refresh rate	1920/3840 Hz			
Color depth	14/16 Bit			
Viewing angle	Horizontal 140°; Vertical 140°			
LED lifetime	80,000 hrs (50% brightness)			
Operational temperature	-20°C ~+45°C / -4°F ~+113°F			
Operational humidity	10%~80%			
Input voltage	100~240V / 50~60Hz			
Dimensions	500*500*85 mm / 19.69*19.69*3.35 inch (W*H*D); 500*1000*85 mm / 19.2*39.2*3.35 inch (W*H*D) optional			
Weight	7.5 kg (16.54 lbs)/pc; 30 kg (66.14 lbs)/ m2			