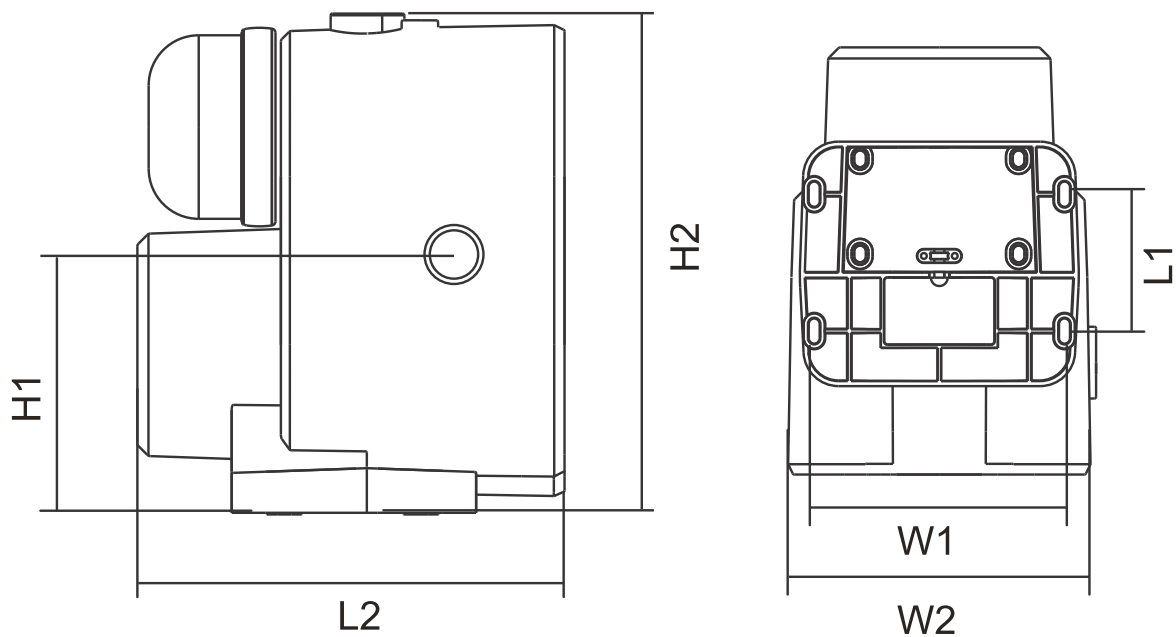
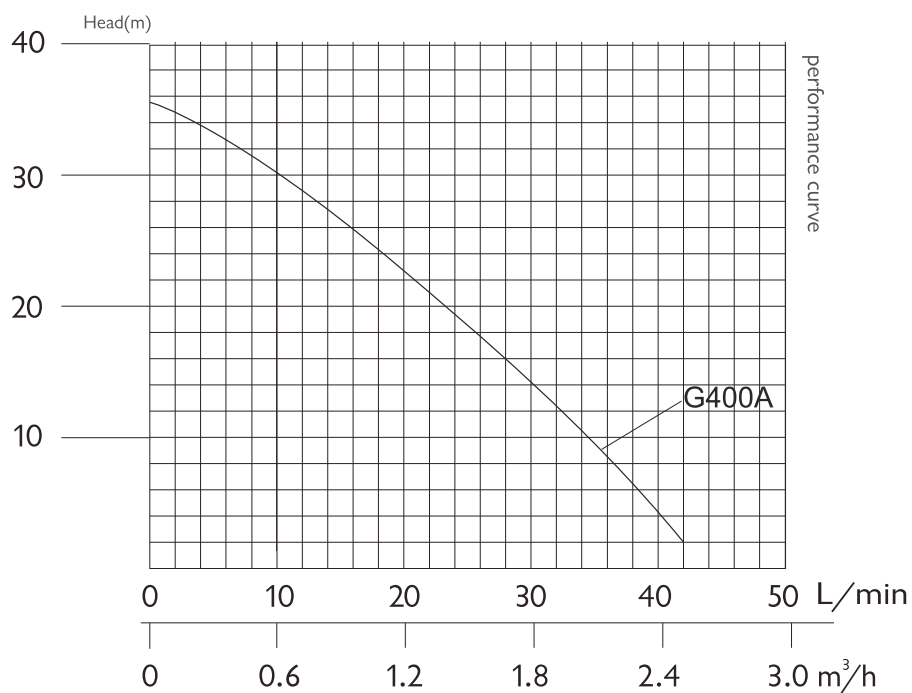


INSTALLATION DIMENSIONS



Model	H1	H2	L2	W1	W2	L1
G400 A	138mm	301mm	181mm	154mm	181mm	121mm

PERFORMANCE PARAMETER TABLE



Model	Power (W)	Q	L/min													
			0	5	10	15	20	25	30	35	40	45	50	55	60	
G400 A	400	m³/h	0	0.3	0.6	0.9	1.2	1.5	1.8	2.1	2.4	2.7	3	3.3	3.6	
		H (m)	35	32	29	24	21	15	11	4	1	-	-	-	-	