

# The Heritage Stepped Door



Our Heritage Stepped aluminium doors are designed as a slim, thermally efficient replacement for old Steel Doors. The aluminium profiles use the latest 'Polyamide' thermal break to achieve excellent U-values inline with the current building regulations. The slim profiles are designed to replicate the stepped classic slim look and feel of traditional steel doors.

These Heritage Stepped doors are suitable for replacement & refurbishment projects and in listed buildings and conservation areas. These doors will retain the classic look and character of your home and are designed to match our Royale Stepped or Heritage Stepped windows.

## Features

- Non-rusting aluminium profiles replicate old Steel Doors.
- These match our Heritage Stepped windows.
- Available as single or French doors opening in or out.
- Suitable for refurbishment projects.
- Modern multi-point locking.
- Slim sight-lines with thermally broken aluminium profiles.
- Standard colours include White (matt), Black (matt) or dual Black (matt) Out White (matt) In.
- Also available in over 200 single or dual RAL colours.
- Range of textured paint colours available.
- Meets current building regulations.

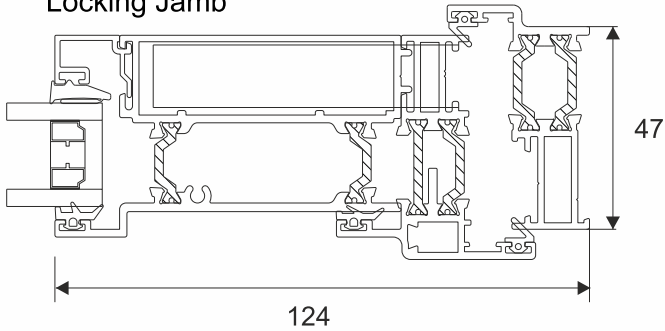
## Performance

U-Value  
**1.8**  
Standard

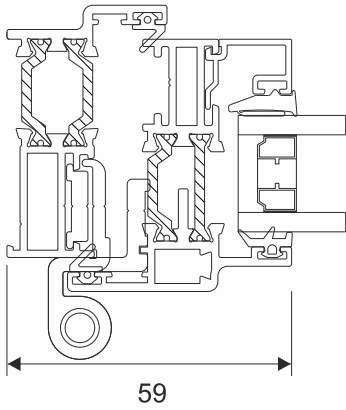
U-Value  
**1.6**  
Upgrade

# Technical

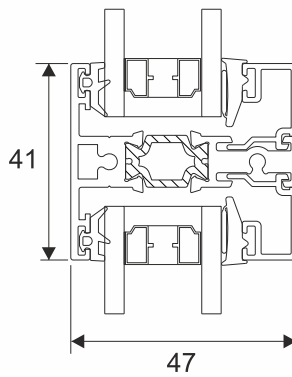
Locking Jamb



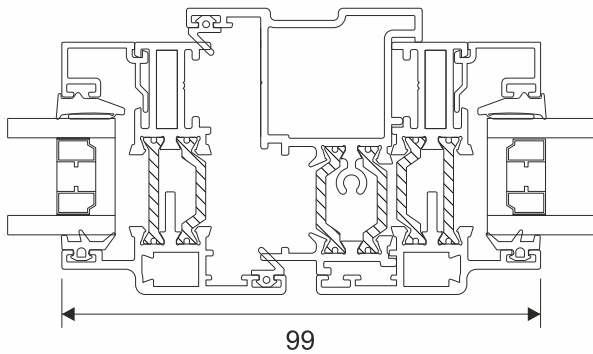
Jamb Section



Transom Bar



Meeting Stile



Heritage Double Doors



Optional Aluminium Kick Plates



Colour Matched Lever Handle



Slim & Authentic Look