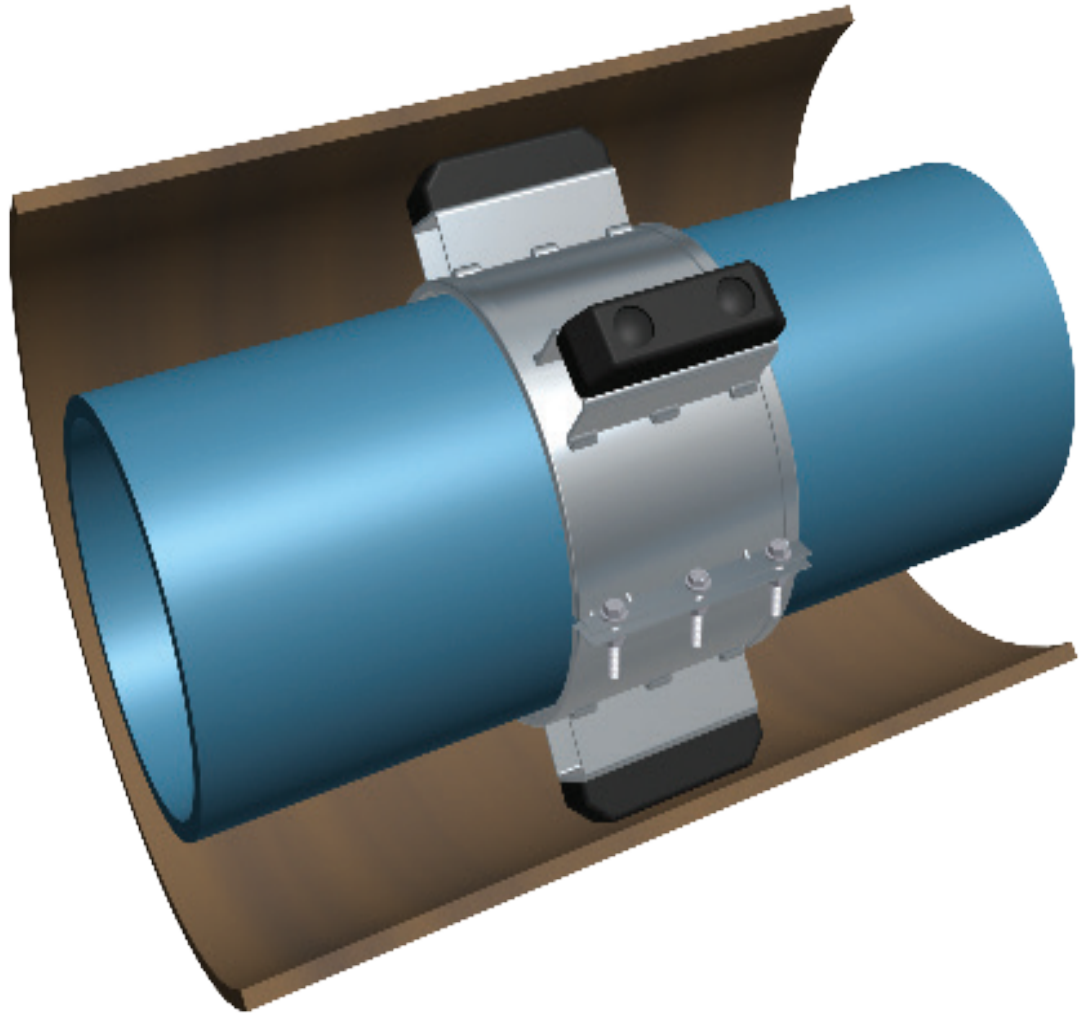


# CASING SPACERS & END SEALS



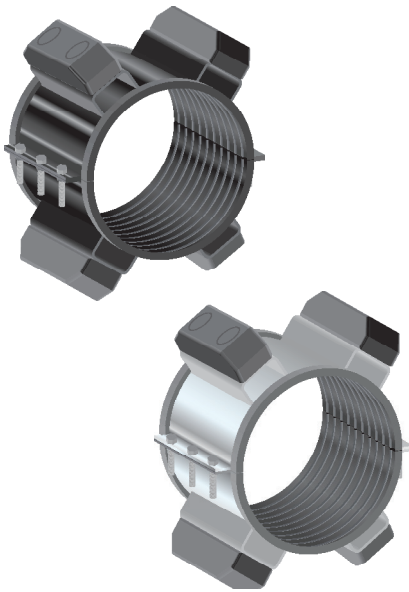
**CCI PIPING SYSTEMS**  
PIPE PROTECTION PRODUCTS

ccipipe.com • 800.867.2772



# CASING SPACERS & END SEALS

## CARBON STEEL & STAINLESS STEEL SPACERS



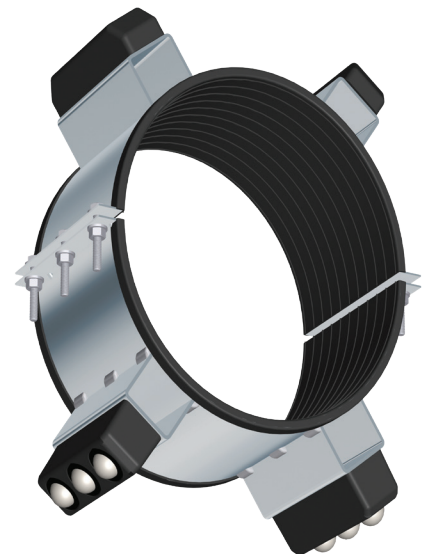
- Heavy duty two-piece T304 Stainless Steel or Carbon Steel Spacers with durable glass filled polymer runners
- Available in 8" and 12" widths (Recommend 8" widths through 36" carrier pipe sizes)
- Fast and easy installation on various carrier pipe types within cased crossing applications
- Spacers are lined with ribbed PVC extrusion to prevent electrical contact between the carrier pipe and the metallic spacer.
- Carbon Steel Spacers are fabricated from pickled and oiled steel and then coated with a *fusion bonded copolymer based thermoplastic* for superior abrasion resistance and corrosion protection
- Spacers for bell & spigot joints, or large diameter applications, are designed and fabricated to ensure an extra margin of support
- CCI Piping Systems has the experience to design and manufacture virtually any configuration of casing spacer, including on-grade applications and multi-carrier clusters within a single casing.

## OMNIROLLER SPACERS

The **NEW** CCI OMNIROLLER CASING SPACERS are supplied with a patented runner equipped with an innovative multidirectional assembly designed for the following:

- Maintain cathodic protection between the carrier pipe and casing pipe to prevent premature corrosion
- Reduce the coefficient of friction within the casing pipe for ease of installation
- Allow for longer installations while maintaining the desired grade
- Prevent the carrier pipe from spiraling within the casing pipe during installation, unlike unidirectional rollers

*The CCI OMNIROLLER Casing Spacers are manufactured with an 8" wide Coated Carbon Steel or Stainless Steel shell for nominal carrier pipe sizes ranging from 4" to 24". Each OMNIROLLER runner can be supplied with up to 3 multidirectional assemblies depending on the carrier pipe type and application.*



# POLYETHYLENE SPACERS

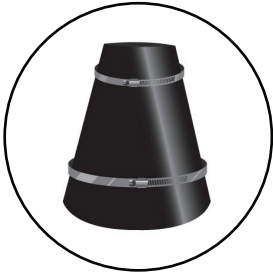
- Injection molded from LLDPE with a wide variety of runner heights
- Provides an economical alternative to metallic casing spacers
- Excellent dielectric strength and low moisture absorption provide minimal electric current loss with no impairment of cathodic protection
- High impact resistance and excellent frictional characteristics make polyethylene spacers a pipeline industry standard on mechanical joints, restrained joints, push-on joints and welded pipe joints



## END SEALS



MODEL ESW *Wrap-Around Neoprene Rubber End Seal* is designed for field installations where the carrier pipe was previously installed in the casing. The installation process involves wrapping the end seal around the carrier pipe and casing, then compressing the overlapped adhesive strips to form a seal. Installation is complete once the stainless steel banding straps are tightened to secure the end seal to the carrier and casing pipe. The end seal has excellent chemical resistance and retains flexibility on various pipe size combinations for single carrier and casing pipe applications.



MODEL ESC *Seamless Neoprene End Seal* is easily installed as the carrier pipe is pulled through the casing. The installation process is completed by securing the end seal to the carrier and the casing pipe using the stainless steel banding straps provided. The end seal has excellent chemical resistance and retains flexibility on various pipe size combinations for single carrier and casing pipe applications.

## OTHER QUALITY PRODUCTS FROM CCI

CCI has the solution to all of your sealing needs when it comes to wall penetration. Our complete sealing system includes WRAP-IT LINK™ Wall Penetration Seals and Wall Sleeves with water stops. Working together, these products will provide you with the necessary seal for your piping system.

### ADVANTAGES

#### Casing Spacers vs. Banded Wood Skids:

- Reduce time and labor
- Install quickly by a single worker
- Superior performance and reliability
- Provide electrical insulation
- Will not rot or settle
- Support carrier pipe weight uniformly
- Protect against long term corrosion
- Require no casing filler



# ORDERING INFORMATION

To place an order, refer to the STANDARD ORDERING OPTIONS and provide the following:

1. Casing Spacer Material:
  - Choose from available options
2. Carrier Pipe Size:
  - Actual Barrel O.D. and Bell O.D.
  - Carrier Pipe Types (e.g. C900, C905, Ductile Iron, SDR35, HDPE, CMLC, etc)
  - Laying Length
3. Casing Pipe Size:
  - Actual I.D.
  - Casing Pipe Types (e.g. Smooth Steel, Spiral Welded Steel, Corrugated, Concrete, etc)
  - Laying Length

5. Special Manufacturing Instructions:
  - Provide any Plan Detail Drawings
  - Provide any Municipal Specifications
  - Provide any Special or Additional Customer Requirements

For Carrier Pipe sizes over 48" nominal and Clustered Casing Spacers, the following additional information is required:

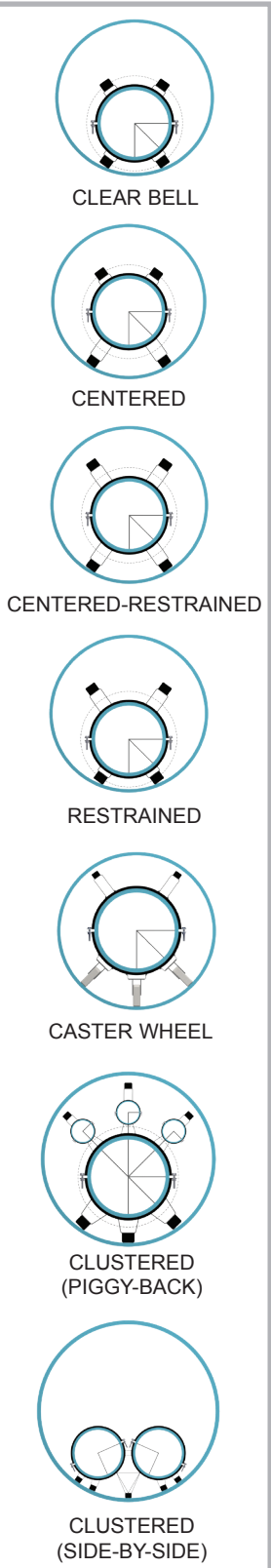
- Weight per Foot of Carrier Pipe(s)
- Backfilling Annulus Once Installation Complete?

To calculate the number of casing spacers required:

$$\text{Number of Spacers per Carrier Joint} = \frac{\text{Bore Length} \div \text{Carrier Pipe Laying Length}}{\text{Carrier Pipe Laying Length}}$$

Note: Round up to the nearest whole number

CCI reserves the right to recommend the number of casing spacers per carrier joint according to application.



<p>CSS8 - 24 36 - CDI - CR - SP</p>	<p><b>STANDARD ORDERING OPTIONS</b> <i>Part Number Designation</i></p>
	Special Manufacturing Instructions
	CB - Clear Bell / C - Centered / CR - Centered-Restrained / R - Restrained / TC - True Centered / GR - On Grade / RL - Roller
	Customer to Provide Carrier Pipe Type & Weight per Ft.
	Customer to Provide Actual Casing Pipe I.D.
	Customer to Provide Actual Carrier Pipe O.D. & Bell O.D.
<p>CSC8 - 8" Wide Carbon Steel / CSC12 - 12" Wide Carbon Steel                  CSS8 - 8" Wide Stainless Steel / CSS12 - 12" Wide Stainless Steel                  CSCI - 8" Wide Carbon Steel Integral Runner                  CSSI - 8" Wide Stainless Steel Integral Runner</p>	

<p>CSPB 24 - 2.50 - EXT - 2.50 - SP</p>	<p><b>STANDARD ORDERING OPTIONS</b> <i>Part Number Designation</i></p>
	Special Manufacturing Instructions
	Height of Runner Extension to Center-Restrain (2.50" Max)
	EXT - Used to Center-Restrain Carrier Pipe in Large Annular Spaces
	Molded Height of Runner to Provide Required Top Gap
	Customer to Provide Actual Carrier Pipe O.D. & Bell O.D.
<p>CSPB - Polyethylene Casing Spacer</p>	

### WARRANTY

CCI PIPING SYSTEMS warrants all products against defects in material and workmanship for a period of one year from receipt of order. There are no other warranties, expressed or implied. Customer assumes all liability in the handling, use and application of our products.

For detailed technical specifications contact CCI at:  
**ccipipe.com** or  
**800-867-2772**



## CCI PIPING SYSTEMS, LLC

1026 O'Neal Drive • Breaux Bridge, LA 70517  
 ccipipe.com • sales@ccipipe.com  
 337.332.5808 • 800.867.2772