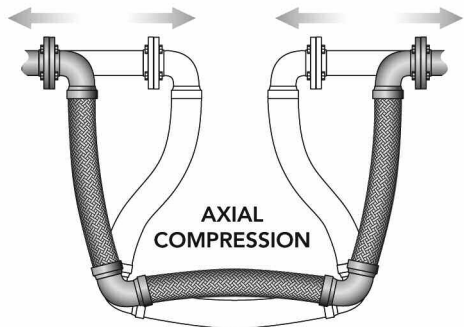
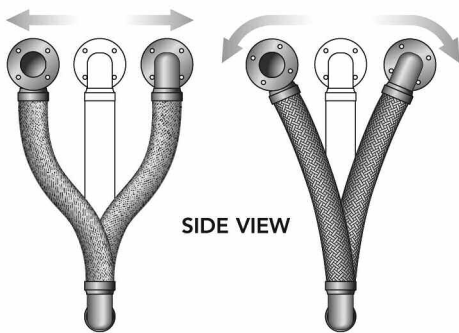


Tri-Flex Loop® Expansion Loops & Seismic Connectors

Movement Capabilities



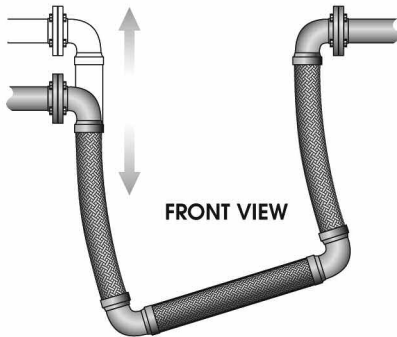
AXIAL EXTENSION
FRONT VIEW



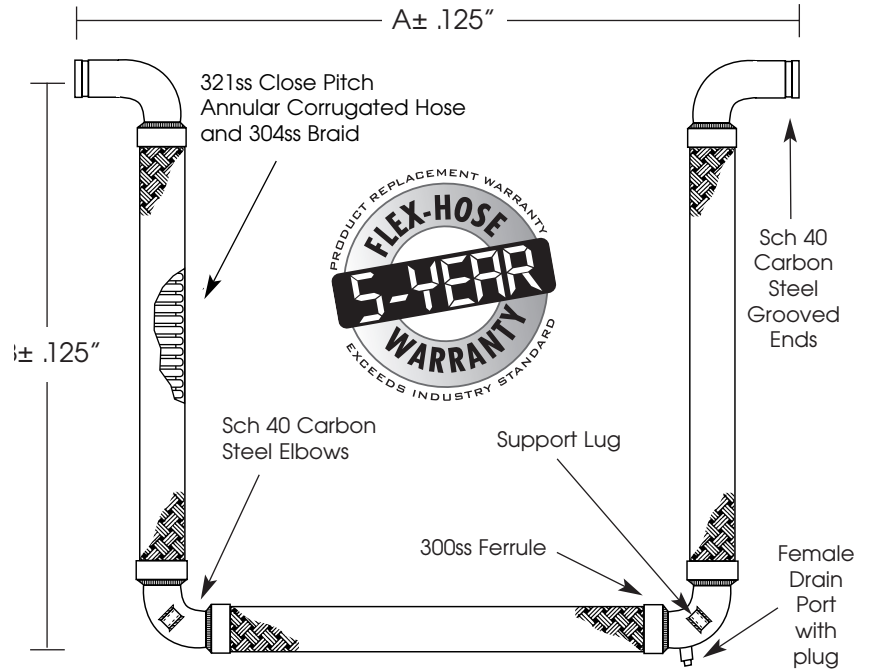
SIDE VIEW

PARALLEL OFFSET
"Z" AXIS

PARALLEL OFFSET
WITH "X" AXIS
ROTATION



NON-PARALLEL OFFSET "Y" AXIS



| I.D. (IN) | LENGTH (IN) | | PRESSURE (PSI) | | MOVEMENT CAPABILITY | | | | | DRAIN PORT (IN) | WT (LBS) | NOTES |
|--------------|----------------|-------|-------------------|-------|---------------------|-------------------|------------------|-------------------------------|----------------------------------|-----------------------|-------------|-------|
| | A | B | 70°F | 200°F | COMPRESSION (IN) | EXTENSION (IN) | PARALLEL (IN) | ROTATION "X" AXIS (DEG) | NON-PARALLEL "Y" AXIS (IN) | | | |
| 1.0 | 25.75 | 20.50 | 750 | 705 | 4 | 4 | 4 | 30° | 2 | ½ | 7 | |
| 1.5 | 32.00 | 24.50 | 565 | 531 | 4 | 4 | 4 | 25° | 2 | ½ | 13 | |
| 2.0 | 37.00 | 28.25 | 500 | 470 | 4 | 4 | 4 | 20° | 2 | ½ | 18 | |
| 2.5 | 41.00 | 31.00 | 400 | 376 | 4 | 4 | 4 | 20° | 2 | ¾ | 30 | |
| 3.0 | 45.25 | 34.00 | 285 | 267 | 4 | 4 | 4 | 15° | 2 | ¾ | 40 | |
| 4.0 | 55.75 | 40.00 | 250 | 235 | 4 | 4 | 4 | 10° | 2 | ¾ | 70 | |
| 5.0 | 71.25 | 51.00 | 200 | 188 | 4 | 4 | 4 | 10° | 2 | ¾ | 117 | |
| 6.0 | 77.00 | 54.25 | 220 | 206 | 4 | 4 | 4 | 5° | 2 | ¾ | 166 | |
| 8.0 | 92.00 | 63.25 | 215 | 202 | 4 | 4 | 4 | 5° | 2 | ¾ | 302 | |
| 10.0 | 110.00 | 74.38 | 200 | 188 | 4 | 4 | 4 | 5° | 2 | ¾ | 520 | |
| 12.0 | 125.00 | 84.38 | 160 | 150 | 4 | 4 | 4 | 3° | 2 | ¾ | 752 | |

Working pressures shown for the hose and braid are based on an operating temperature of 70°F (21°C) with a 4:1 safety factor.



This product is listed by IAPMO R&T under file #N-7208 for NSF/ANSI 61 and file 7207 for California Lead Plumbing Law and NSF/ANSI-372. Our listed products can be viewed on IAPMO R&T's Web listing at <http://pld.iapmo.org>



CSA standard B-51 certified. Inspected and tested by the Technical Standards and Safety Authority of Canada.



APPROVED

For Fire Protection Systems



6801 Crossbow Drive • East Syracuse, NY USA 13057-1026

315/437-1611 • Fax 315/437-1903

www.flexhose.com • 1.877.TRI FLEX

| | |
|----------------|--|
| PROJECT | |
| CUSTOMER | |
| ENGINEER | |
| REPRESENTATIVE | |
| DRAWING # | |