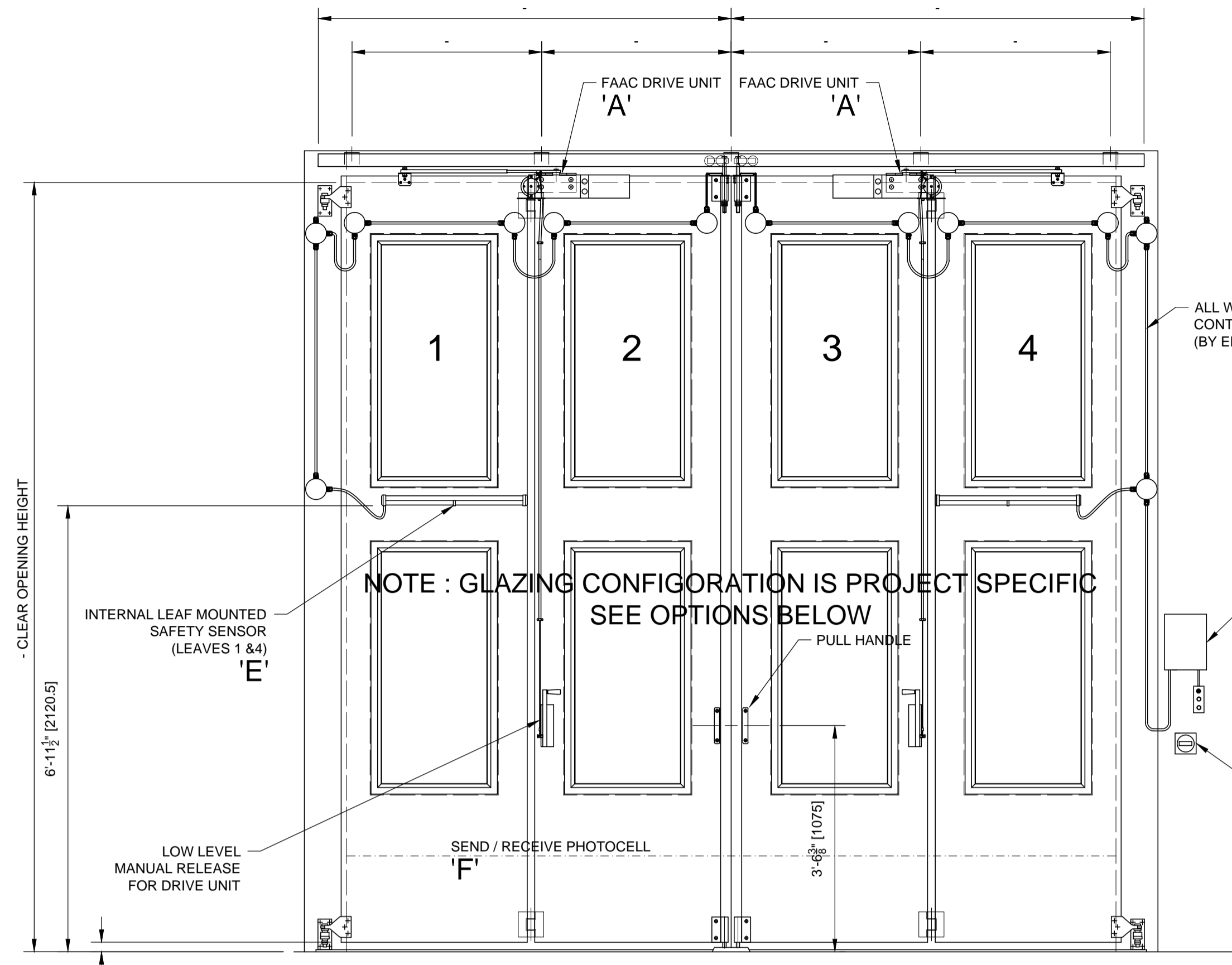
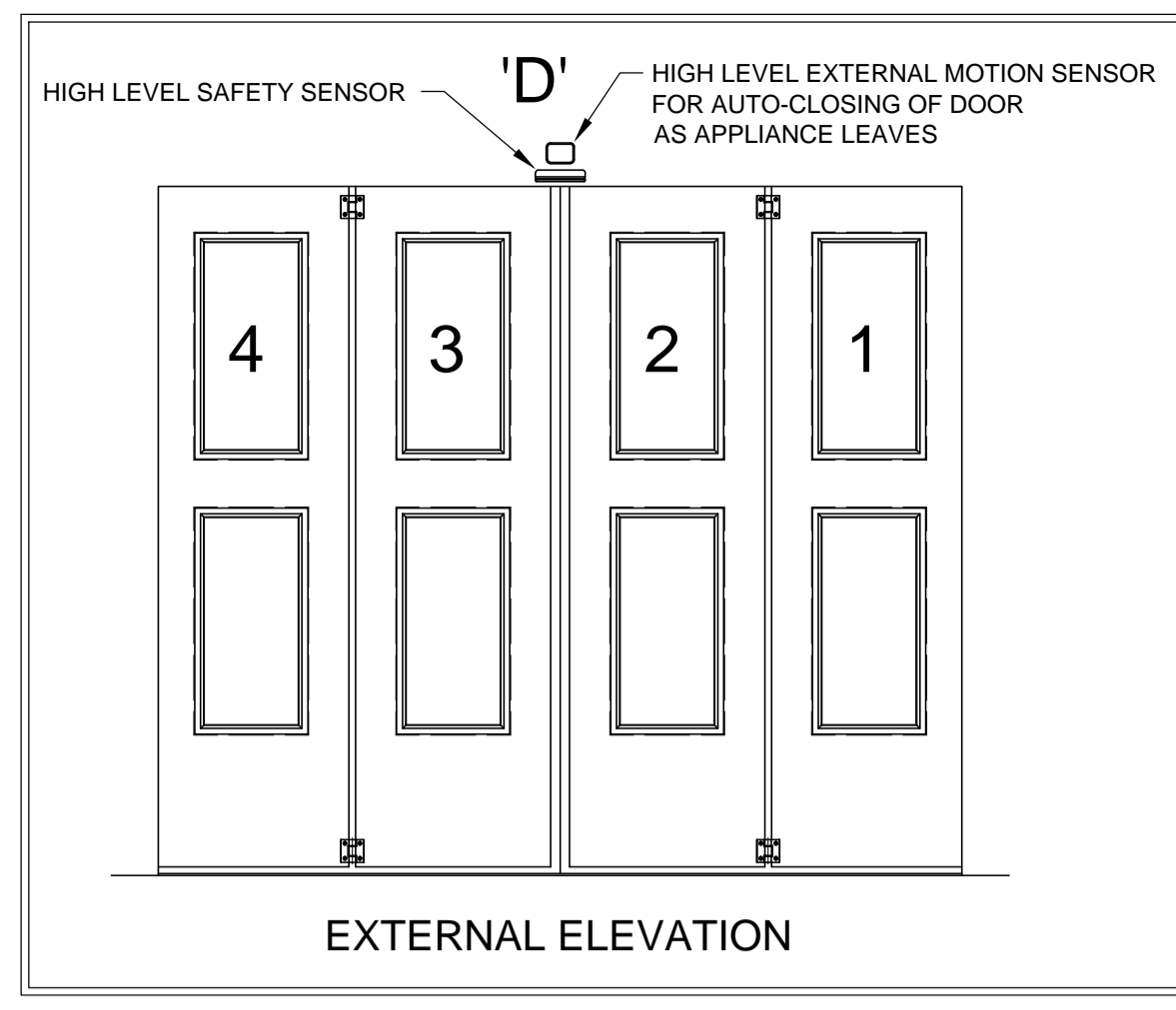


SAMPLE: TYPICAL SWT E (or SWT EFG)

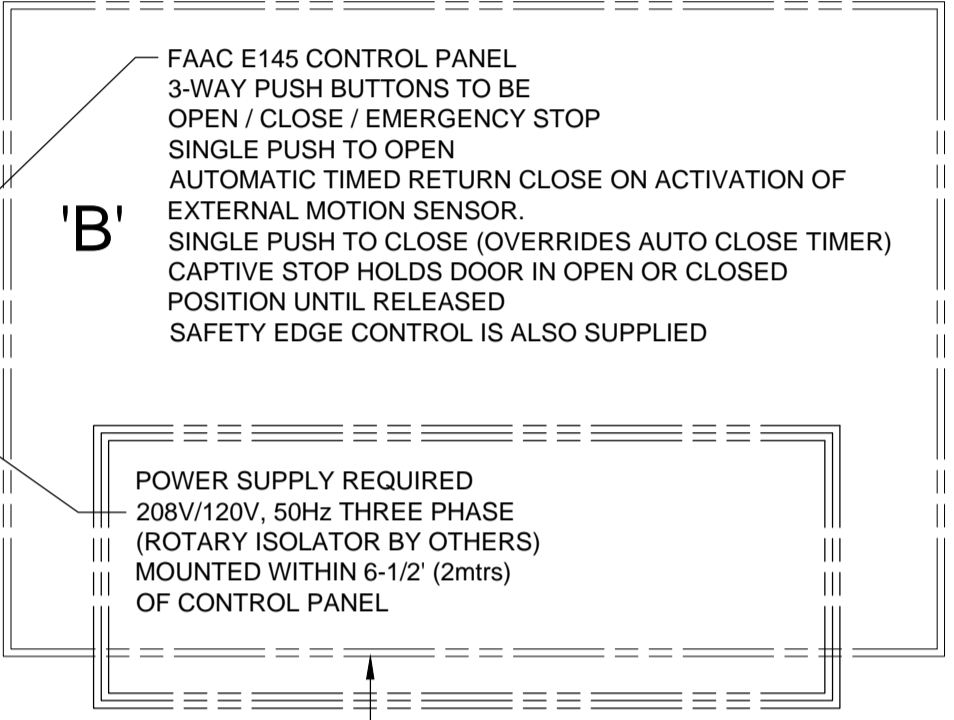


INTERNAL ELEVATION

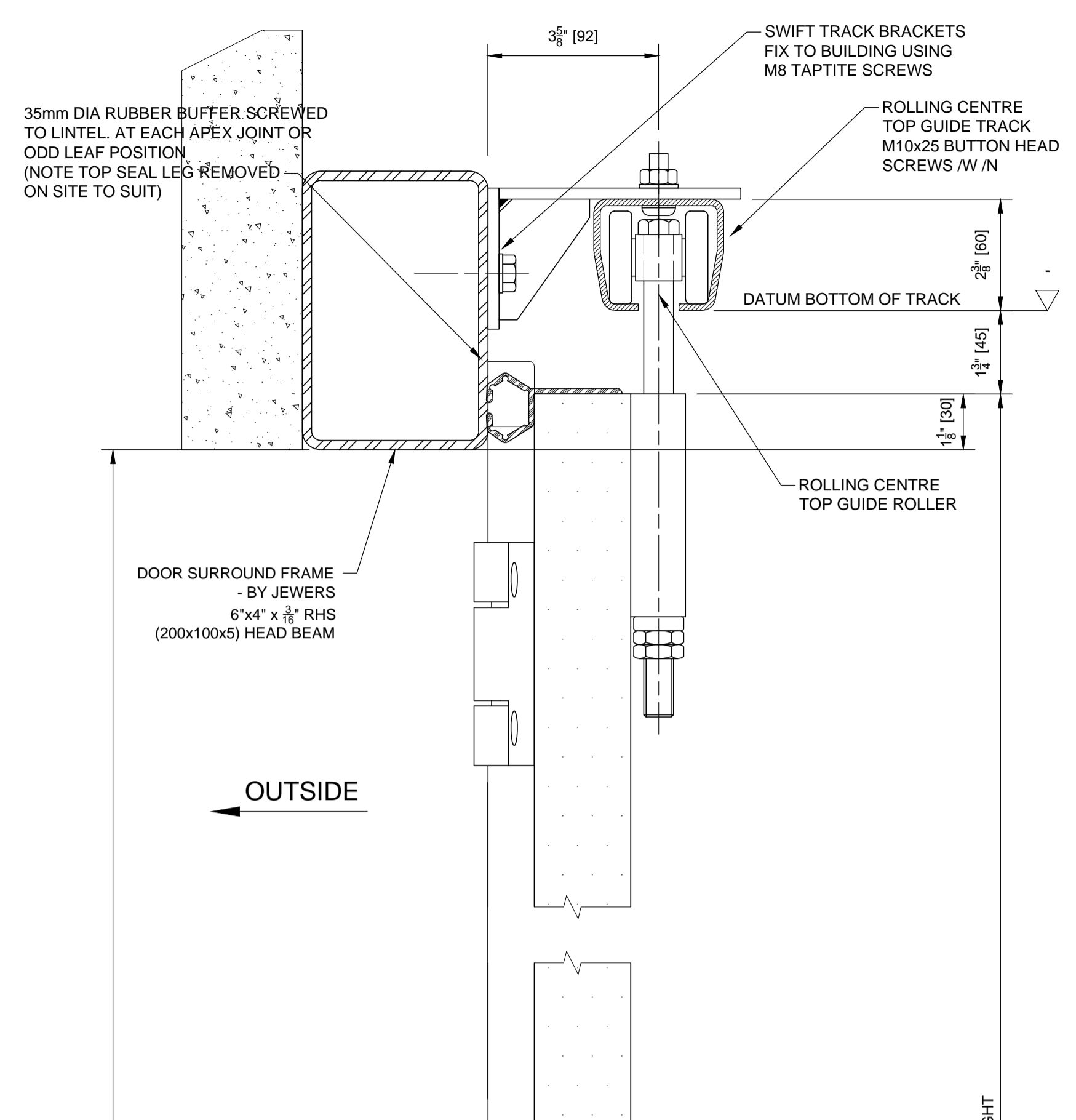


EXTERNAL ELEVATION

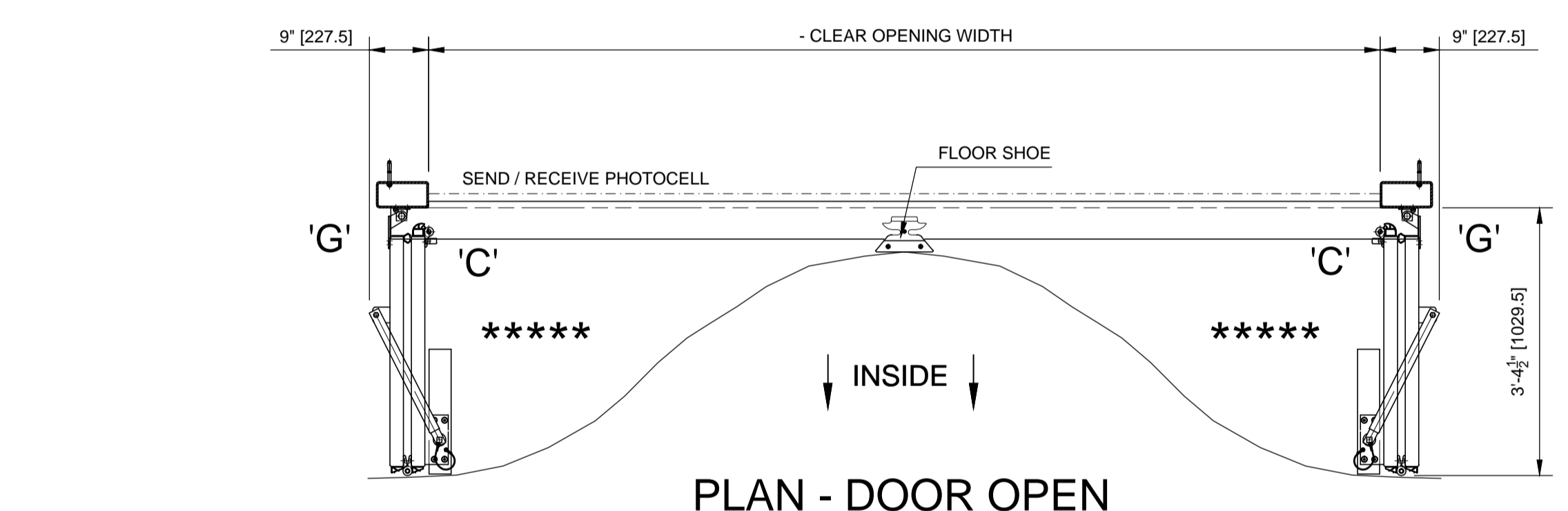
ALL WIRING TO BE CONTAINED WITH CONDUIT (BY ELECTRICAL CONTRACTOR)



CONTROL PANEL AND POWER SUPPLY POSITION TO BE AGREED ON SITE. PUSH BUTTONS SHOULD BE POSITIONED SO OPERATOR HAS UNOBSTRUCTED VIEW OF OPENING AND DOOR.



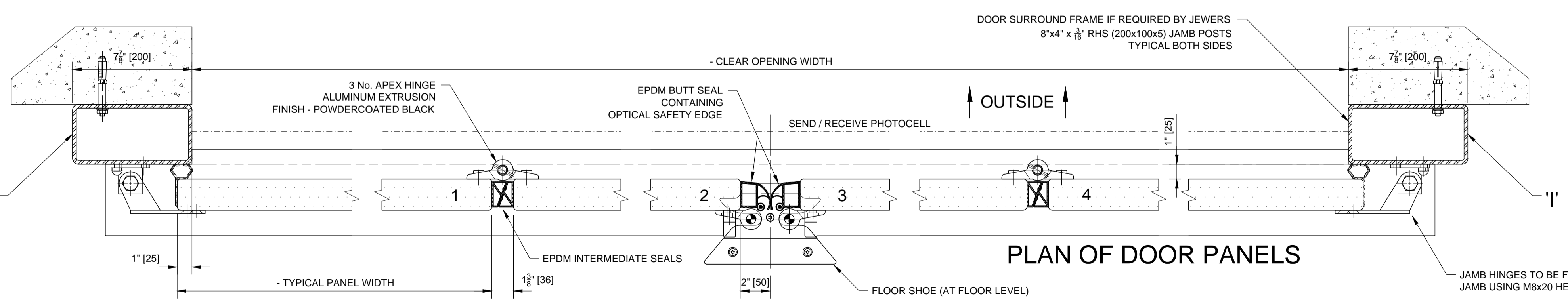
VERTICAL SECTION THRO DOOR LEAVES



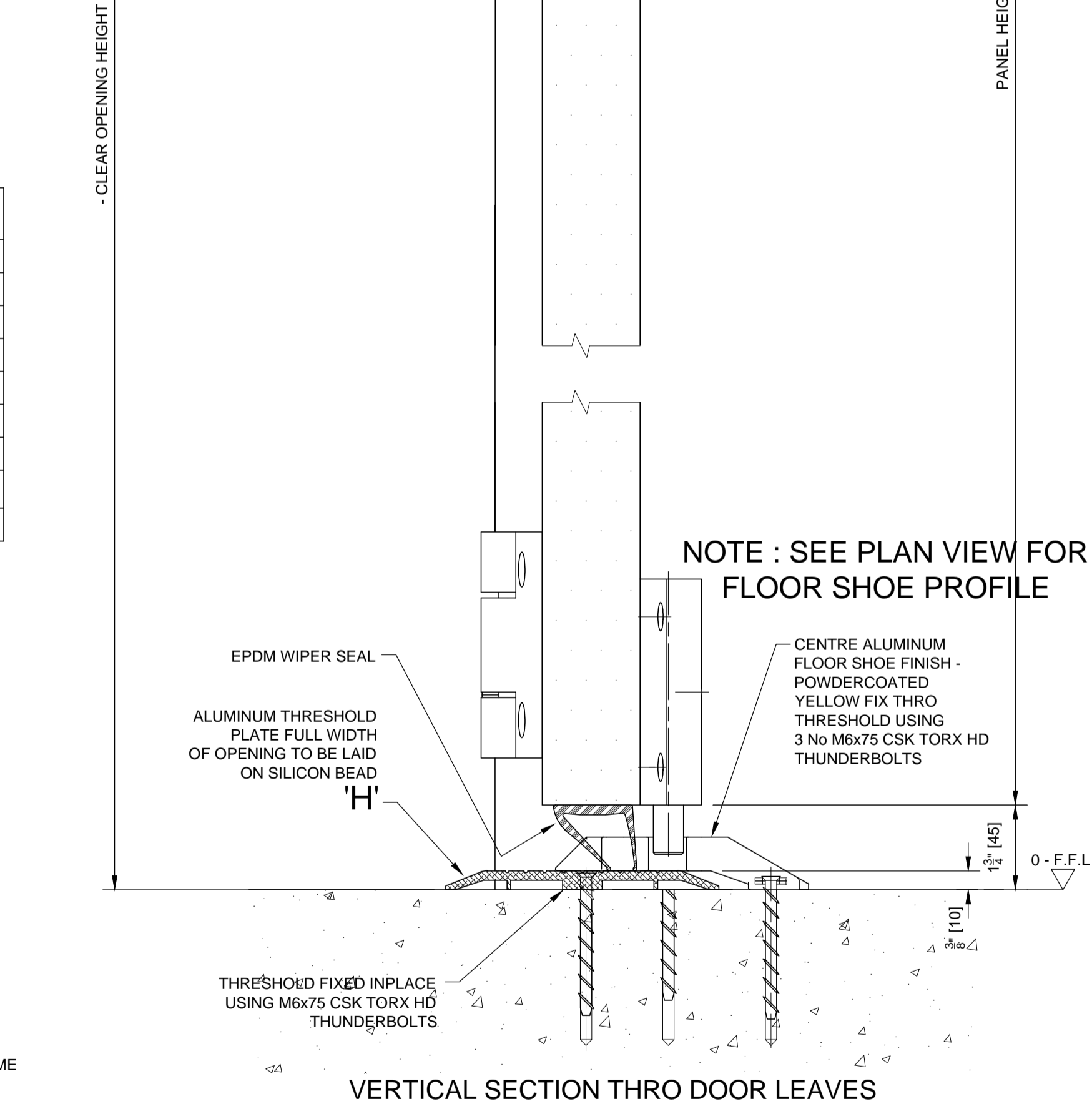
PLAN - DOOR OPEN

NOTE: FINISHED FLOOR MUST BE WITHIN +/- 1/8" OF FFL (0000) ACROSS THE OPENING, AND THE INTERNAL FLOOR MUST BE FLUSH WITH, OR LOWER THAN FFL (0000) IN THE AREA SWEEP BY THE DOOR LEAVES AS MARKED BY ***** IN ADJACENT PLAN VIEW

KEY	
A	LOW PROFILE OPERATORS (w/ ANTI-ENTRAMENT)
B	FAAC E145 CONTROL PANEL (NEMA 4)
C	LEAD EDGE SENSOR
D	EXTERIOR PRESENCE SENSOR
E	TRAVEL PATH FOLD SENSOR
F	PHOTOCELL (AVAILABLE INTERIOR AND / OR EXTERIOR)
G	LOW PROFILE JAMB HINGE (2")
H	HIGH TRAFFIC 3/8" THRESHOLD
I	TUBULAR WALL PROFILE



PLAN OF DOOR PANELS



NOTE: SEE PLAN VIEW FOR FLOOR SHOE PROFILE

NOTES
STRUCTURE OF OPENING MUST BE SUITABLE TO ACCEPT FIXING BOLTS AND ADEQUATE TO TAKE WEIGHT OF DOOR. DOOR WEIGHT:- lbs EACH
QUANTITY
FINISH
EXTERNAL: 0.9mm GALV SHEET STEEL POWDERCOATED COLOUR - (RAL COLOUR T.B.A.) 30% GLOSS
INTERNAL: 0.9mm GALV SHEET STEEL POWDERCOATED COLOUR - (RAL COLOUR T.B.A.) 30% GLOSS

WINDOWS
<input type="checkbox"/> 8 600x1200 DOUBLE GLAZED VISION PANEL
<input type="checkbox"/> NR 400x600 D/G VISION PANEL
<input type="checkbox"/> NR 400x1200 D/G VISION PANEL
<input type="checkbox"/> NR 600x600 D/G VISION PANEL
<input type="checkbox"/> NR 600x1200 D/G VISION PANEL
LOCKING - AT APEX HINGE JOINT
<input type="checkbox"/> NONE - DRIVE HOLDS DOOR FIRM
<input type="checkbox"/> NR LEVER OPERATED FLOOR BOLT + INTERLOCK LEADING EDGE FLOOR LOCK
<input type="checkbox"/> FLOOR SHOE

POWER OPERATION/SAFETY FEATURES
<input type="checkbox"/> LEADING EDGE OPTICAL SAFETY EDGE
<input type="checkbox"/> SEND / RECEIVE PHOTOCELL TO EXTERNAL FRAME
<input type="checkbox"/> LOW LEVEL MANUAL RELEASE
<input type="checkbox"/> EXTERNAL HIGH LEVEL SAFETY SENSOR
<input type="checkbox"/> INTERNAL LEAF MOUNTED SAFETY SENSOR
<input type="checkbox"/> EXTERNAL HIGH LEVEL MOTION SENSOR (TO CLOSE DOORS)
<input type="checkbox"/> RADIO CONTROL - OPEN AND CLOSE THIS DOOR 1 x 1 CHANNEL TRANSMITTER

NOTES:
ALL DIMENSIONS IN BRACKETS IN mm
DOOR SURROUND FRAME - BY JEWERS TO BE FINISHED AS FOLLOWS PAINTED - BLACK RAL 9005
DOOR TO BE MECHANICALLY INSTALLED IN ACCORDANCE WITH THIS DRAWING AND INSTALLATION BOOKLET OSPMECH-8106-ISS002 / SWTMECH-8006-ISS004 / KNFMECH-8306-ISS002

A	FIRST ISSUE		
ISSUE	CHECKED	DATE	SIGNED
DRG TITLE	PROJECT REF		
GENERAL ARRANGEMENT SWIFT 2+2 LEAF ELECTRICALLY OPERATED BI-FOLDING DOOR	TYPICAL FIRE STATION USA APPARATUS BAY DOOR		
DRAWING NUMBER	SK-001		