



Installation Instructions

Hardware Provided

2 – 12-24 x 2" Machine Screws
2 - #10 Flat Washers

2 – 12-24 Nuts
2 – 1/4" Lock Washers

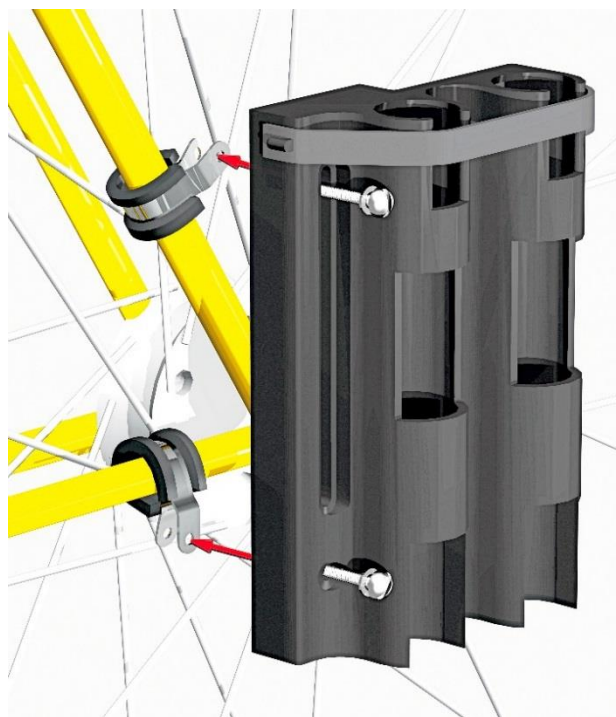
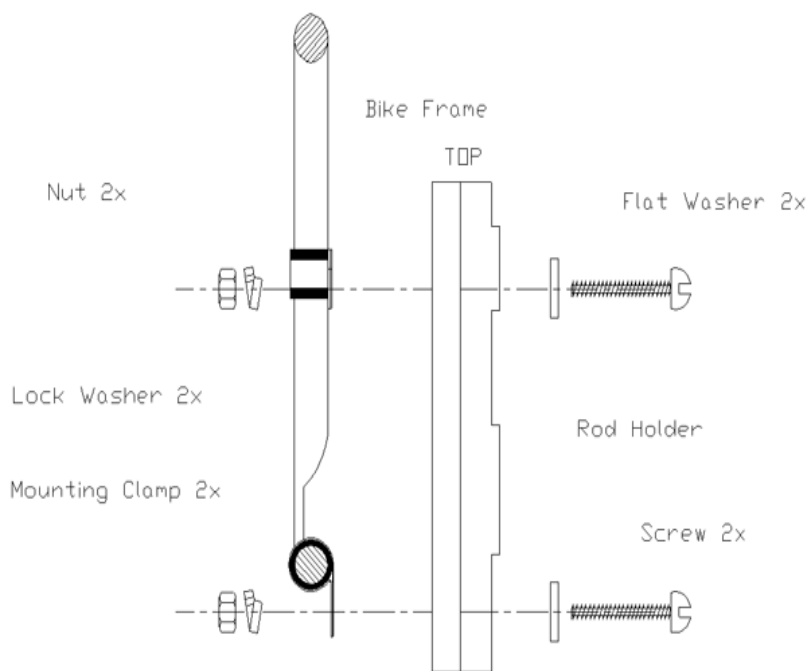
2 – 3/4" Loop Clamps ***
2 – 5/8" Loop Clamps ***

1. Place two loop clamps on rear left side of bike frame, one clamp around top support, one around bottom support with flat side of clamps facing outward.
2. Install one #10 flat washer onto one 12–24 x 2" screw and place through bottom hole of rod holder. Place screw thru bottom clamp, and install lock washer and nut. (**Do Not Tighten**)
3. Repeat step 2 for top hole of rod holder.
4. Adjust angle and height of rod holder to desired position* and tighten both screws, **Do Not Over Tighten**, only needs to be snug. (make sure rods have enough clearance to clear the ground while you ride)
5. Secure with strap after fishing rods are inserted**. To remove strap, gently pull it back towards the wheel and lift away from the holder. Strap holes and posts are lightly lubricated for ease of use and durability.

*Note 1: *Clamp holes can be downward on bottom support and upward on top support or reversed for a wider range of adjustment, if needed.*

Note 2: **Leave strap unhooked from right side when not in use to preserve its strength & elasticity.

***Note 3: *We provide two sizes of Loop Clamps to accommodate most bike frame diameters. Larger sizes are available if required. Please email bikefisherman@optimum.net for more information.*



If for any reason you have difficulty installing the Bike Fisherman or our product has not met your expectations in any way please email us at bikefisherman@optimum.net and someone will get back to you promptly.

Satisfaction and Refund Policy

We want you to be pleased with your purchase and offer a 100% satisfaction guarantee. If you are not completely satisfied with the merchandise you receive from us for any reason, just send your item back to us within 30 days of purchase along with a copy of your packing list.

No returns or exchanges will be accepted after 30 days. Shipping is non-refundable and a re-stocking fee of 15% applies for all returns. All returned items must be in resalable condition and include the original product tags. Items showing signs of extensive use, wear, or damage will not be accepted. Your refund will be credited within 7 days of receiving your item.

Our return policy only applies to products bought directly from the *bikefisherm.com* website. If you purchased your item(s) through a third party, such as a retail outlet, trade show, Amazon, eBay, Walmart or through a catalog, the third party's rule for return will apply. All warranty issues will be handled by InMotion Inc. (the manufacturer)

LIMITED LIFETIME WARRANTY

” Bike Fisherman – Fishing Pole Mounting System for Bikes”

InMotion Inc. (the manufacturer) warrants to the purchaser of the **Bike Fisherman – Fishing Pole Mounting System for Bikes** that it will be free from defects in materials and workmanship for the life* of the unit. If a return is deemed necessary by the manufacturer for repair or replacement, unit is to be sent to the factory, freight pre-paid by purchaser, for evaluation and warranty determination. Bike Fisherman reserves the right to determine the appropriate action for repair or replacement.

This warranty covers the “Bike Fisherman – Fishing Pole Mounting System for Bikes” ONLY and InMotion Inc. (the manufacturer) shall not be responsible for any damages experienced during use outside of the product itself. Warranty does not cover damage as a result of misuse, abuse or improper installation and manufacturer shall be held harmless for any loss experienced as a result of such issue.

If you believe that you have a warranty claim, contact Bike Fisherman by email for follow-up by one of our trained staff members. Please be sure to provide all pertinent information regarding your claim including, a complete description of the problem, the date the unit was purchased and from who the unit was purchased. Also include the original sales receipt or packing list information.

*warranty is limited to the original purchaser under normal use only. Should abuse or misuse be deemed apparent after inspection by the manufacturer, warranty is void.

NOTE: Limited Lifetime Warranty is specific to material and workmanship. Material means InMotion Inc. (the manufacturer) warranties that the ABS injected molding will not degrade and will withstand the elements under normal use. Workmanship means InMotion Inc. (the manufacturer) warranties that that the construction and design of the product complies with the terms of UCC standards.

Note: As this is a molded product, there may be minor blemishes on the surface such as streaks, swirls, and slightly raised areas. None of these affects, in any way, the utility or function of the Bike Fisherman. They commonly occur in the molding process and have no bearing on the products strength or durability.