



Installation Instructions

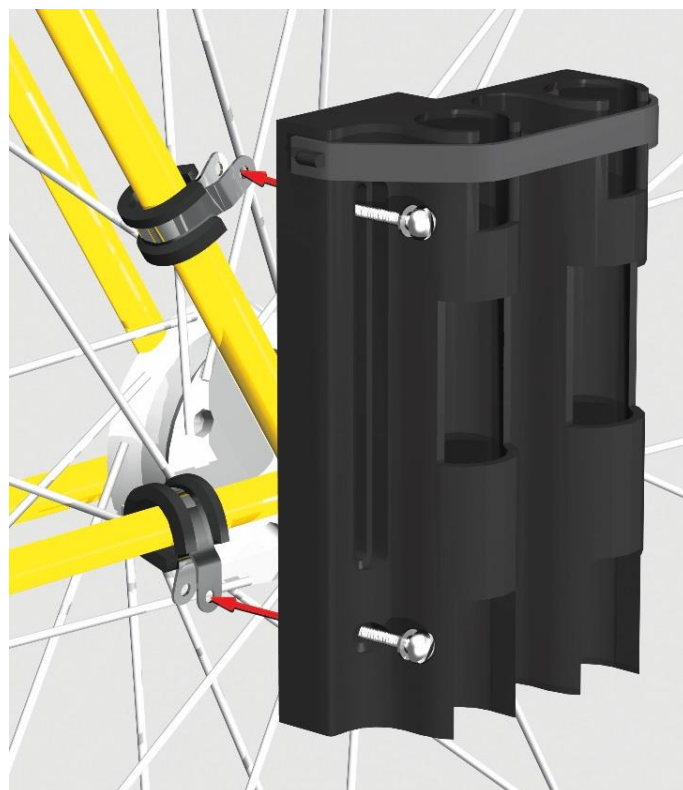
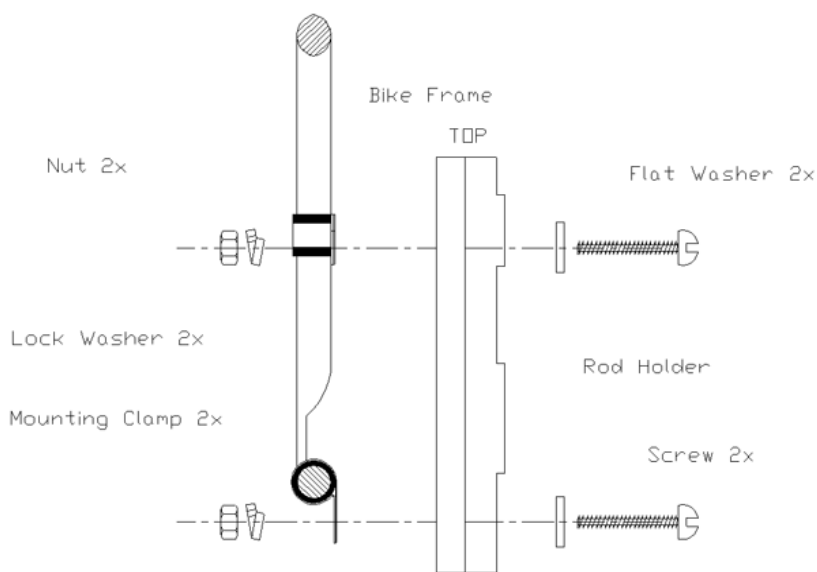
Hardware Provided

2 – 12-24 x 2" Machine Screws	2 – 12-24 Nuts
2 - #10 Flat Washers	2 – 1/4" Lock Washers
2 – 1/2" Loop Clamps *	2 – 5/8" Loop Clamps *

***note: We provide two sizes of Loop Clamps to accommodate most bike frame diameters. Larger sizes are available if required. Please email bikefisherman@optimum.net for more information.**

- Place two loop clamps on rear left side of bike frame, one clamp around top support, one around bottom support with flat side of clamps facing outward.
- Install one #10 flat washer onto one 12–24 x 2" screw and place through bottom hole of rod holder. Place screw thru bottom clamp, and install lock washer and nut. (**Do Not Tighten**)
- Repeat step 2 for top hole of rod holder
- Slide holder back until thick part of rod holder nearly touches axle nut.
- Adjust angle of rod holder to desired position* and tighten both screws, **Do Not Over Tighten**, only needs to be snug. (* [make sure rods have enough clearance to clear the ground while you ride](#))
- Secure with strap after fishing rods are inserted. To remove strap, gently pull it back towards the wheel and lift away from the holder. Strap holes and posts are lightly lubricated for ease of use.

Note 1: *Clamp holes can be downward on bottom support and upward on top support or reversed for a wider range of adjustment, if needed.*



If for any reason you have difficulty installing the Bike Fisherman or our product has not met your expectations in any way please email us at bikefisherman@optimum.net and someone will get back to you promptly.