

Kiddery Toys



WOODEN KITCHEN MODEL BKW101

ASSEMBLY INSTRUCTIONS

Scan QR CODE for
Assembly Video



For assistance with assembly or replacement parts
please contact us: Text or Call 914-623-8794
1-844-KIDDERY (543-3379)

Email: support@kidderytoys.com

Assembly video is available on our website
www.kidderytoys.com

WARNING

WARNING: CHOKING HAZARD! Contains small parts that can be swallowed. Not suitable for children under 3 years old.

INSPECT THIS PRODUCT BEFORE EACH USE. TIGHTLY SECURE CONNECTIONS AND REPLACE DAMAGED OR WORN COMPONENTS. CONTACT THE KIDDERY TOYS COMPANY FOR REPLACEMENT PARTS.

- Adult assembly by hand screwdriver required.
- Instruct children not to use the product until properly assembled.
- Provide continuous adult supervision at all times.
- Use caution, not to over-tighten screws or they will not hold parts together appropriately.
- For permanent assembly wood glue is recommended

ADVERTENCIA: PELIGRO DE ASFIXIA! Contiene piezas pequeñas que pueden ser tragadas. No apto para menores de 3 años.

- Requiere ensamblaje por parte de un adulto con un destornillador manual.
- Indique a los niños que no utilicen el producto hasta que esté correctamente ensamblado.
- Proporcione la supervisión continua de un adulto en todo momento.
- Tenga cuidado de no apretar demasiado los tornillos o no mantendrán las piezas juntas de manera adecuada.
- Para montaje permanente se recomienda cola para madera

Please retain this information for future reference.



FEATURES

This wooden kitchen playset comes with various accessories included, for your little one to have countless hours of fun and play!



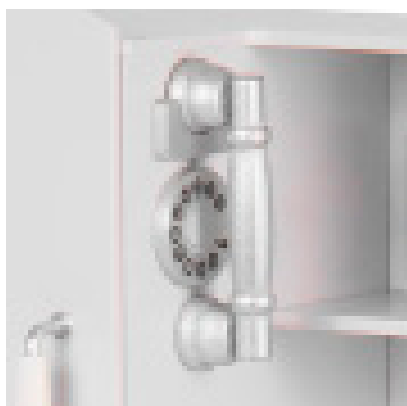
Realistic Stove



Utensil Hanger



Ice Dispenser



Vintage Telephone Holder



Realistic Sink

Accessories Included:

- 1 x Pot With Lid
- 1 x Pan
- 1 x Plastic Cup For Ice
- 3 x Wooden Cooking Utensils
- 1 x Vintage Telephone



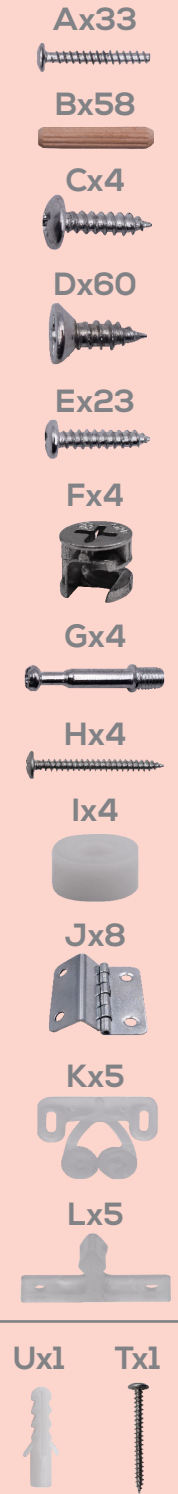
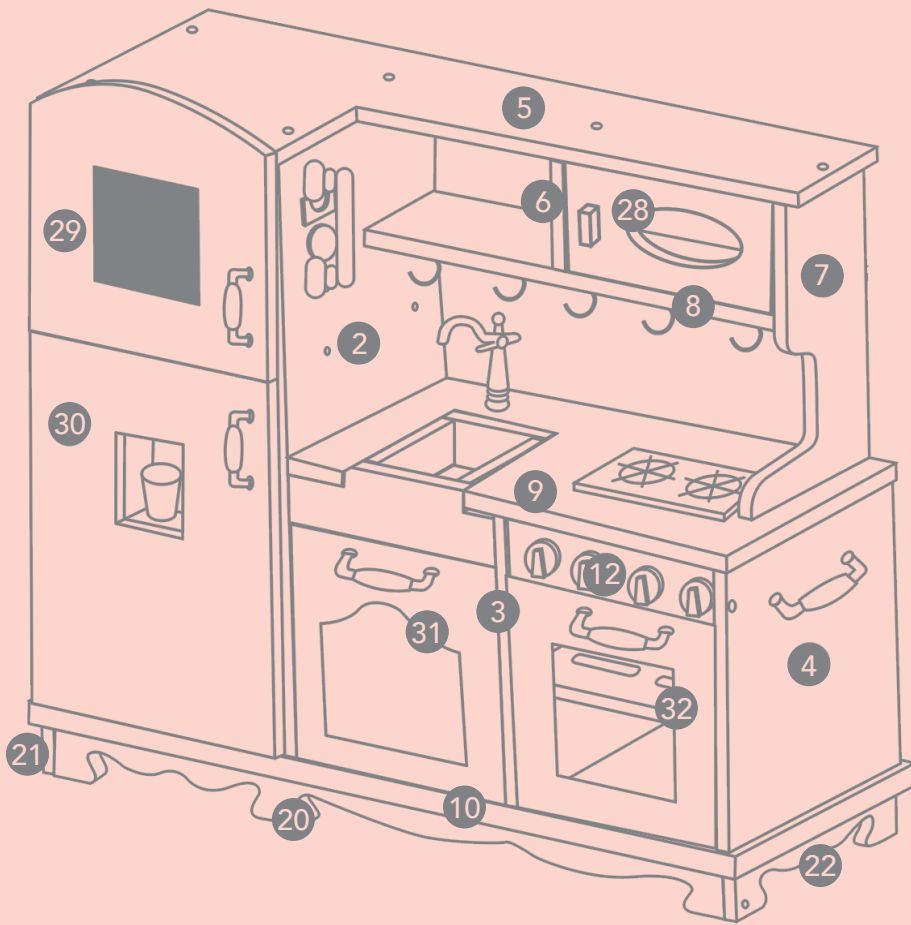
Imaginary Blackboard For Notes



Pretend Oven with Knobs and Baking Rack



Kitchen Towel Rack



PARTS

1

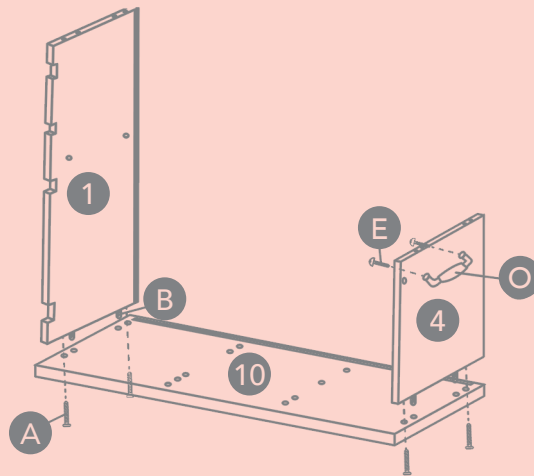
Ax4



Bx4



Ex2



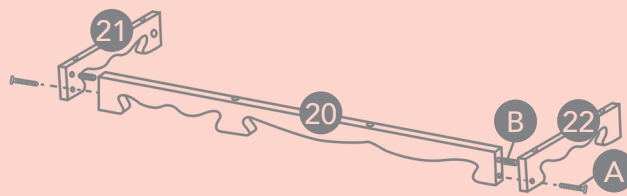
- Fasten handle **O** to **4** using screws **E**.
- Insert **B**'s into inner bottom holes of **1 & 4**
- Then lay down **1,4, & 10** and secure using screw **A**.

2

Ax2



Bx2



Insert **B** into **20**'s upper side holes.

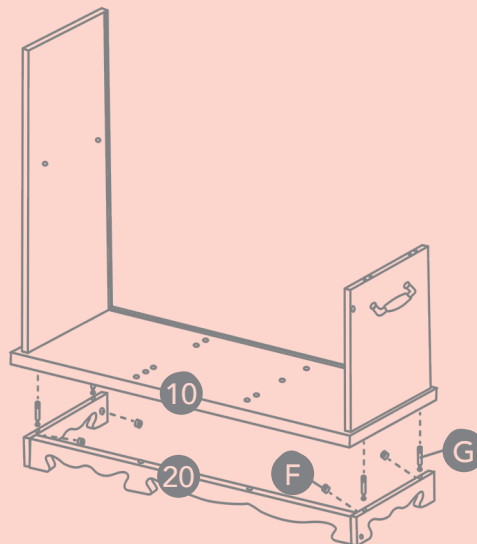
Fasten **21 & 22** to **20** by using screw **A**.

3

Fx4



Gx4



Screw all 4 part **G**'s into bottom of item **10** corner holes.

Insert **F**'s into side holes of part **21 & 22** keep the opening upwards.

Fasten **10** to **20** by turning **F** so it locks **G** into place.

4

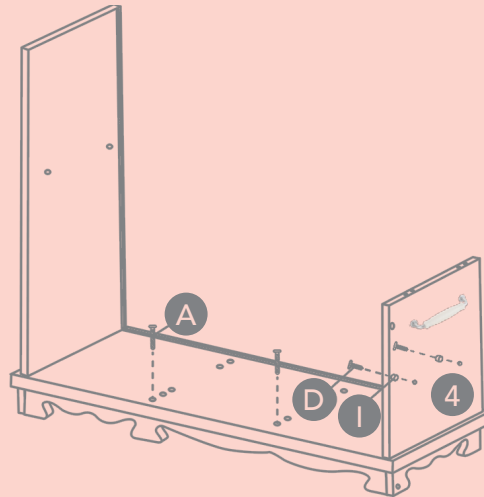
Ax2



Dx2



Ix2



- Insert **A** to base holes.
- Install shelf holders by inserting screw **D** thru part **I** and screw onto part **4** from the inside refer to image **5** for left side shelf holders.

5

Ax3



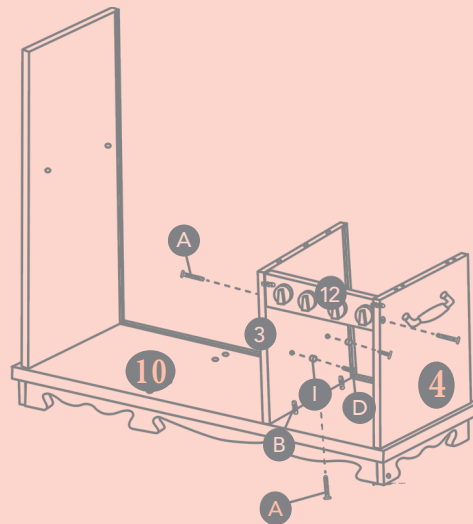
Bx4



Dx2



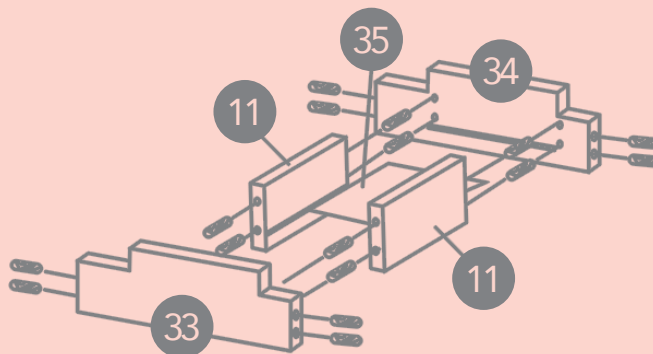
Ix2



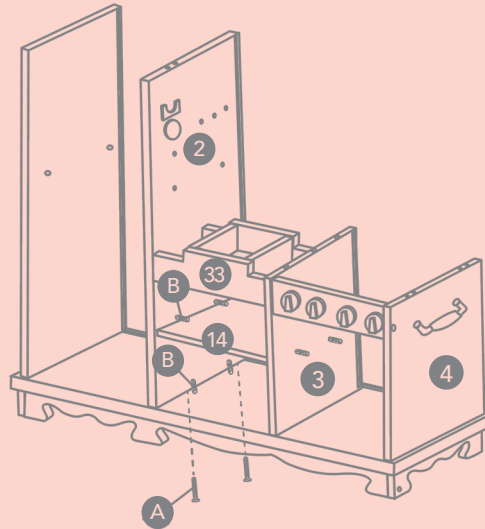
- Lay set on backside and connect **3** to **10/ base** using **B** and **A** as shown.
- Connect **12** to **4** and **3** using **B** in upper holes and screws **A** in lower.
- Shelf holders installation by Inserting screws **D** thru the hole of part **I** to screw onto the inner side holes of part **3** and **4** as shown.

6

Bx16

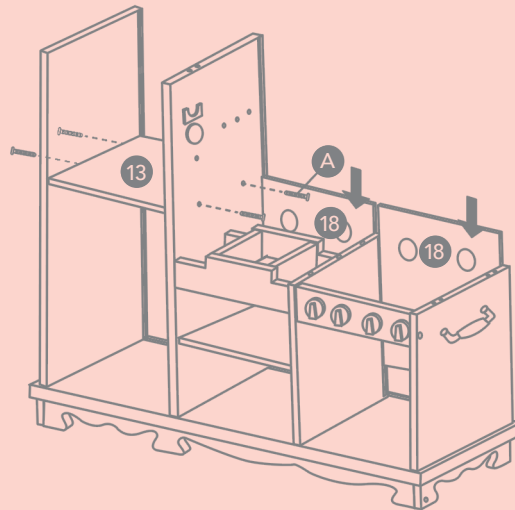


- Insert **B's** in holes of **11**, **33**, **34**, and **35** (using Wood Glue could help hold the **B's** in place while assembling)



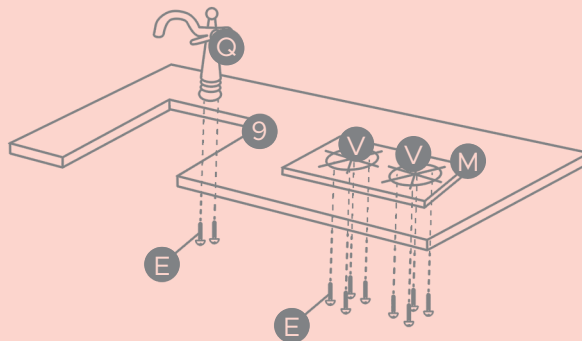
- Lay set on backside and place item **33/ sink** assembly between **2** and **3** while also locking in shelf **14** with the **B**'s.
- Connect item **2** to with **B** and screws **A** (may require 2 people)

7



- Slide in shelf **13** between **1** and **2** and connect using screws **A**.
- Slide parts **18** in back slots as shown.

8



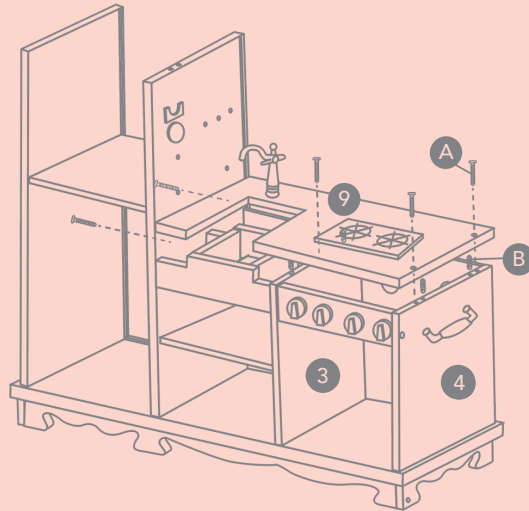
- Fasten faucet **Q** on item **9** using screws **E**
- Place part **M** on **9**, then place **V**'s on top, guide screws **E** from bottom thru part **9** (May experience some difficulty to align thru M&V) Make sure to tighten the screws after.

9

Ax5



Bx4



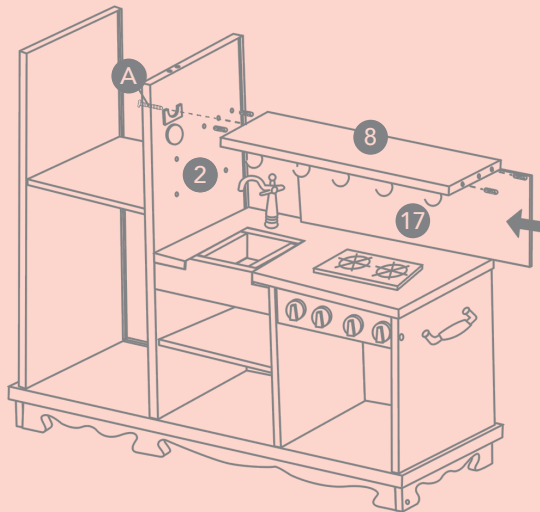
- Insert **B**'s into inner holes of part **4** and **3** then connect **9** to base using **A**.

10

Ax1



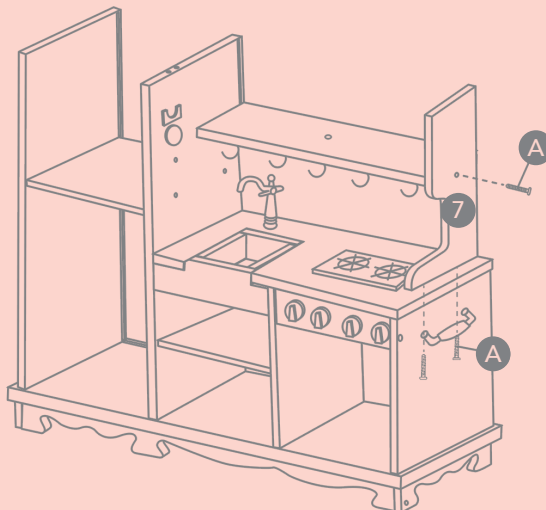
Bx4



- Insert **B**'s into outer holes of **8**.
- while holding **8** in place slide **17** in slot and use screw **A** as shown thru part **2**. (may need 2 people)

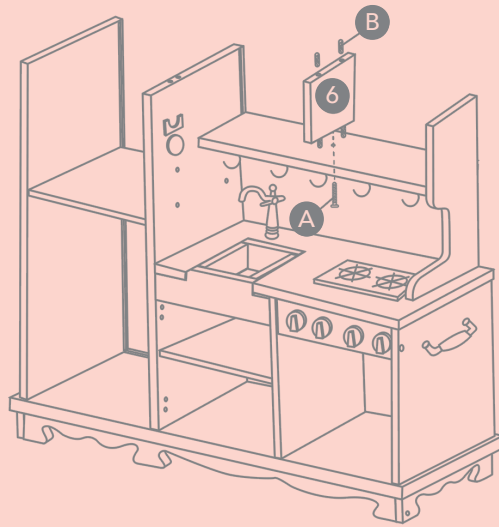
11

Ax3



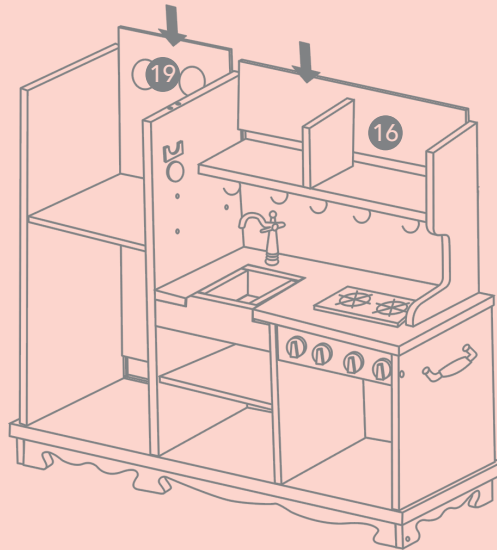
- Connect item **7** to **8** and base using **A**. as shown

12



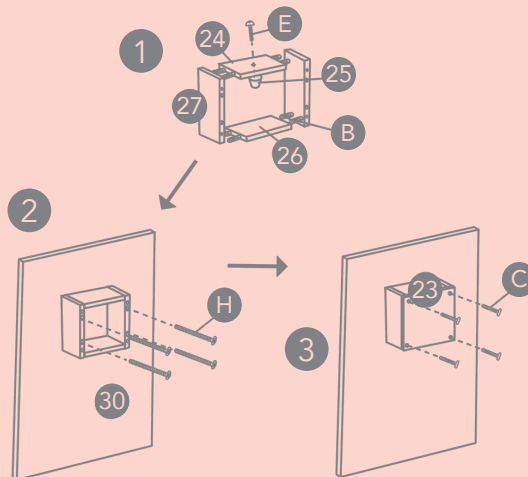
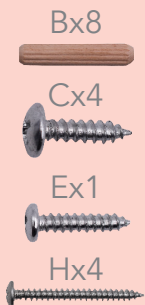
- Insert **B** into **6** as shown and secure with screw **A** thru item **8**.

13



- Slide in items **19** and **16**.

14

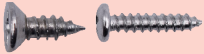


Icemaker Assembly Steps:

1. Take one of item **27** and insert screw **H** thru the wider holes and screw onto door **30**.
2. Insert **B**'s into **24** and **26** as shown, (using Wood Glue could help hold the **B**'s in place while assembling.)
3. Hold **24** & **26** to the already mounted **27** then screw on opposite side **27** to door **30**.
4. Connect **23** to the assembly using screw **C**.

15

Dx14 Ex10



Lx5

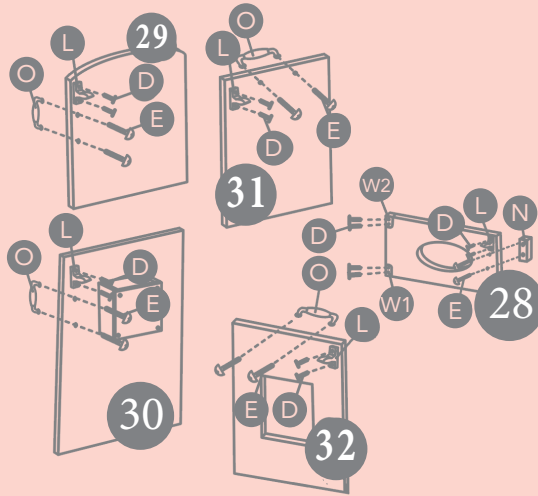


Ox4

Nx1



W1x1 W2x1



1. Fasten handles **O** to doors **29 30 31 & 32** with screws **E**
2. Connect parts **L** to **28 29 30 31 & 32** with screw **D**
3. Connect handle **N** to part **28** using screw **E**
4. Fasten hinge **W2** to top of **28 & W1** to bottom using screw **D** (some models already assembled)

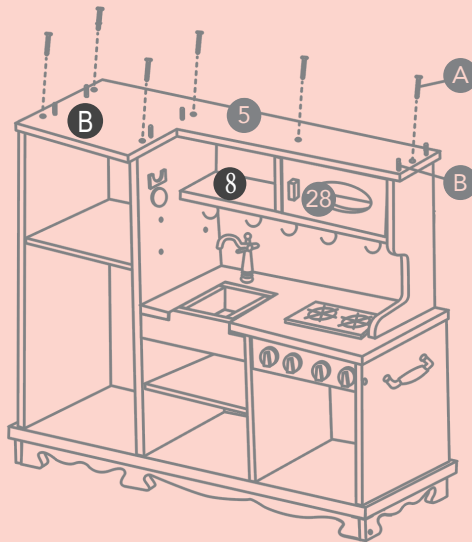


16

Ax6



Bx6



- Insert the **B**'s as shown then hold door **28** onto part **8** while connecting **5** and connecting using screws **A**

17

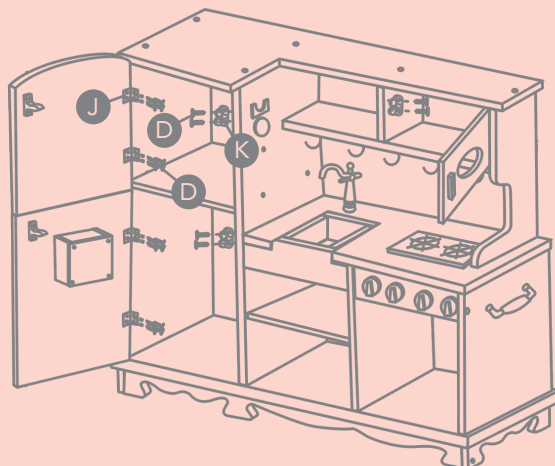
Dx22



Jx4



Kx3



- Connect the doors to the base using hinges **J** and screws **D**.
- Connect item **K** to base using **D**.



18

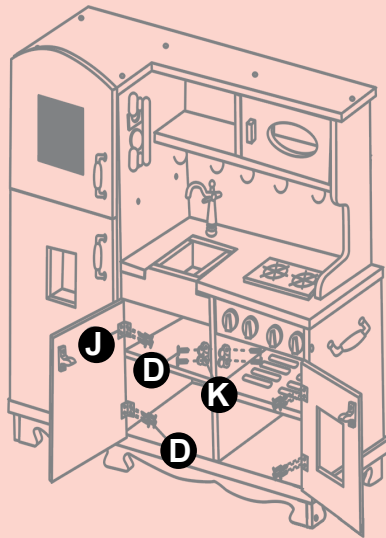
Dx20



Jx4



Kx2



- Install doors **31 & 32** using hinges **J** and screws **D** <<<<as shown.
 - Connect item **K** to base using **D**.
- Place item **P** on phone holder.

19

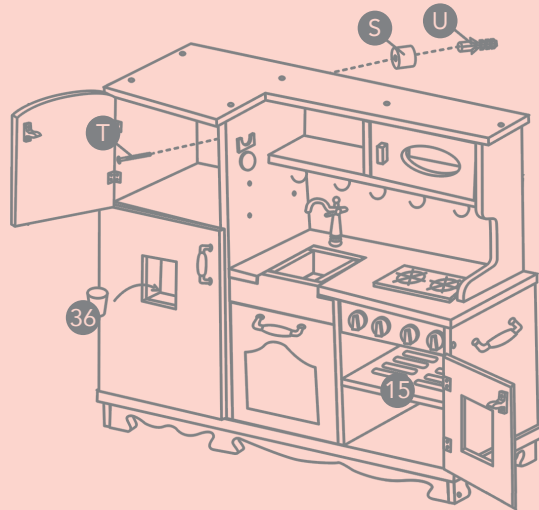
Tx1



Sx1

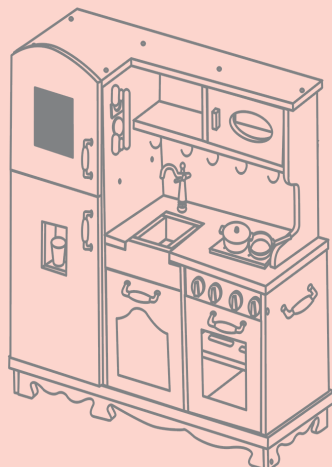


Ux1



- Slide in oven shelf **15**
- Place cup **36**
- Optional to Secure to wall by using parts **S T & U** as shown.

20



Questions? Any Help?

1-844-kiddery
(543-3379) Text or Call

Email: support@kidderytoys.com

www.kidderytoys.com

WOODEN KITCHEN TOY