

# Kiddery Toys



## WOODEN KITCHEN MODEL BKW101

---

ASSEMBLY INSTRUCTIONS

Scan QR CODE for  
Assembly Video



For assistance with assembly or replacement parts  
please contact us: Text or Call 914-623-8794  
1-844-KIDDERY (543-3379)

Email: [support@kidderytoys.com](mailto:support@kidderytoys.com)

Assembly video is available on our website  
[www.kidderytoys.com](http://www.kidderytoys.com)

WARNING

**WARNING: CHOKING HAZARD! Contains small parts that can be swallowed. Not suitable for children under 3 years old.**

INSPECT THIS PRODUCT BEFORE EACH USE. TIGHTLY SECURE CONNECTIONS AND REPLACE DAMAGED OR WORN COMPONENTS. CONTACT THE KIDDERY TOYS COMPANY FOR REPLACEMENT PARTS.

- Adult assembly by hand screwdriver required.
- Instruct children not to use the product until properly assembled.
- Provide continuous adult supervision at all times.
- Use caution, not to over-tighten screws or they will not hold parts together appropriately.
- For permanent assembly wood glue is recommended

ADVERTENCIA: PELIGRO DE ASFIXIA! Contiene piezas pequeñas que pueden ser tragadas. No apto para menores de 3 años.

- Requiere ensamblaje por parte de un adulto con un destornillador manual.
- Indique a los niños que no utilicen el producto hasta que esté correctamente ensamblado.
- Proporcione la supervisión continua de un adulto en todo momento.
- Tenga cuidado de no apretar demasiado los tornillos o no mantendrán las piezas juntas de manera adecuada.
- Para montaje permanente se recomienda cola para madera

Please retain this information for future reference.



# FEATURES

This wooden kitchen playset comes with various accessories included, for your little one to have countless hours of fun and play!



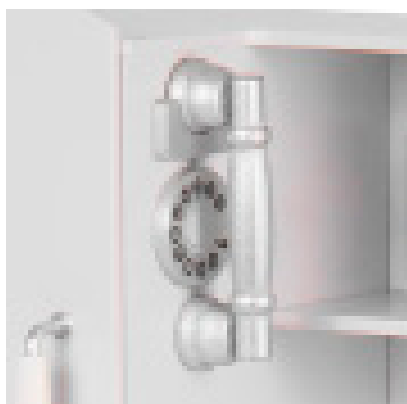
Realistic Stove



Utensil Hanger



Ice Dispenser



Vintage Telephone Holder



Realistic Sink

## Accessories Included:

- 1 x Pot With Lid
- 1 x Pan
- 1 x Plastic Cup For Ice
- 3 x Wooden Cooking Utensils
- 1 x Vintage Telephone



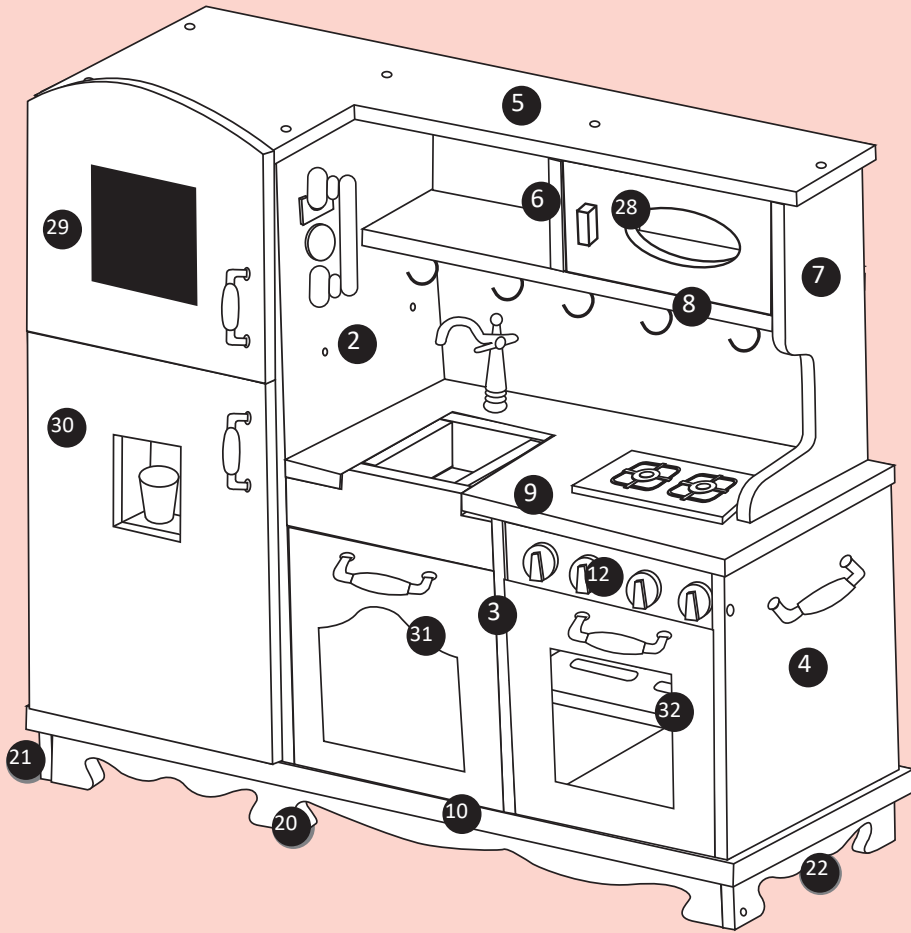
Imaginary Blackboard For Notes



Pretend Oven with Knobs and Baking Rack



Kitchen Towel Rack



**Ax35**



**Bx58**



**Cx4**



**Dx52**



**Ex20**



**Fx4**



**Gx4**



**Hx5**



**Ix4**



**Jx8**



**Kx5**



**Lx5**

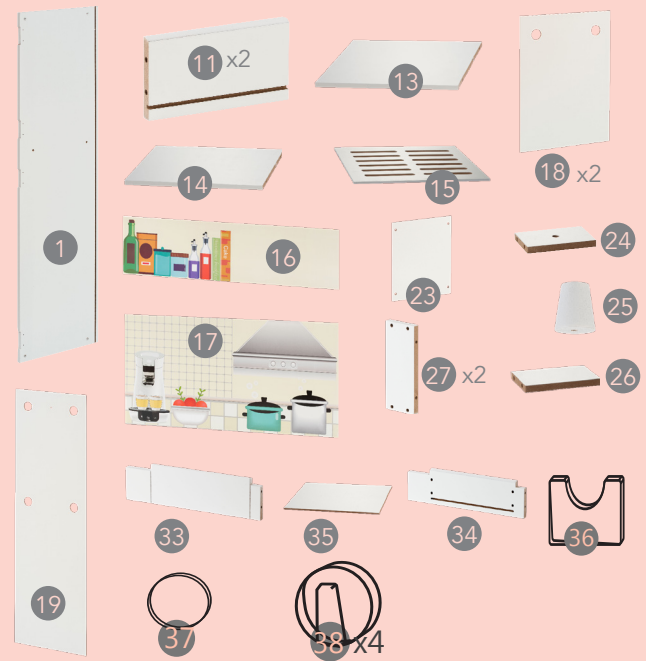


**Mx4**

**Nx4**

**Ox5**

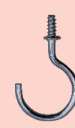
**Px1**



**Qx1**



**Rx5**



**Sx1**



**Tx1**



**Ux1**



**Vx2**



**Wx1**

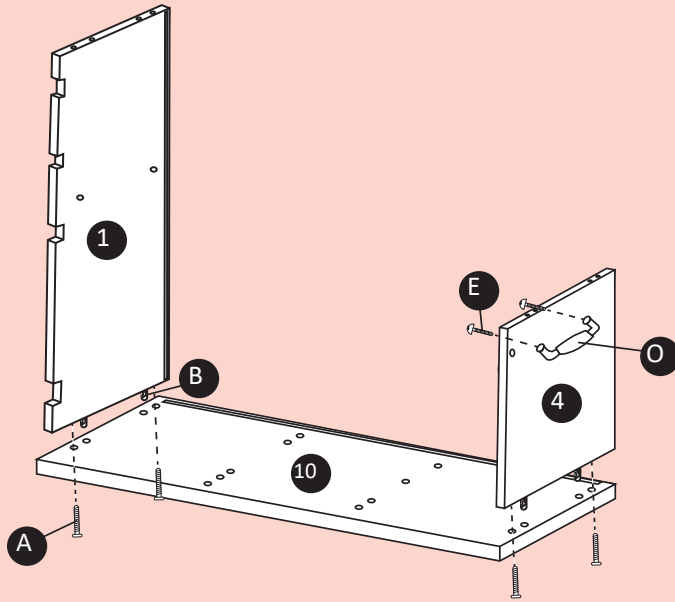


**Xx1**



# PARTS

# 1

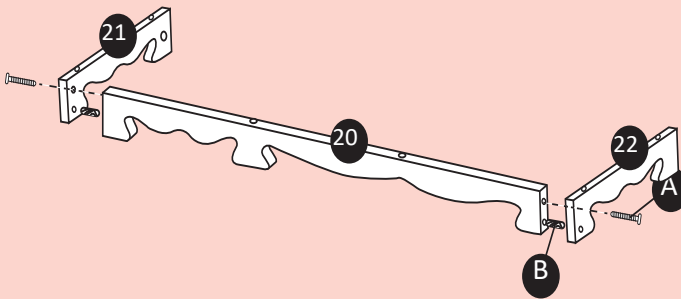


Fasten handle O to 4 using screws E.

Insert B's into inner bottom holes of 1 & 4.

Then lay 1,4, & 10 on backside and secure using screw A.

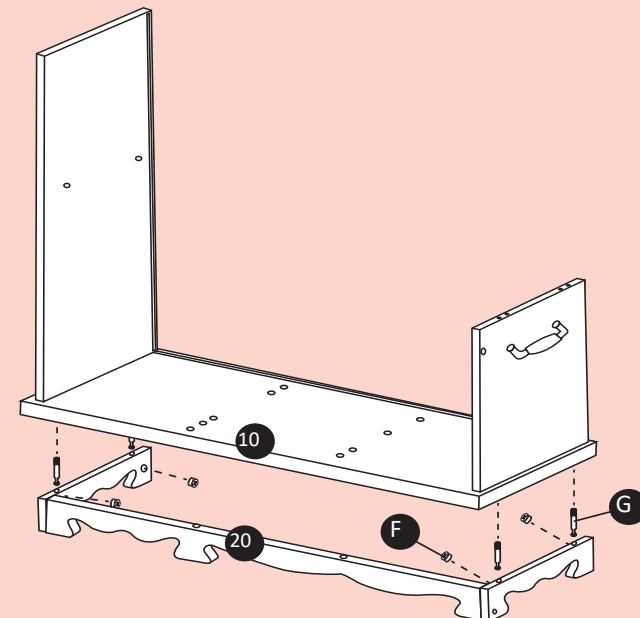
# 2



Insert B into 20's upper side holes.

Fasten 21 & 22 to 20 by using screw A.

# 3



Screw all part G's into bottom of item 10 corner holes.

Insert F's into side holes of part 21 & 22 make sure to keep the opening upwards.

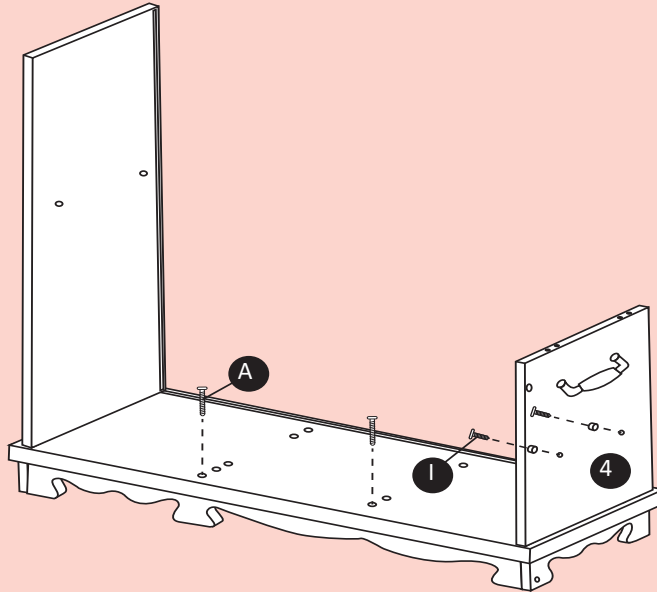
Fasten 10 to 20 by turning F so it locks G into place.

# 4

Ax2



Ix2



- Insert **A** to base holes.
- Install shelf holders **I** onto part **4** from the inside see better image **5** for left side shelf holders.

# 5

Ax3



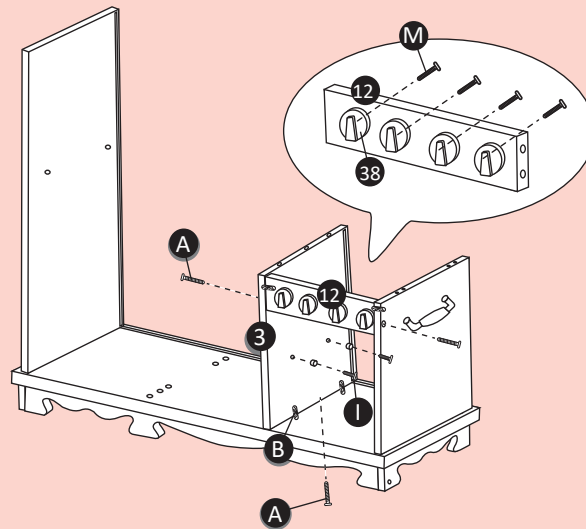
Bx4



Mx4



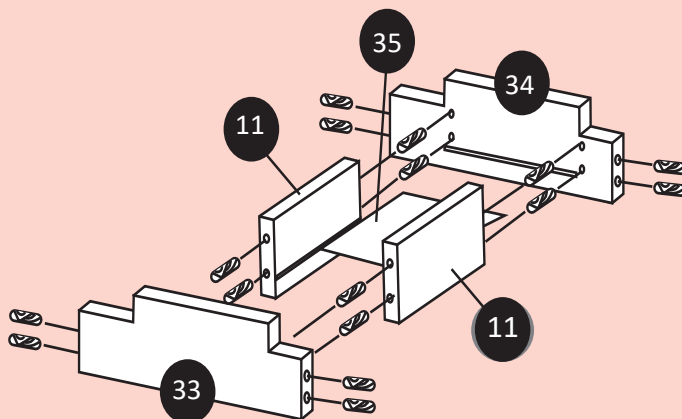
Ix2



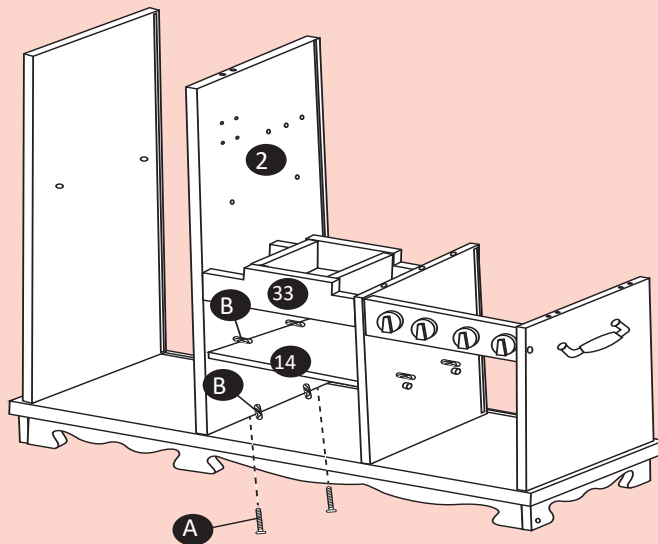
- Lay set on backside and fasten **3** to **10** using **B** and **A** as shown.
- Fasten **38/knobs** to **12** using **M** screws then insert **12** between **4** and **3** and secure using **B** in upper holes and **A** screw in lower hole.
- Install shelf holders **I** onto part **3** from the inside

# 6

Bx16

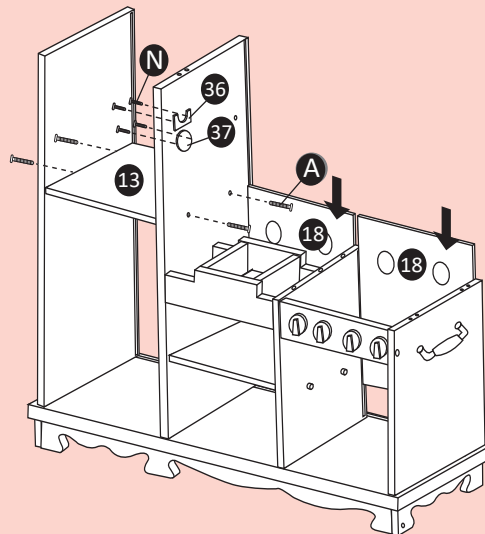


- Insert **B**'s in holes of **11**, **33**, **34**, and **35** (using Wood Glue could help hold the **B**'s in place while going to next step)



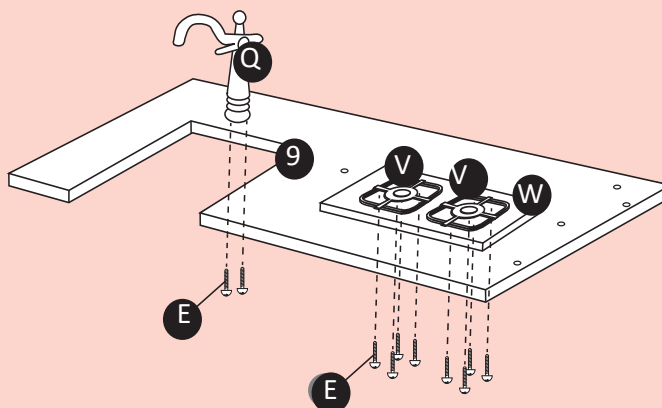
- Lay set on backside and place item **33/ sink** assembly between **2** and **3** while also locking in shelf **14** with **B**'s.
- Connect **2** with **B** and screws **A** (may require 2 people)

# 7



- Slide in shelf **13** between **1** and **2** and connect using screws **A**.
- Slide parts **18** in back slots as shown.
- Attach **36 & 37** using screws **N**. as shown

# 8



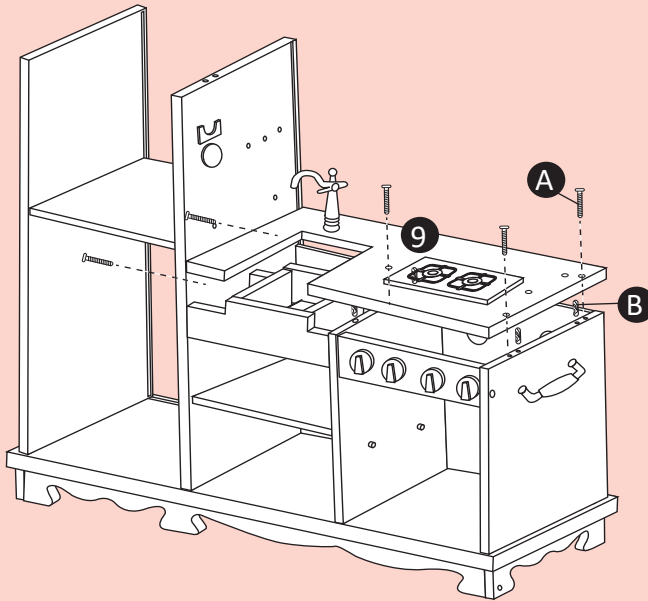
- Fasten faucet **Q** on item **9** using screws **E**
- Place part **W** on **9**, then place **V**'s on top, guide screws **E** from bottom thru part **9** do not tighten screws yet (May experience some difficulty to align thru **W&V**) Make sure to tighten the screws after all screws are inserted

# 9

Ax5



Bx4



- Insert **B**'s into inner holes of part **4** and **3** then connect **9** to base using **A**.

# 10

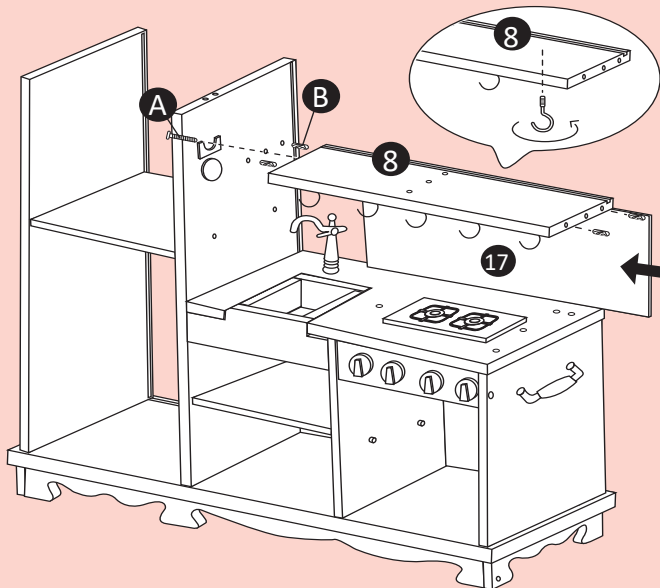
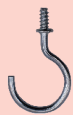
Ax1



Bx4



Rx5



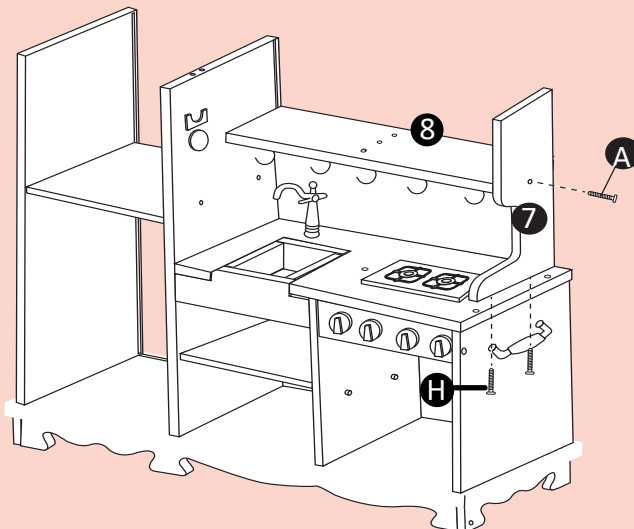
- Insert **B**'s into outer holes of **8**.
- While holding **8** in place slide **17** in slot and use screw **A** thru part **2**. (may require 2 people)
- Screw in **R**'s to **8**

# 11

Ax1



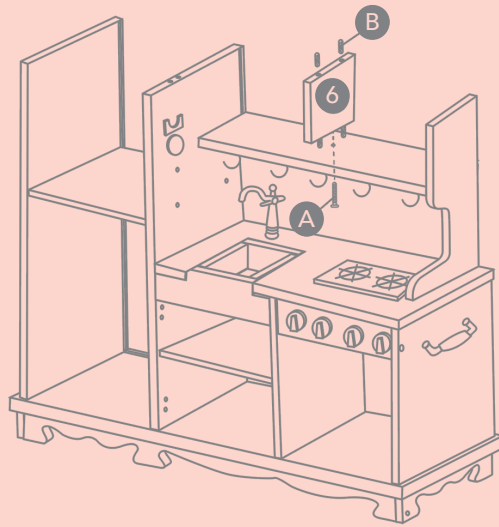
Hx2



- Connect item **7** to **8** using **A** and to **9** using **H** as shown.

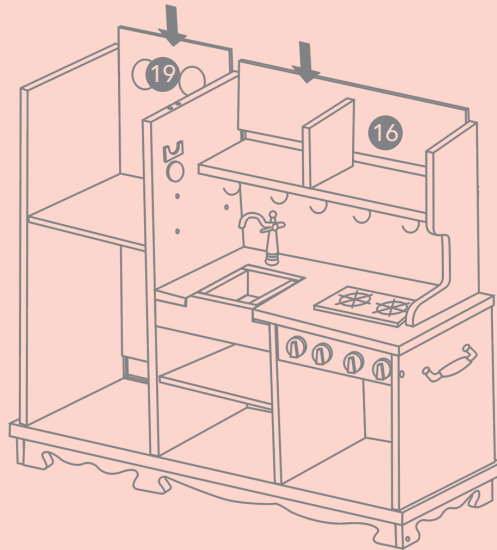


# 12



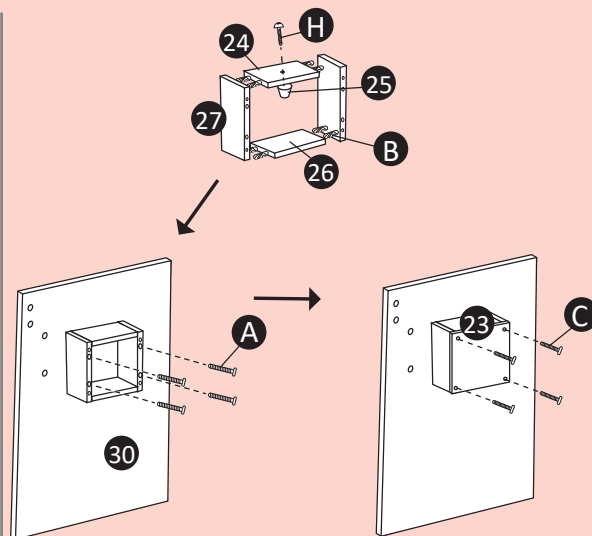
- Insert **B** into **6** as shown and secure with screw **A** thru item **8**.

# 13



- Slide in items **19** and **16**.

# 14



### Recommended Assembly Steps:

1. Fasten **25** to **24** using **H**
2. Take one of item **27** insert screws **A** thru the wider holes and screw onto door **30**.
3. Insert **B**'s into **24** and **26** as shown, (using some Wood Glue could help hold the **B**'s in place while assembling.)
4. Lock **24** & **26** to the already mounted **27** then Lock opposite side **27** and screw to door **30**.
5. Connect **23** to the assembly using screw **C**.

# 15

Dx10 Ex8

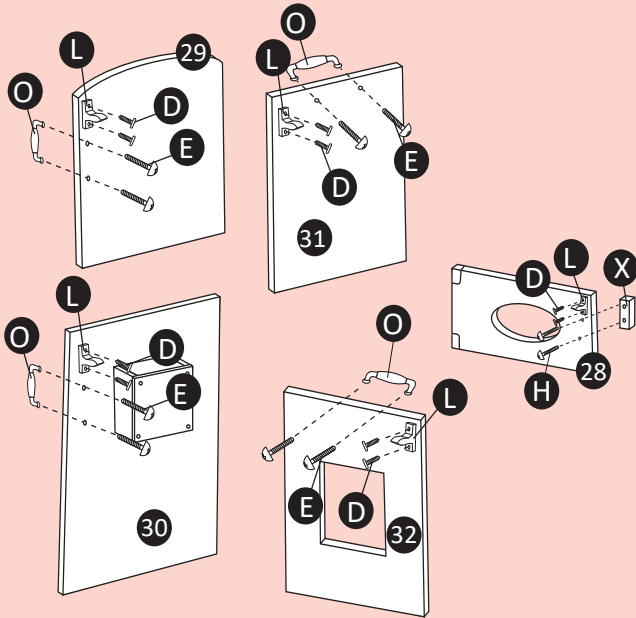


Lx5



Hx2

Ox4 Xx1



Connect handle X to 28 using H, and O to doors 29 30 31 & 32 using E.

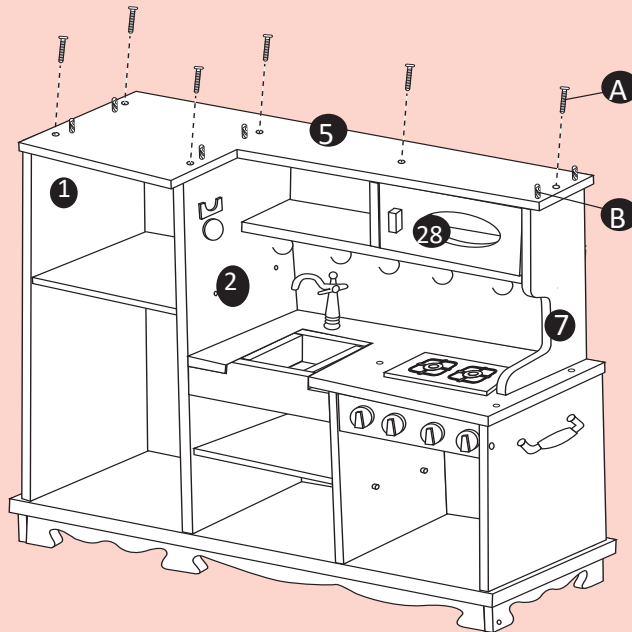
Connect L's to all doors 28 29 30 31 & 32 using D.

# 16

Ax6



Bx6



- Insert B's into the holes of 7 2 & 1 as shown.
- Place door 28 into hinge holes of part 8 while at the same time placing 5 and fastening using screws A

# 17

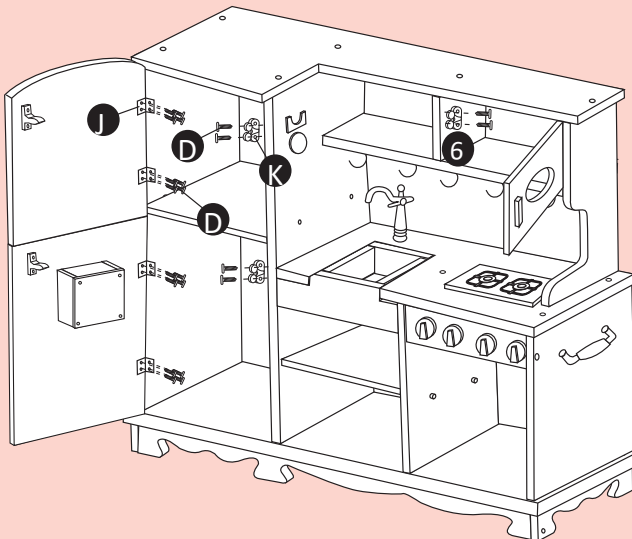
Dx22



Jx4



Kx3



- Connect doors 29&30 to base using hinges J & screws D. (see image below as every door has their unique way of installation)
- Fasten K to 2 and 6 using D.



# 18

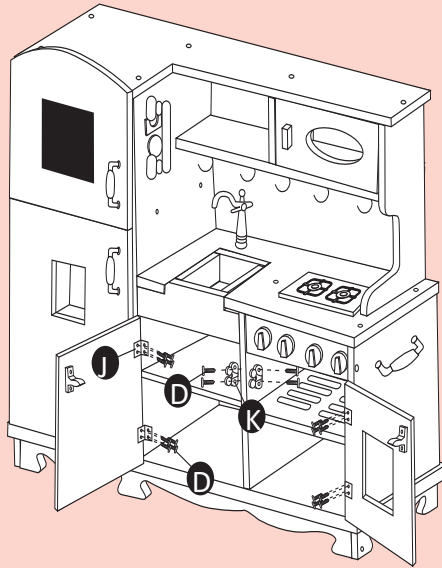
Dx20



Jx4



Kx2



Door 31 hinge

- Install doors 31 & 32 using hinges J and screws D (see image on left as every door hinge has unique way of installation)
- Connect item K to base using D.
- Place item P on phone holder.

# 19

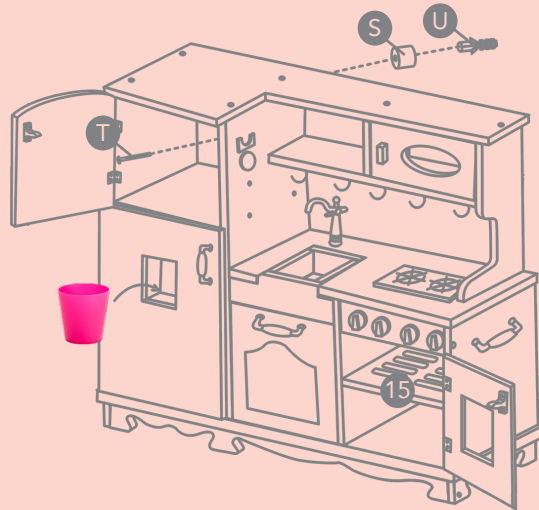
Tx1



Sx1



Ux1



- Slide in oven shelf 15
- Place cup
- Option to Secure to wall by using parts T S & U as shown.

# 20

Scan QR to share what your child enjoys most about the set, wood, looks, features etc.



Questions? Help? Replacements?

1-844-kiddery  
(543-3379) Text or Call  
24-7 text help 914-623-8794

Email: [support@kidderytoys.com](mailto:support@kidderytoys.com)

[www.kidderytoys.com](http://www.kidderytoys.com)

# WOODEN KITCHEN TOY