

# Kiddery Toys



## KITCHEN SET MODEL MKW102

---

## ASSEMBLY INSTRUCTIONS

SCAN QR CODE FOR  
ASSEMBLY VIDEO



For assistance or replacement parts please contact:

The Kiddery Toys Inc.

Text or Call 1-844-KIDDERY (543-3379)

Email at support@kidderytoys.com

website www.kidderytoys.com

**WARNING**

**WARNING: CHOKING HAZARD! Contains small parts that can be swallowed. Not suitable for children under 3 years old.**

INSPECT THIS PRODUCT BEFORE EACH USE. TIGHTLY SECURE CONNECTIONS AND REPLACE DAMAGED OR WORN COMPONENTS. CONTACT THE KIDDERY TOYS COMPANY FOR REPLACEMENT PARTS.

- Adult assembly by hand screwdriver required.
- Instruct children not to use the product until properly assembled.
- Provide continuous adult supervision at all times.
- Use caution, not to over-tighten screws or they will not hold parts together appropriately.
- For permanent assembly wood glue is recommended

ADVERTENCIA: PELIGRO DE ASFIXIA! Contiene piezas pequeñas que pueden ser tragadas. No apto para menores de 3 años.

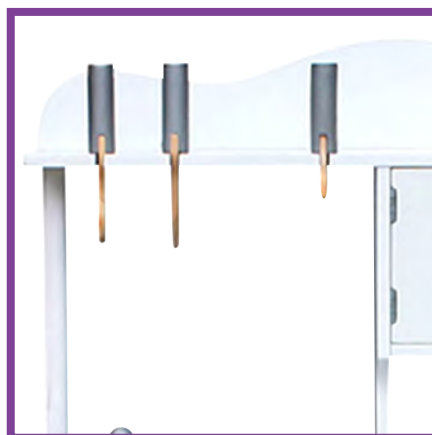
- Requiere ensamblaje por parte de un adulto con un destornillador manual.
- Indique a los niños que no utilicen el producto hasta que esté correctamente ensamblado.
- Proporcione la supervisión continua de un adulto en todo momento.
- Tenga cuidado de no apretar demasiado los tornillos o no mantendrán las piezas juntas de manera adecuada.
- Para montaje permanente se recomienda cola para madera

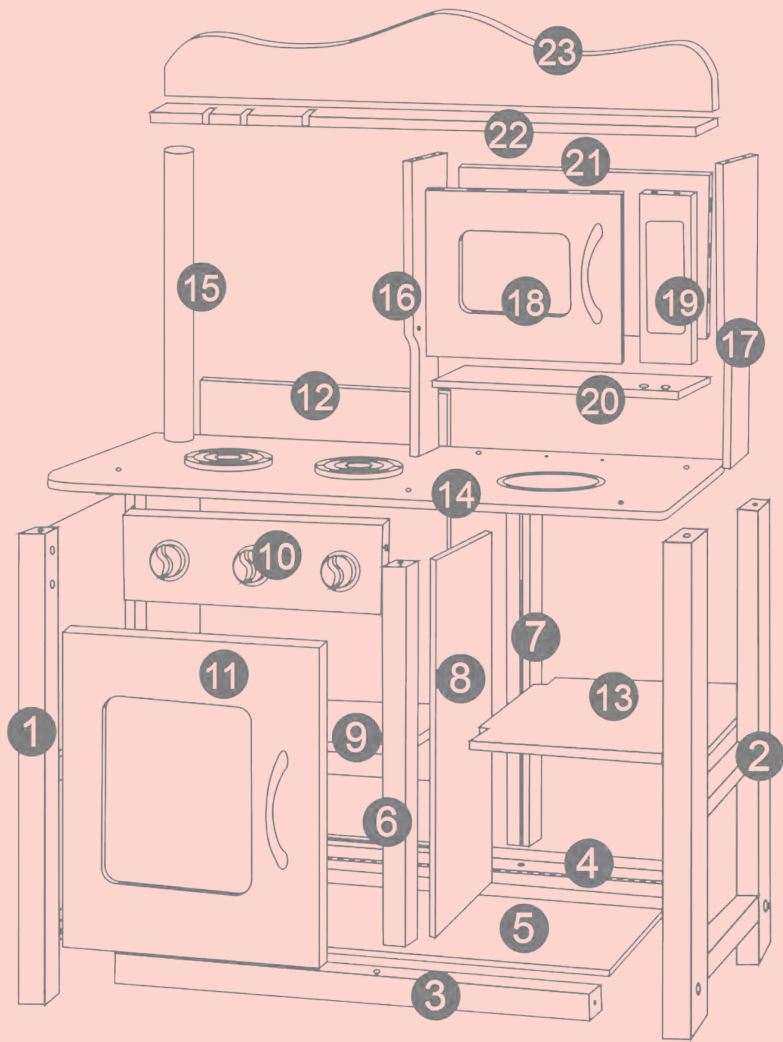
Please retain this information for future reference.



# FEATURES

This wooden kitchen playset comes with various accessories included, for your little one to have countless hours of fun and play!

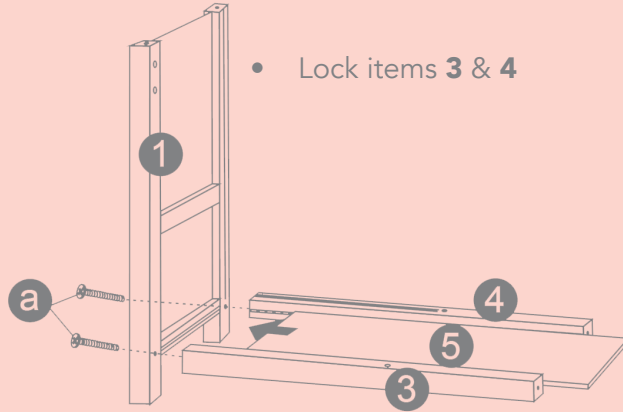




# PARTS

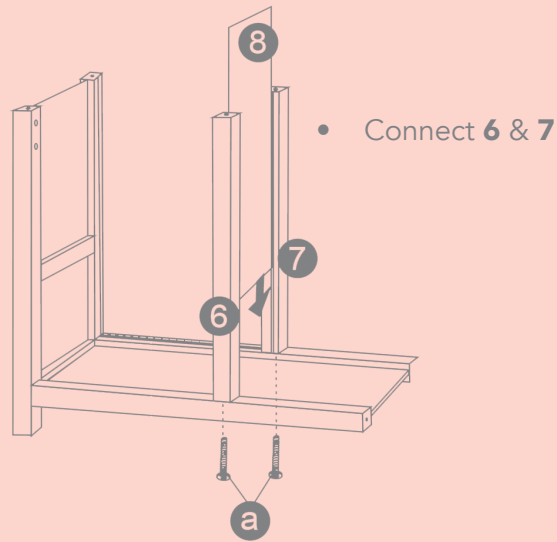
# 1

Ax2



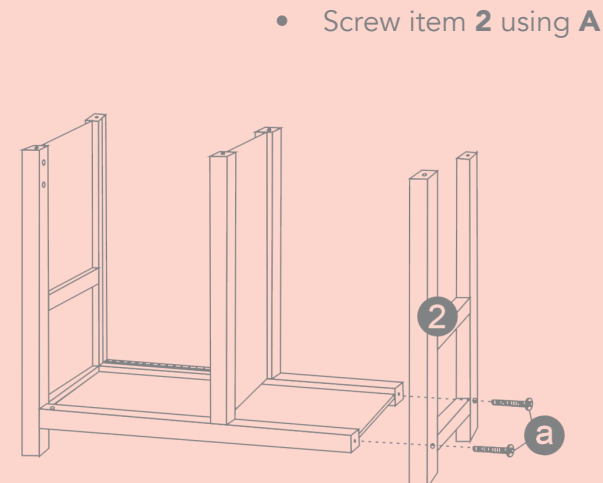
# 2

Ax2



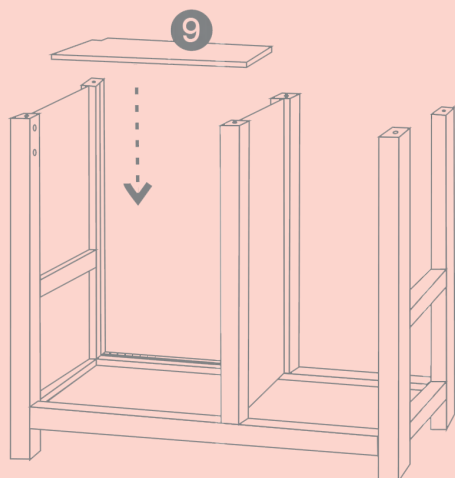
# 3

Ax2



# HOW TO ASSEMBLE

# 4



- Place shelf **9**

# 5

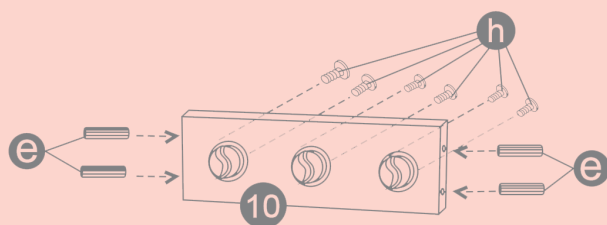
Ex4



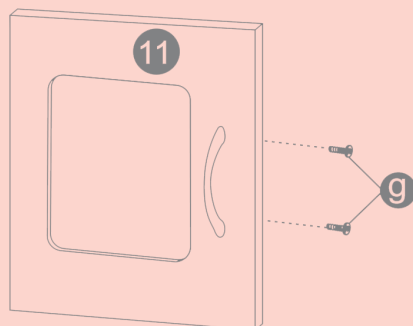
Hx6



Gx2



- Connect stove knobs to item **10** using **H** screws.
- Insert **E** in the side holes



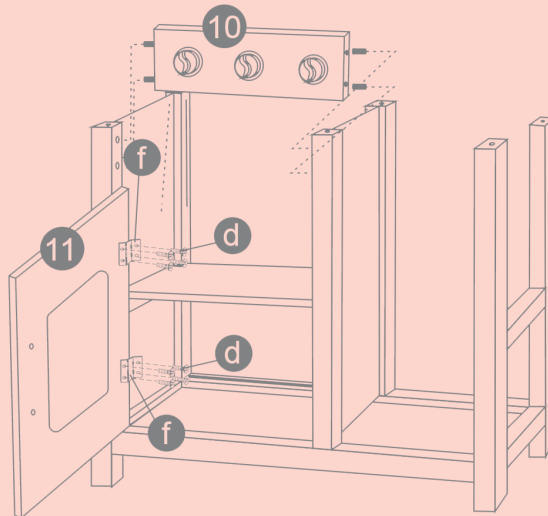
- Connect handle to item **11** using **G** screws

# 6

Dx8

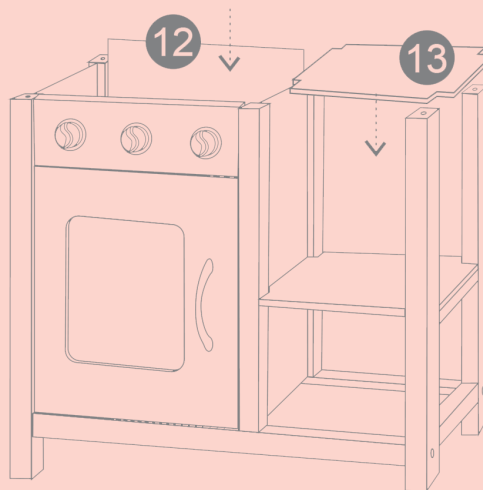


Fx2



- Connect item **10** to the base
- Screw **F** to item **11**
- Using the **D** screw,

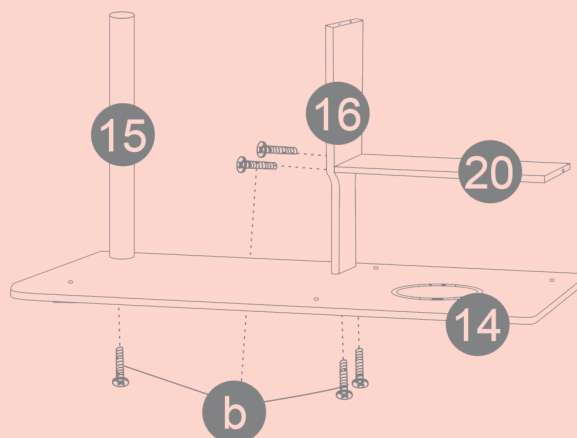
# 7



- Slide in item **12** and place item **13**

# 8

Bx5



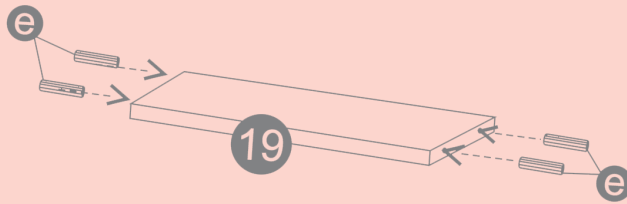
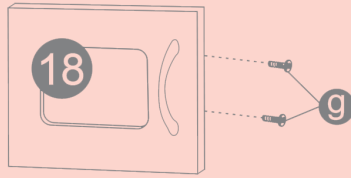
- Using screw **B**, connect item **14** to items **15** and **16**
- Screw item **20** to item **16** using screw **B**

# 9

Ex4



Gx2



- Connect handle to item **18** using **G** screw

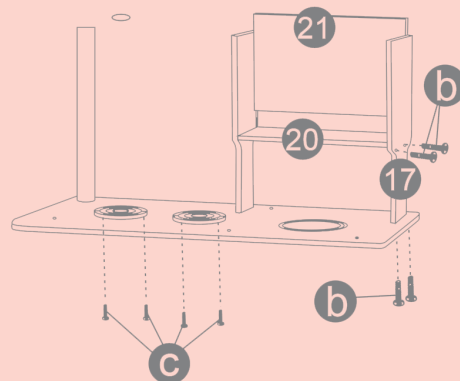
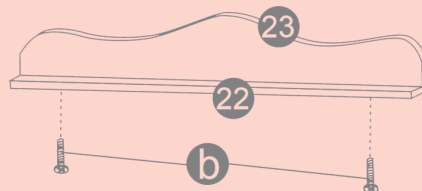
- Insert **E** to item **19**

# 10

Bx6



Cx4



- Connect item **17** to item **20** using screw **B**
- Using Screw **B**, connect item **17** to base
- Slide item **21** to base
- Connect item **22** to **23** using screw **B**
- Connect stove burner using screw **C**



# 11

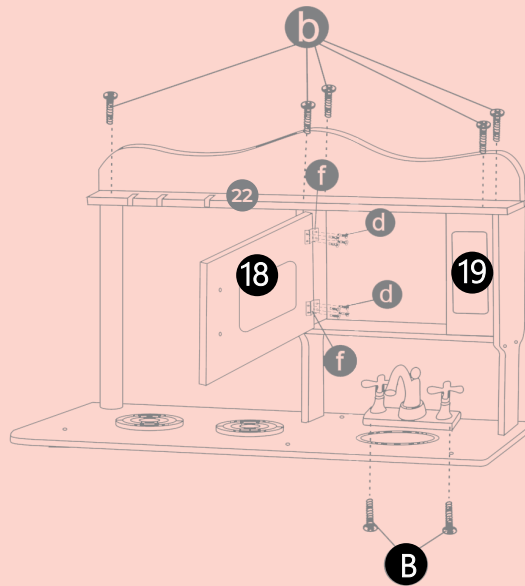
Bx7



Dx8



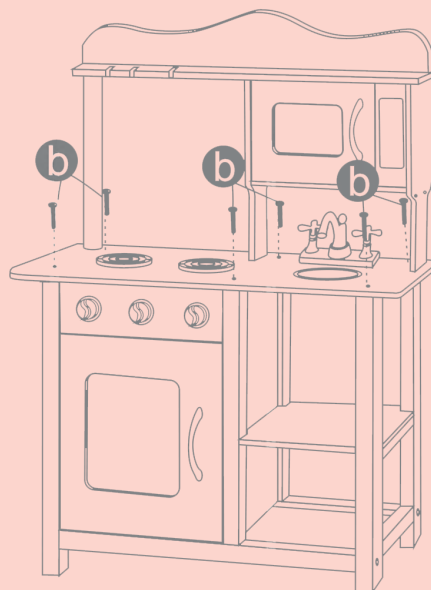
Fx2



- Connect faucet to base using **B** screw
- Insert **19** then Screw item **22** to base using **B**
- Connect **F** hinge to item **18** using **D** screw
- Fasten item **18** to base USING **D**

# 12

Bx6



- Connect upper base to lower base using **B** screw

# KITCHEN SET