

# KITCHEN PLAY SET

Model #MKG105

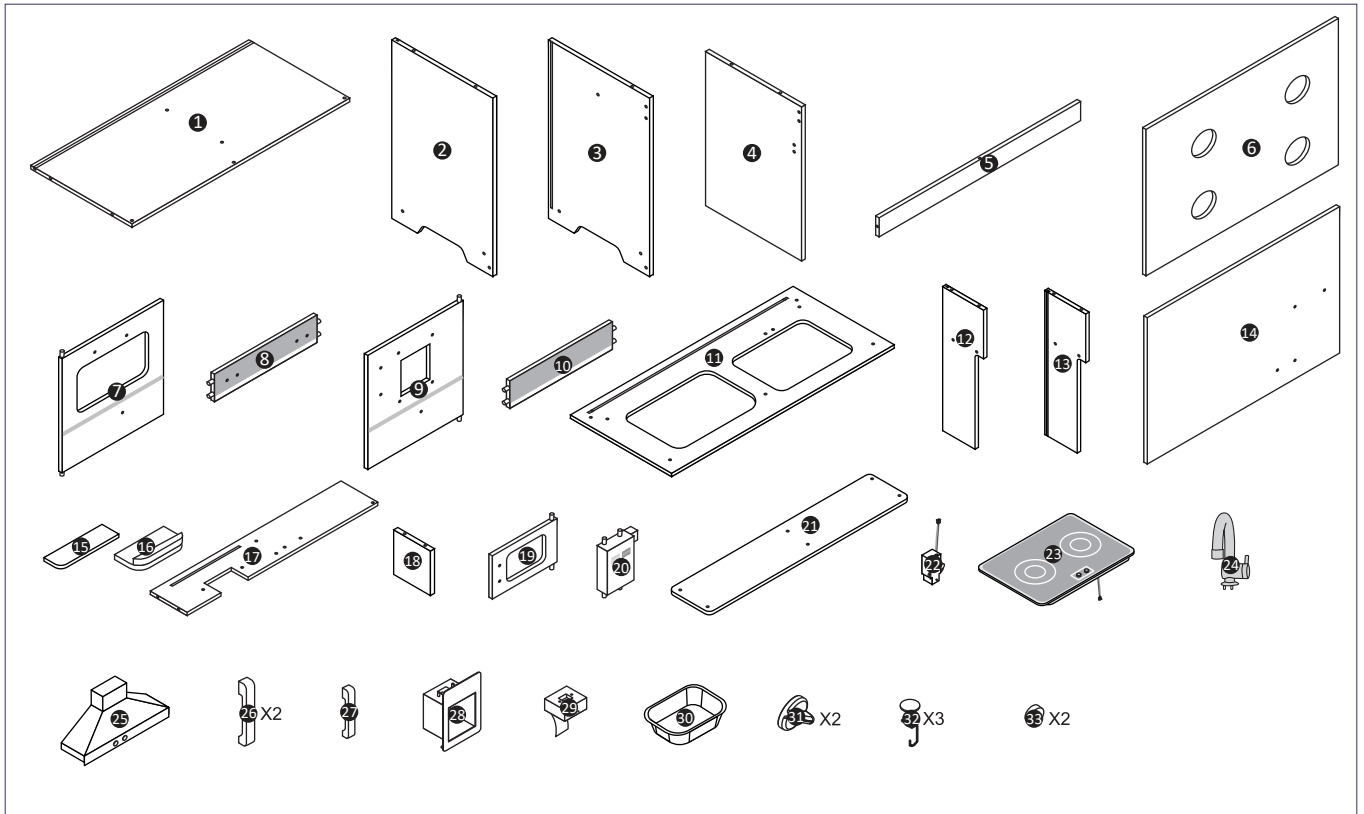
## Assembly Instructions

Please read this manual carefully and assemble the product according to the instructions given in this manual.

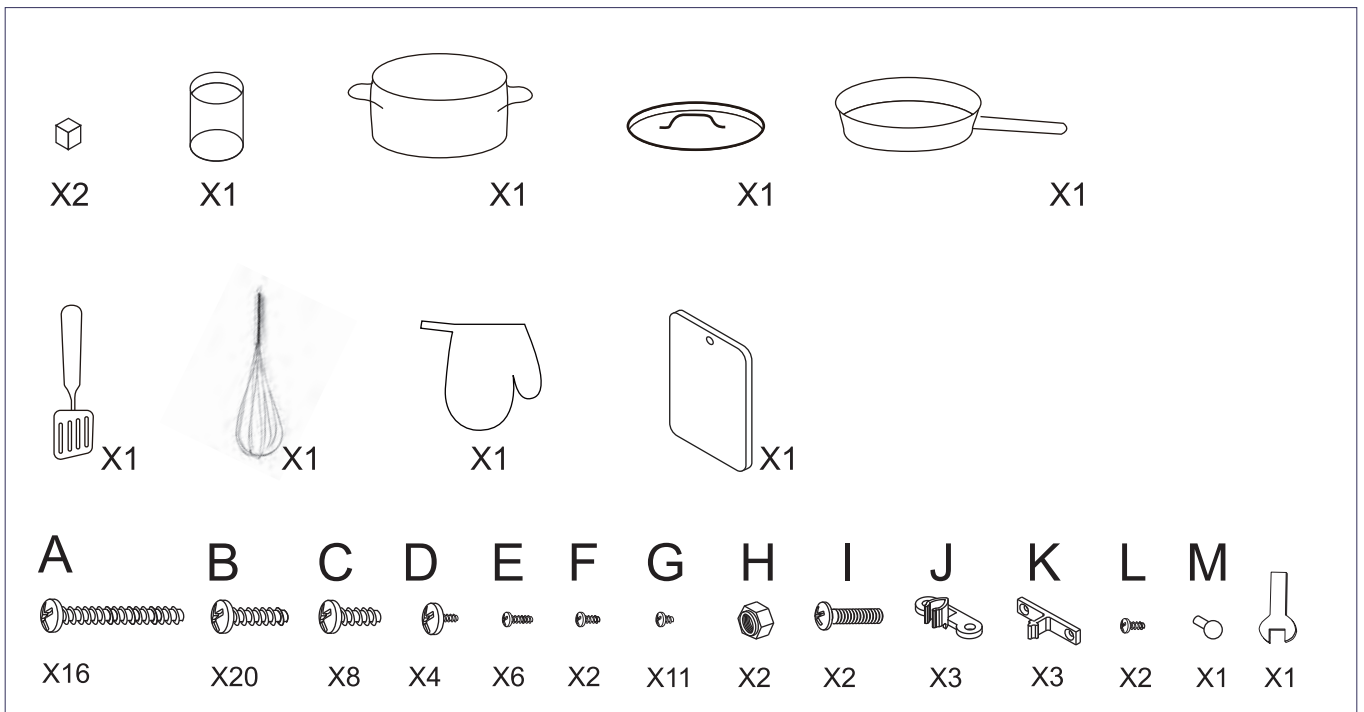




## Product Parts/Boards



## Other Parts and Accessories





## Tools Required

- Hand Screwdriver (Not included in the kit)
- Screw wrench (Included in the kit)
- 4 x AAA Batteries (Not included in the kit)
- 2 x AA Batteries (Not included in the kit)

## Preparation

- Do the unboxing carefully.
- Separate all the product parts before starting assembly.
- Identify all the parts and the numbers (according to the manual) for correct assembly.
- Assembly should be done by an adult.

If you need help or replacement parts please contact us  
Kiddery Toys Inc.

Text or Call: 1-914-623-8794

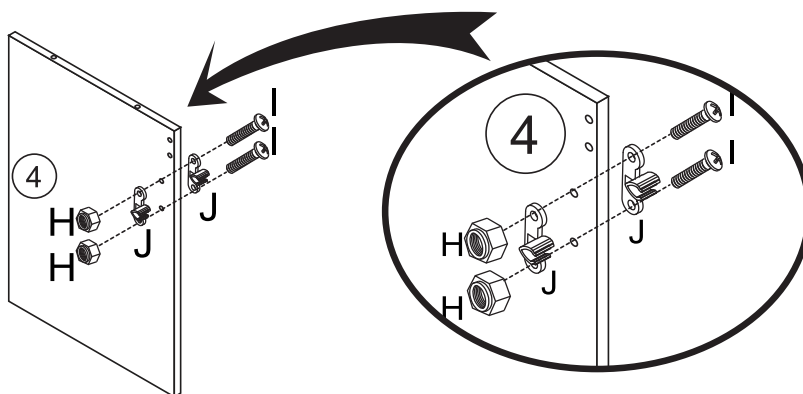
Email: [support@kidderytoys.com](mailto:support@kidderytoys.com)

Website: [www.kidderytoys.com](http://www.kidderytoys.com)

## Assembly instructions

### Step 1: Install Door Catchers:

Attach Door Catchers (J) on both sides of Panel (4) with Screws (I) and Nut (H) and tighten nuts with Wrench included in kit.

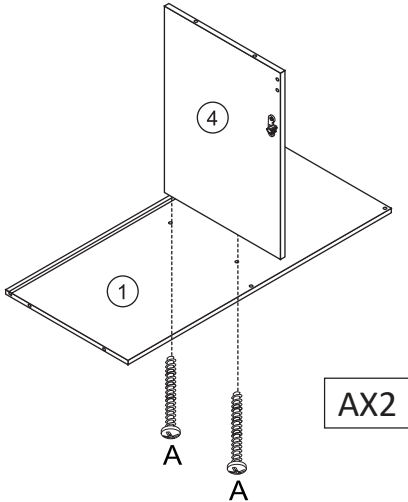


HX2 JX2 IX2



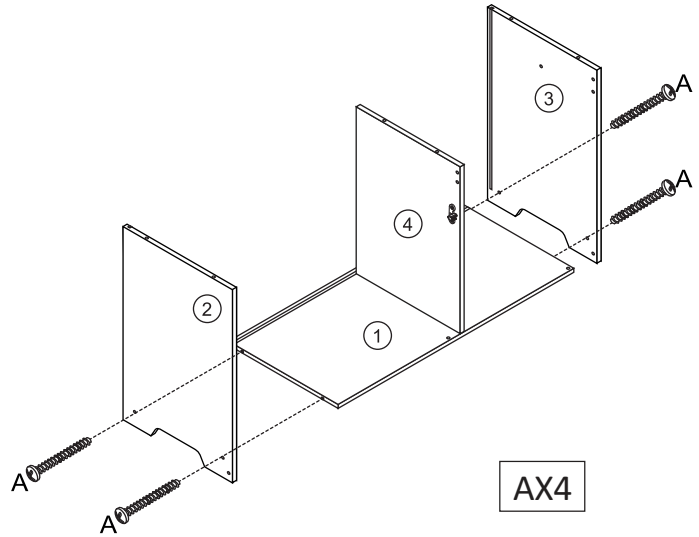
### Step 2: Install Base:

Attach board (4) to board (1) using screws (A)



### Step 3: Install Side Panels:

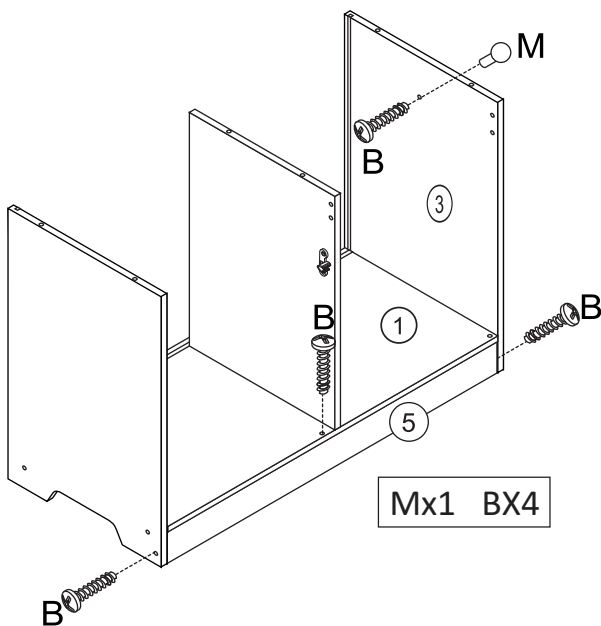
Attach the Boards (2) And (3) to the base (1) by using the screws (A).



### Step 4: Install Toe kick & Cutting Board Holder:

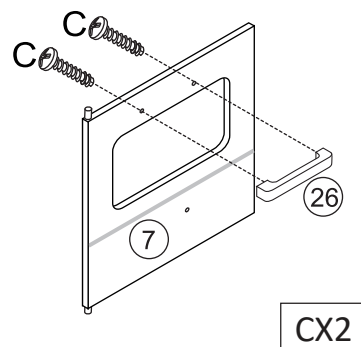
Attach Toe kick Panel (5) to the front of base (1) using screws (B)

Fasten Cutting board holder (M) to Panel (3) using screw (B)



### Step 5: Oven Door Handle:

Attach handle (26) to door (7) by using screws (C).

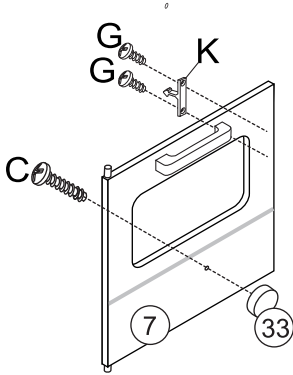






### Step 6: Install Striker & 33:

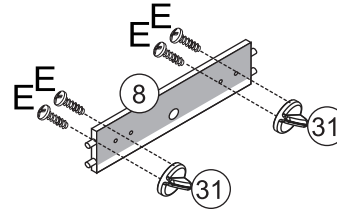
Attach Striker (K) using Screws (G)  
Attach (33) to front using screw (C).



Cx1 GX2 KX1 33x1

### Step 7: Install Knobs:

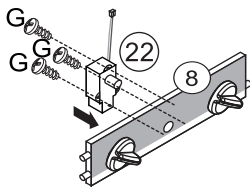
Attach Stove Knobs (31) to Panel (8) using Screws (E).



EX4 31x2

### Step 8: Install switch:

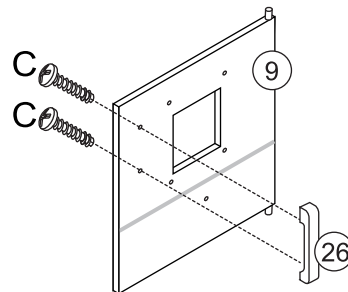
Install switch part (22) onto panel (8) using screws (G)



GX3 22x1

### Step 9: Fridge Handle:

Fasten the Handle (26) to Door (9) using screws (C).

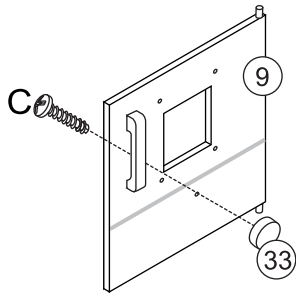


CX2 26x1



### Step 10: Fridge Door:

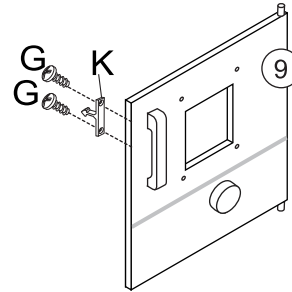
Install part (33) to Door (9) using screw (C)



CX1

### Step 11: Install Striker:

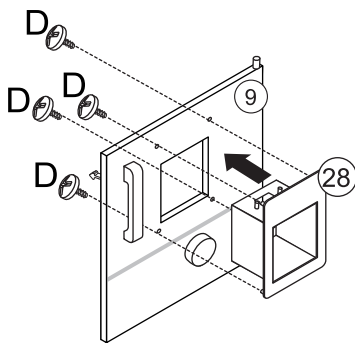
Attach Striker (K) to Door (9) using screws (G)



GX2 KX1

### Step 12: Install Ice-maker:

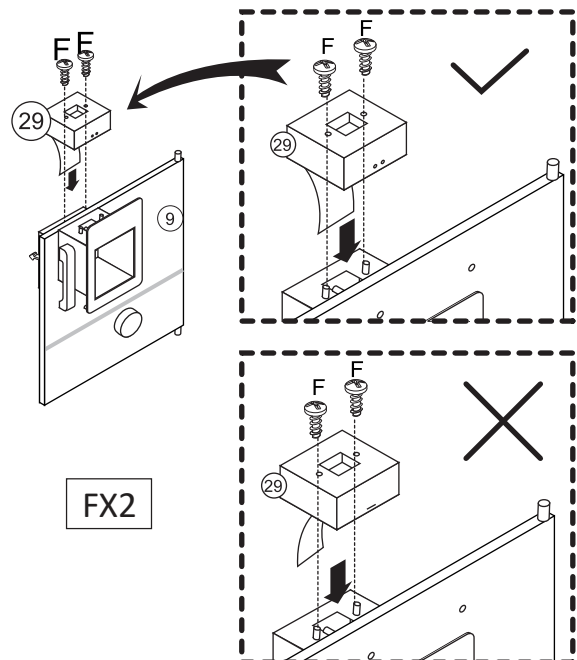
Install ice maker part (28) onto Fridge Door (9) using screws (D).



DX4

### Step 13: Install the Lever:

Insert the Lever part (29) thru the top whole of part (28) "see image below for Correct way" and attach using screws (F)

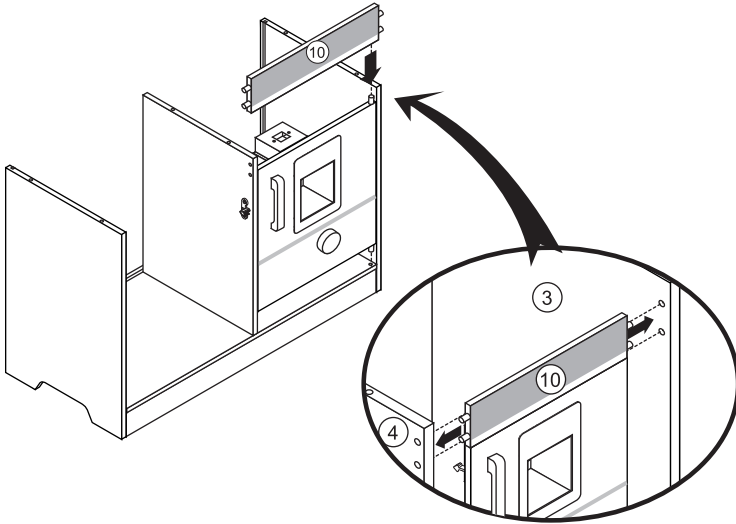


FX2



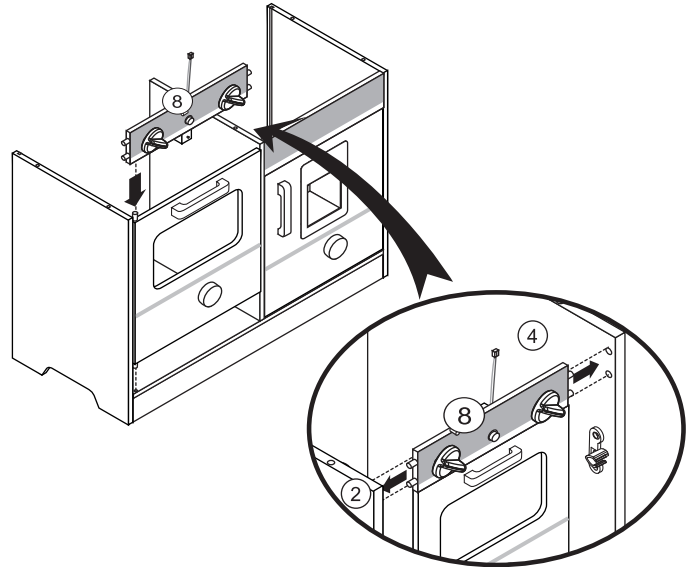
### Step 14: Install Fridge Door & Control Panel:

Place Fridge Door (9) in slot, then place panel (10) in slot.



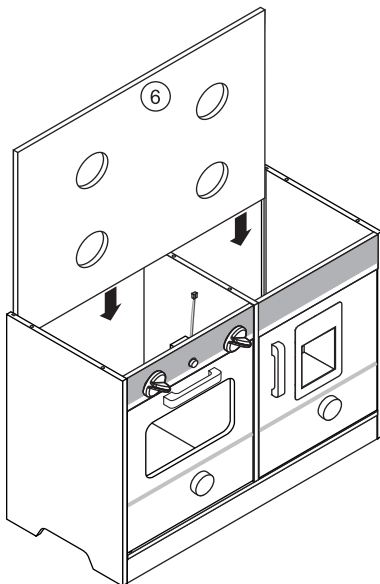
### Step 15: Install Oven Door & Stove Control Panel:

Place Oven Door (7) in slot, then place panel (8) in slot.



### Step 16: Back-Panel:

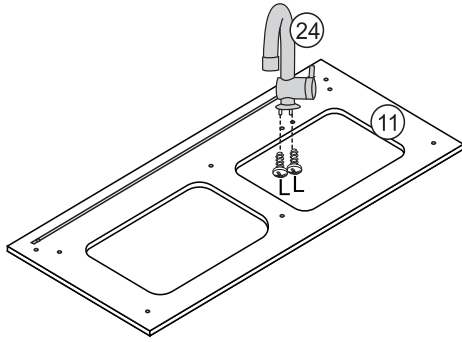
Insert back-panel (6) in slot





### Step 17: Install the Faucet:

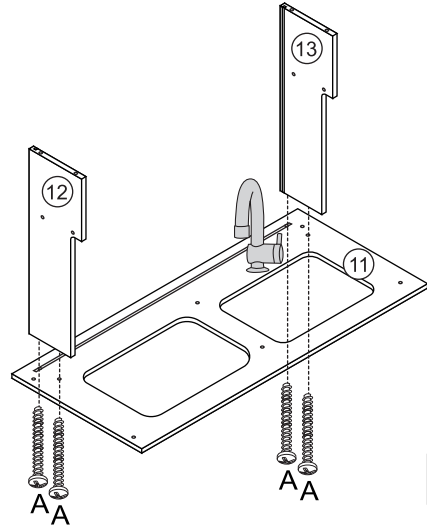
Attach Faucet (24) to counter-top (11) using screws (L)



LX2

### Step 18: Install Side Panels:

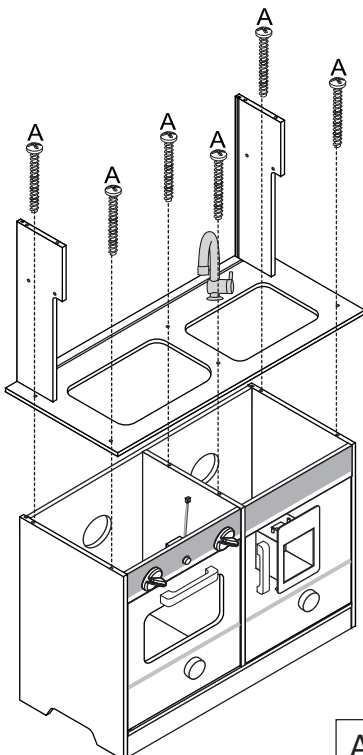
Attach left panel (12) and right panel (13) to counter (11) using (A)



AX4

### Step 19: Counter-Top:

Place the counter-top (11) over the base and fasten using screws (A).

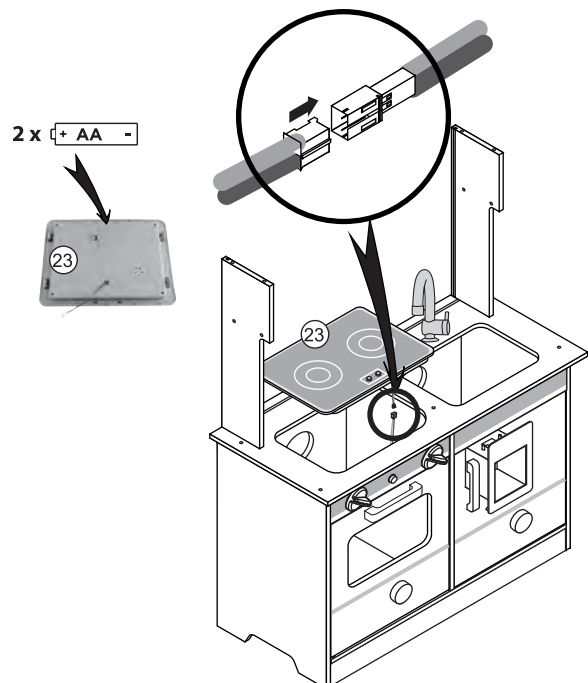


AX6

### Step 20: Install Cook-Top:

Install 2 x AA Batteries (Not Included)

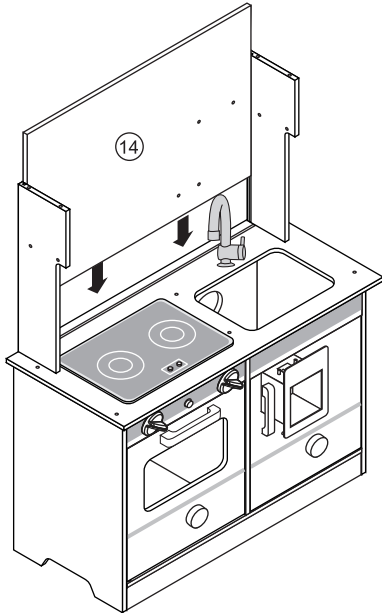
Install the Cook-Top (23) by placing it in the cutout and attach wire to switch wire





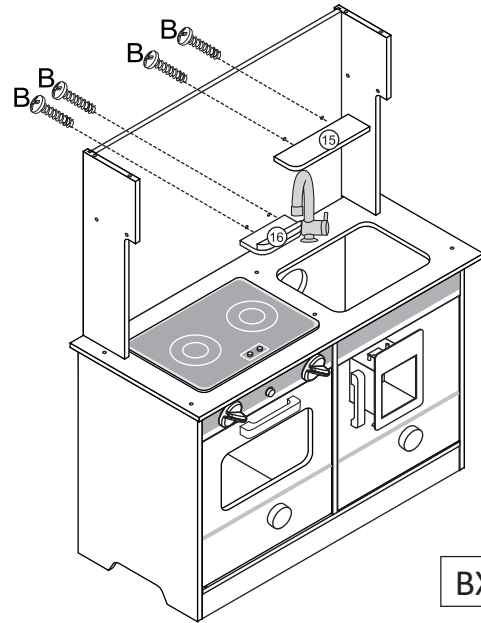
### Step 21: Install Back Panel:

Insert Back Panel (14) in slot



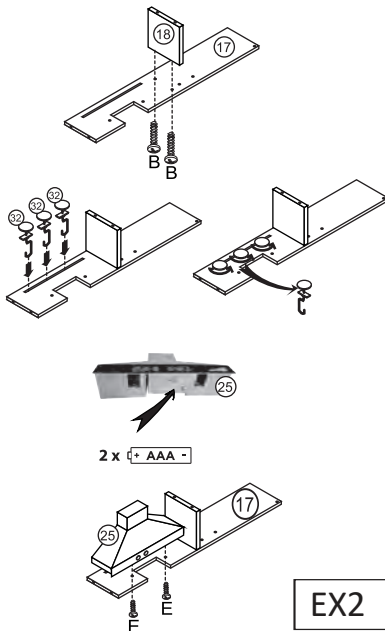
### Step 22: Shelves:

Attach shelf (15) and shelf (16) to back panel (14) using screws (B)



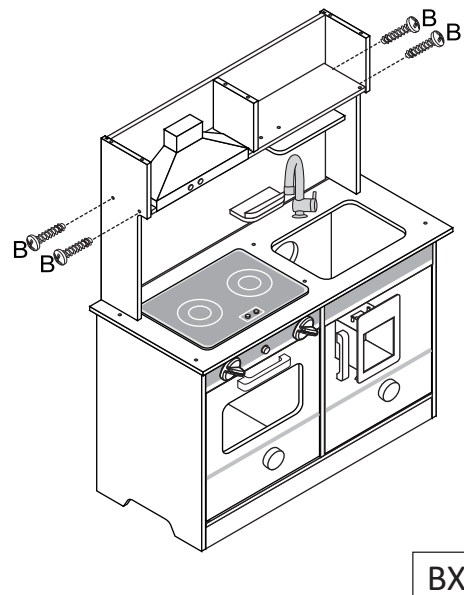
### Step 23: Assemble Hood and Shelf:

Attach Divider (18) to panel (17) using screws (B),  
Insert Hooks (32) in slot then turn to face forward,  
Insert 2 x AAA batteries (Not Included)  
Attach Hood (25) to Panel (17) using screws (E).



### Step 24: Install Assembled Shelf and Hood:

Install Assembled shelf (17) and attach using screws (B)

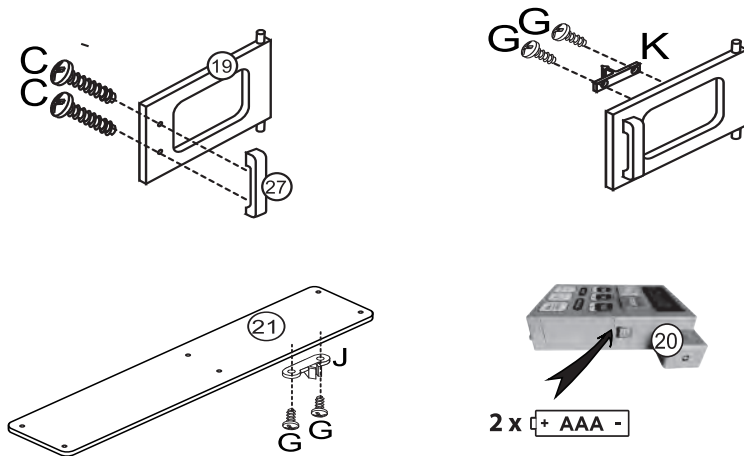




### Step 25: Microwave Door & Top Panel:

Attach Handle (27) to Door (19) using screws (C) And Striker (K) with screws (G),

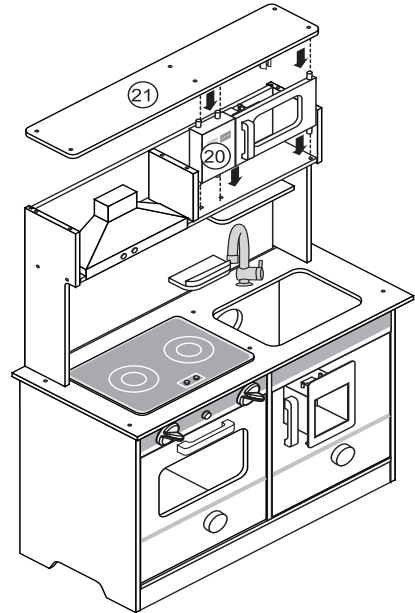
Attach Door Catcher (J) to panel (21) with screws(G), Insert 2 x AAA batteries into part (20) (Not Included)



Cx2 GX4 JX1 KX1

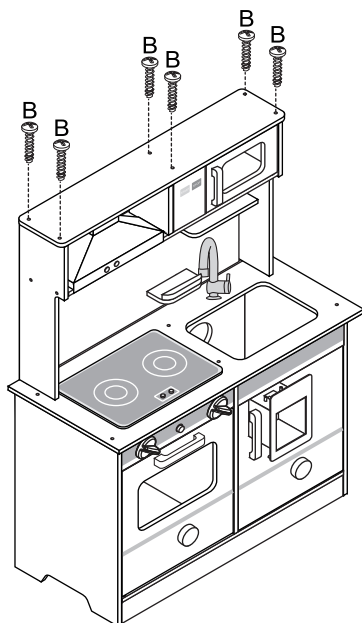
### Step 26: Install Microwave Panel, Door, Top Panel:

Install Control Panel (20) And Microwave Door (19) then place (21) on top.



### Step 27: Attaching Top Panel:

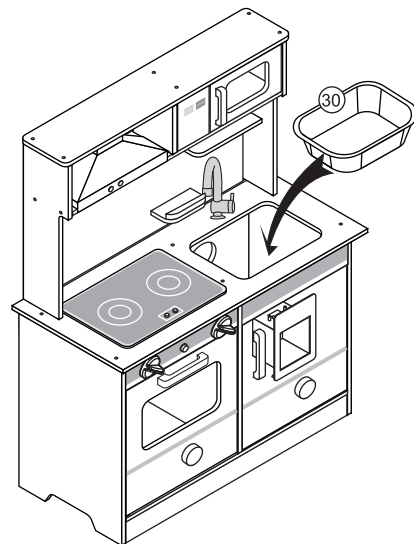
Fasten Top Panel (21) with Screws (B)



BX6

### Step 28: Sink:

Place the Sink (30) into cut out !!!



Start enjoying playing with your kitchen!!



## Safety Instructions:

- Assembly should be done by an adult.
- Don't climb shelves to reach the top.
- Place the unit over flat ground.
- Tightly fix all the screws to prevent any accident.
- Mount the handles and hooks tightly to prevent them from falling off.
- Avoid overloading shelves.

## Warranty:

### 1-Year Limited Lifetime Warranty:

The original purchaser for this unit is provided with a 1-YEAR WARRANTY.

### Covered Under Warranty:

The warranty begins from the date of purchase. For the first year, coverage is for both parts and labor on warranty repair services.

Service option, availability, and response times may vary and may change at any time. In accordance with applicable law, the company may require that you furnish additional documents and/or comply with registration requirements before receiving warranty service.

**Note:** Customers have to provide proof of purchase to initiate the repair work under warranty. We strongly recommend keeping the original receipt.

### Not Covered Under Warranty:

1. We do not offer a warranty for products that have been bought secondhand or as a resold product.
2. Issues of replacement and refunds on units purchased less than 30 days from an authorized dealer must be addressed to the dealer directly.
3. If the products purchased from an authorized dealer are after 30 days from the date of purchase, please send the units to us for service and repair.
4. We do not cover the cost of repairs and replacements due to misuse by the owner's improper maintenance, and/or lost units.
5. Any water damage to the product will not be covered.





6. The warranty is avoided if the hardware has been altered or an authorized person has damaged the hardware while attempting repair work.
7. We reserve the right to retain and discard any part or accessories that have been found damaged upon replacement and repair.
8. Damage caused by accident, abuse, misuse, flood fire, earthquake or other external causes.

Kiddery Toys Inc.

**Text or Call:** 1-914-623-8794

**Email:** [support@kidderytoys.com](mailto:support@kidderytoys.com)

**Website:** [www.kidderytoys.com](http://www.kidderytoys.com)