

2

1

| REVISION TABLE | | | |
|----------------|----------------------------|----------|----------|
| REV. | DESCRIPTION | REV. BY | DATE |
| A | INITIAL PROTO-TYPE RELEASE | CALEB S. | 2/4/2020 |

D

D

C

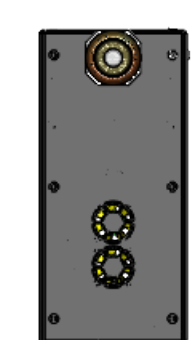
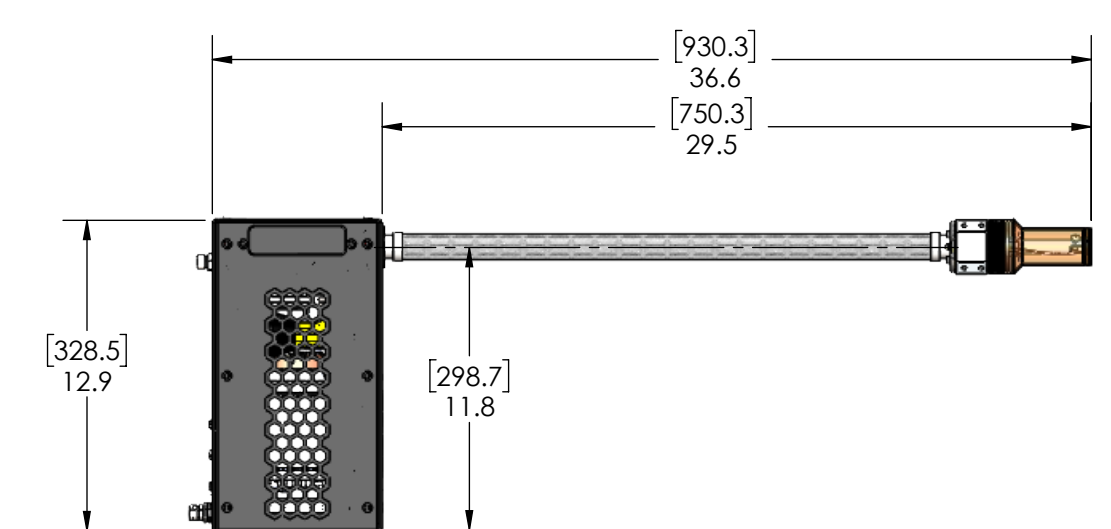
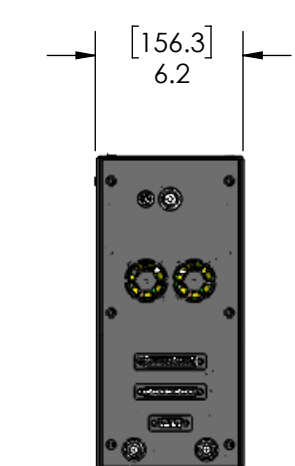
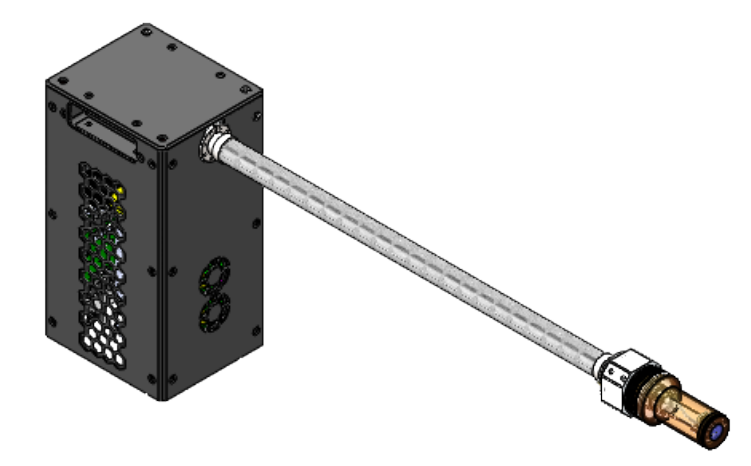
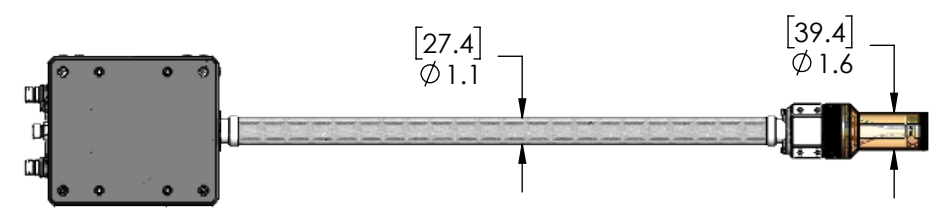
C

B

B

A

A



| | | | |
|--|---------------------------|------------------------------|------------------------|
| SYSTEM DIMENSIONS: FLEXIBLE CRYOGENIC PROBE | | | |
| FILENAME: 01-100.SLDDRW | | | |
| FOURNINE design | | | |
| SIZE B | PART NO. 01-100 | DRAWING NO. 01-100 | |
| SCALE 1:12 | REV A | REA NO. | SHEET 1 OF 1 |

DIMENSIONS IN INCHES [MM]

2

1