

GEHL®

R SERIES SKID LOADERS

PRELIMINARY

R135 | R150 | R165



ALL-NEW!

- ▶ Yanmar-powered Tier IV Engine
- ▶ New load arm for 10% more visibility
- ▶ Larger, ergonomic cab with new entry step and automatic dome light
- ▶ New instrumentation panel with digital display
- ▶ Improved serviceability with swing-out cooler and easy ROPS adjustments
- ▶ Multiple control options available

R 1 3 5



R 1 5 0

ALL-NEW!



R 1 6 5



SPECIFICATIONS		R135	R150	R165
DIMENSIONS	A. Overall Operating Height – Fully Raised (mm)	143.9" (3655)	152.6" (3876)	153.2" (3891)
	B. Height to Hinge Pin – Fully Raised (mm)	109.6" (2784)	118.6" (3012)	119" (3023)
	C. Overall Height to Top of ROPS (mm)	75.1" (1908)	76.7" (1948)	76.9" (1953)
	D. Overall Length with Bucket (mm)	120.3" (3056) w/54" Bucket	122.2" (3104) w/61.5" Bucket	122.1" (3101) w/61.5" Bucket
	E. Dump Angle at Full Height	40°	38°	38°
	F. Dump Height (mm)	82.6" (2098)	93.1" (2365)	93.7" (2380)
	G. Dump Reach at Full Height (mm)	22.7" (577)	22.8" (579)	22.6" (574)
	J. Rollback at Ground	29°	28°	28°
	M. Rollback Angle at Full Height	82°	99°	99°
	O. Seat to Ground Height (mm)	33.3" (846)	37.6" (955)	35.6" (904)
	P. Wheelbase (mm)	37.6" (955)	38.9" (988)	38.9" (988)
	Q. Overall Width - Less Bucket ^ (mm)	52.6" (1336)	63.2" (1605)	63.4" (1610)
	R. Bucket Width (mm)	54" (1372)	61.5" (1562)	61.5" (1562)
	S. Ground Clearance to Chassis (mm)	7.9" (201)	6.3" (160)	6.3" (160)
	V. Overall Length - Less Bucket (mm)	92.2" (2342)	94.1" (2390)	93.9" (2385)
	W. Departure Angle	25°	21°	21°
	X. Clearance Circle – Front w/ Bucket (mm)	72.5" (1842)	73.6" (1869)	73.9" (1877)
Y. Clearance Circle – Front w/o Bucket (mm)	44.1" (1130)	45.4" (1153)	45.9" (1166)	
Z. Clearance Circle – Rear (mm)	54" (1372)	57.9" (1471)	57.7" (1466)	
Standard Specification Tire Size		10.00x16.5 HD	10.00x16.5 HD	10.00x16.5 HD
ENGINE	Make	Yanmar	Yanmar	Yanmar
	Model	4TNV88C-KMS Tier IV	4TNV88C-KMS Tier IV	4TNV98C-NMS2 Tier IV
	Gross Power (kW) @ rpm	46.3 hp (34.5) @ 2800	46.3 hp (34.5) @ 2800	69.9 hp (52) @ 2500
	Net Power (kW) @ rpm	44.5 hp (33) @ 2800	44.5 hp (33) @ 2800	68.4 hp (51) @ 2500
	Maximum Torque (Nm) @ rpm	107.8 ft.-lbs. (146) @ 1820	107.8 ft.-lbs. (146) @ 1820	178 ft.-lbs. (241) @ 1625
	Displacement (L)	133.6 cu.in. (2.19)	133.6 cu.in. (2.19)	201.4 cu.in. (3.3)
HYDRAULIC SYSTEM	Auxiliary Hydraulics – Standard (L/min)	17 gpm (64.4)	17 gpm (64.4)	18.9 gpm (71.4)
	Reservoir Capacity (L)	10 gal. (37.9)	11 gal. (41.6)	11 gal. (41.6)
ELECTRICAL SYSTEM	Battery (CCA)	12-volt (950)	12-volt (950)	12-volt (950)
	Starter (kW)	12-volt (3.0)	12-volt (3.0)	12-volt (3.0)
	Alternator	100-amp	100-amp	100-amp
CAPACITIES / WEIGHTS	Rated Operating Capacity ^B (kg)	1,350 lbs. (612)	1,500 lbs. (680)	1,650 lbs. (748)
	Rated Op. Capacity with Opt. Counterweight ^B (kg)	1,500 lbs. (680)	1,650 lbs. (748)	1,800 lbs. (816.5)
	Tipping Load ^B (kg)	2,700 lbs. (1225)	3,027 lbs. (1373)	3,275 lbs. (1486)
	Tipping Load with Opt. Counterweight ^B (kg)	2,994 lbs. (1358)	3,320 lbs. (1506)	3,591 lbs. (1629)
	Fuel Tank (L)	16.5 gal. (62.5)	16.5 gal. (62.5)	16.5 gal. (62.5)
	Travel Speed – Maximum (km/hr)	8.0 mph (12.9)	7.4 mph (11.9)	7.8 mph (12.6)
	Travel Speed w/ Two-Speed Option - Maximum (km/hr)	N/A	N/A	12.1 mph (19.5)
	Operating Weight ^C – Approximate (kg)	5,130 lbs. (2327)	5,930 lbs. (2690)	6,165 lbs. (2796)

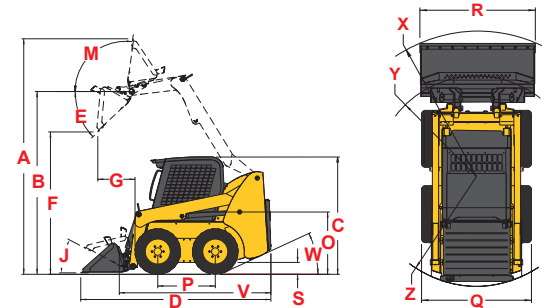
OWNER DRIVEN

Gehl authorized dealers offer a full line of compact equipment, backed up by exceptional sales, service and parts experience.

Gehl reminds users to read and understand the operator's manual before operating any equipment. Also, make sure all safety devices and shields are in place and functioning properly.

Gehl reserves the right to add improvements or make changes in specifications at any time without notice or obligation.

REFERENCE DIAGRAM



- A Overall width is dependent upon the amount of wheel offset
- B Per SAE J818, SAE J732, and ISO 14397
- C Weight of base unit with standard equipment, standard tires (heavy-duty flotation), standard dirt-construction bucket and 175 lb. (79 kg) operator.

For more information on the R Series Skid Loaders and the rest of the Gehl equipment line, call our hotline at

1-800-628-0491

or visit gehl.com



GEHL COMPACT EQUIPMENT

GEHL

West Bend, WI 53095 U.S.A. | Tel: 262-334-9461 | Fax: 262-338-7517
gehl.com