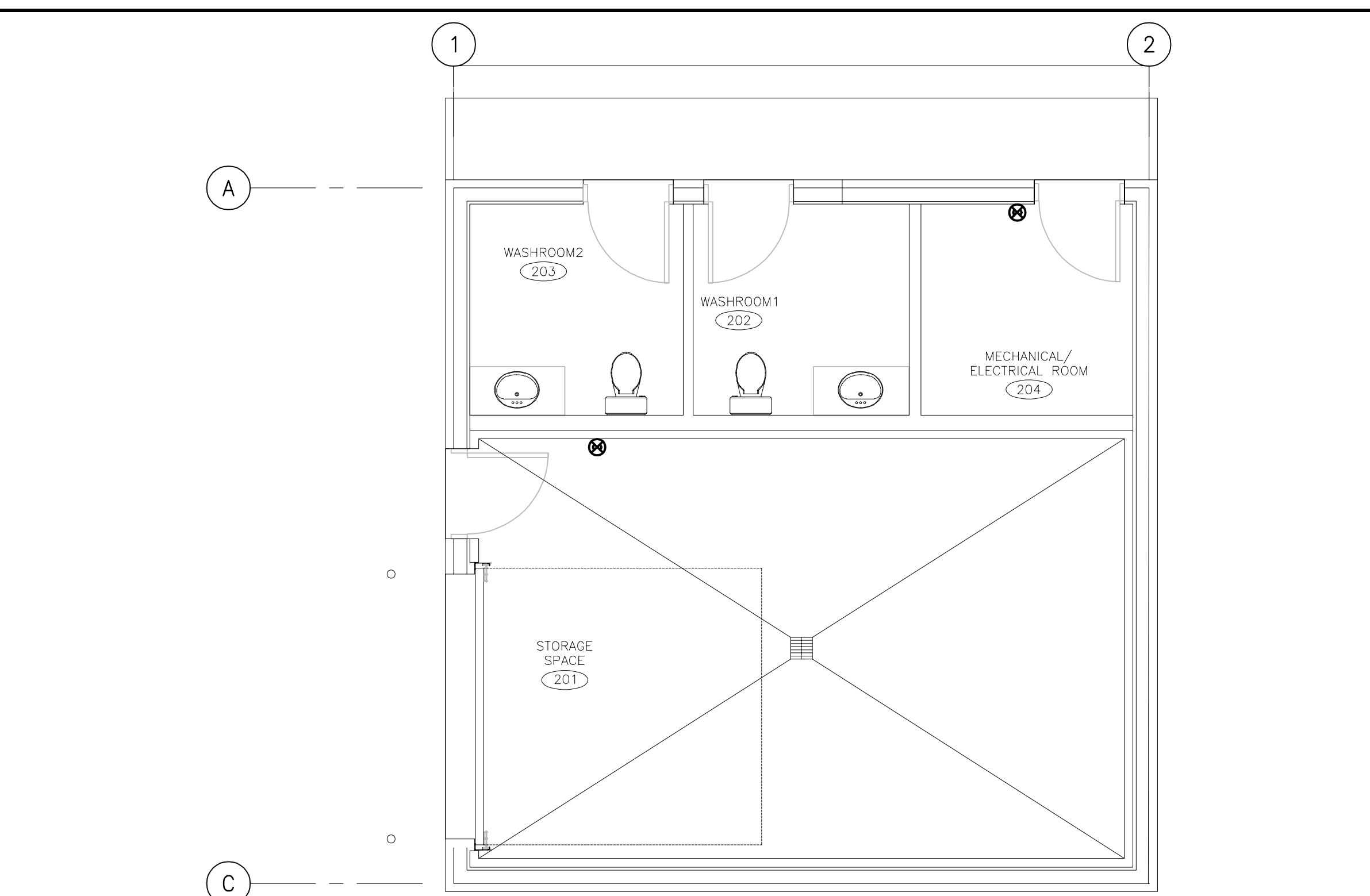


**PARK CENTER BUILDING PLAN VIEW - FIRE PROTECTION**  
SCALE: 1:50

**FIRE PROTECTION NOTES:**  
1. REFER TO SPECIFICATIONS FOR FIRE EXTINGUISHER SIZE AND TYPE.

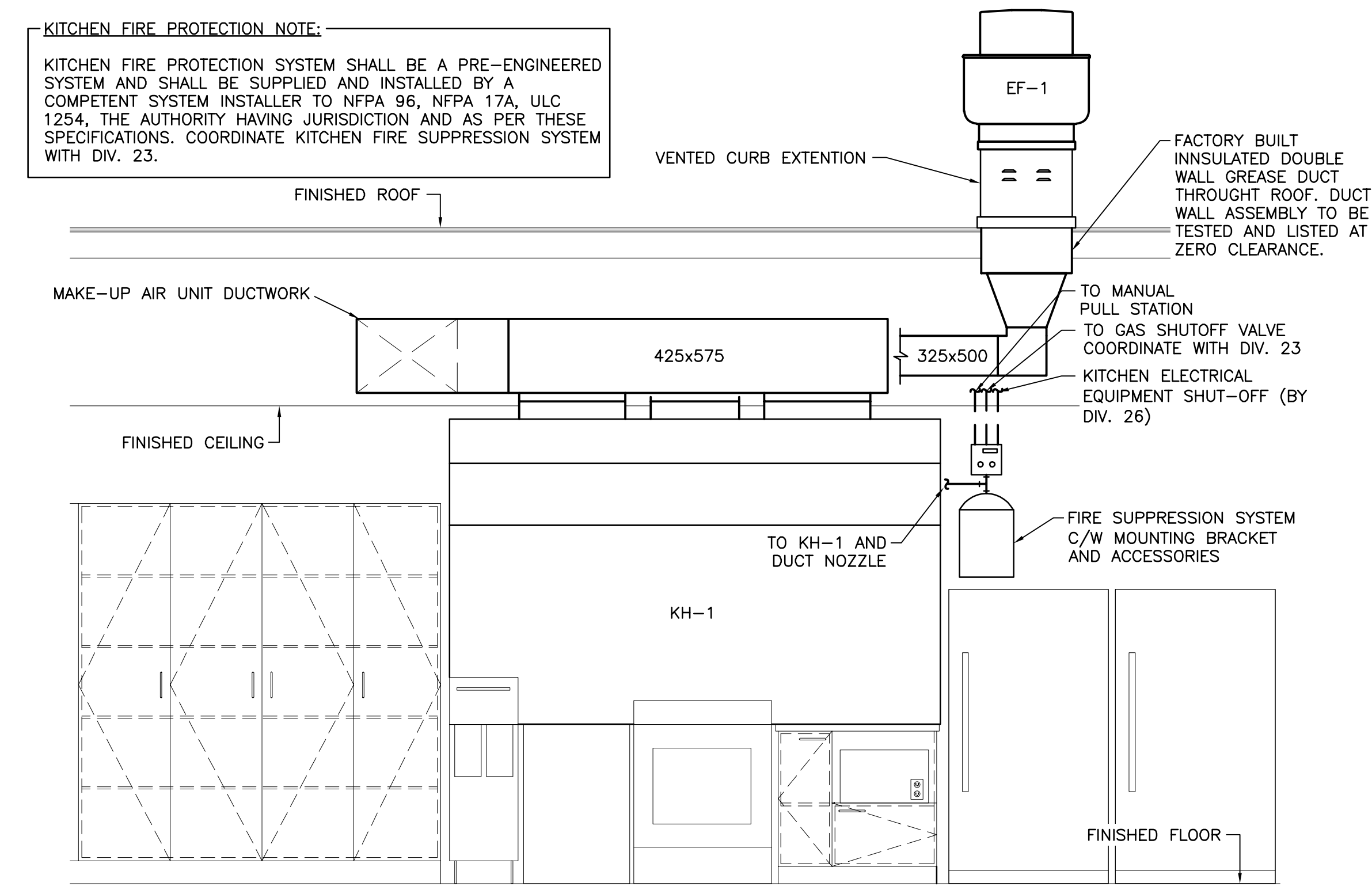


**SERVICE BUILDING PLAN VIEW - FIRE PROTECTION**  
SCALE: 1:50

FIRE PROTECTION LEGEND	
⊗	FIRE EXTINGUISHER (REFER TO SPECS FOR TYPE AND SIZE)
Ⓚ	KITCHEN FIRE SUPPRESSION SYSTEM MANUAL PULL STATION

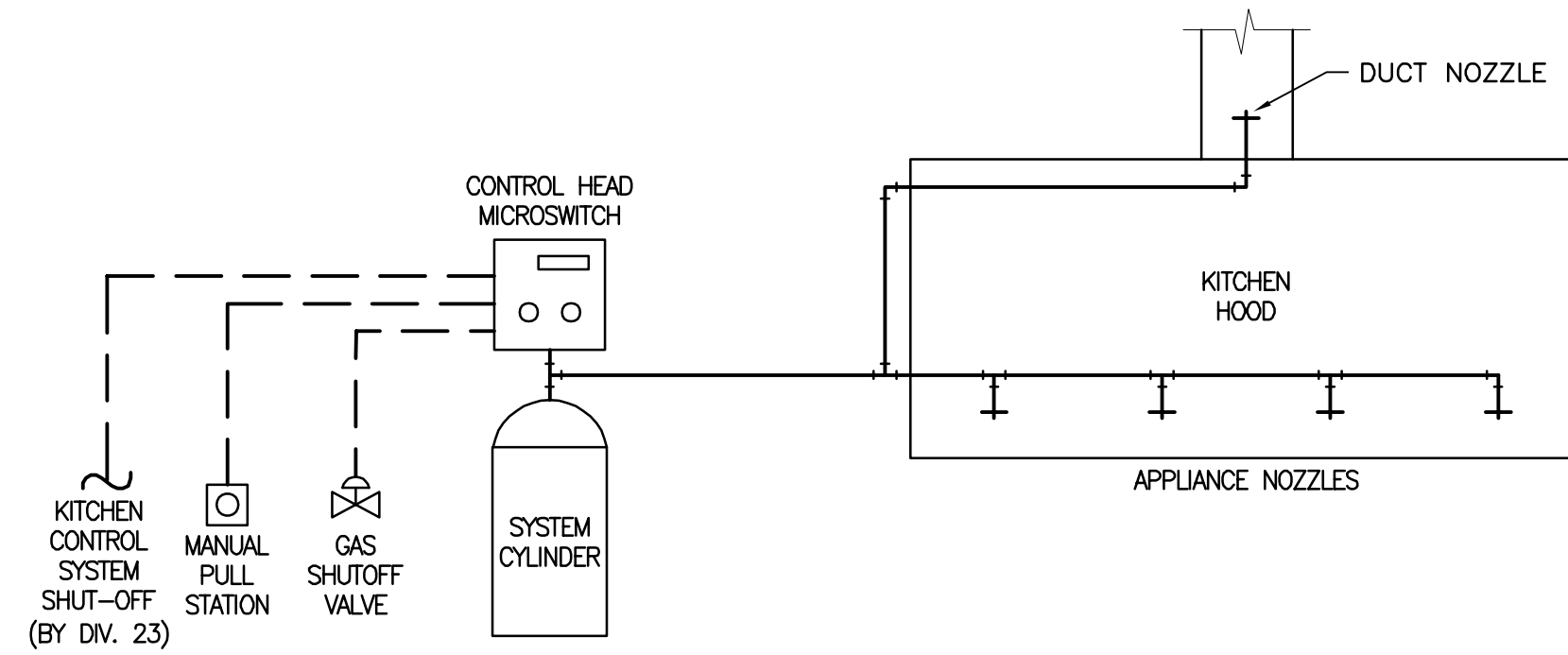
**GENERAL NOTES:**

- ALL WORK SHALL CONFORM TO THE NATIONAL BUILDING CODE OF CANADA EDITION 2015, NATIONAL FIRE CODE OF CANADA EDITION 2015, NATIONAL PLUMBING CODE OF CANADA EDITION 2015, NATIONAL ENERGY CODE OF CANADA FOR BUILDINGS EDITION 2011, NFPA 10, NFPA 17A, NFPA 96, NB REGULATION 2021-3, CSA B651-18 - ACCESSIBLE DESIGN FOR THE BUILT ENVIRONMENT, CSA B149.1-15 - NATURAL GAS AND PROPANE INSTALLATION CODE, CSA B149.2-15 - PROPANE STORAGE AND AND TO THE REQUIREMENTS OF THE AUTHORITY HAVING JURISDICTION.
- THE DRAWINGS ARE DIAGRAMMATIC AND INDICATE GENERAL LOCATIONS FOR MECHANICAL EQUIPMENT & PLUMBING. THIS CONTRACTOR SHALL VERIFY ALL EQUIPMENT LOCATIONS ON SITE PRIOR TO INSTALLATION AND SHALL COORDINATE THE LOCATIONS SO AS NOT TO CAUSE INTERFERENCE WITH THE WORK OF OTHER TRADES.
- CONTRACTOR IS RESPONSIBLE TO VISIT THE JOB SITE TO VERIFY ALL EXISTING CONDITIONS WHICH COULD AFFECT THE WORK. NO EXTRA COST WILL BE ALLOWED DUE TO FAILURE TO TAKE SITE CONDITIONS INTO CONSIDERATION. BE FAMILIAR WITH ALL RELATED WORK TO AVOID CONFLICTS WITH OTHER TRADES. IF THERE ARE ANY CONFLICTS REPORT TO ENGINEER.
- THIS CONTRACTOR SHALL COORDINATE ALL FLOOR, CEILING AND WALL PENETRATIONS WITH GENERAL CONTRACTOR AND/OR THE OWNER PRIOR TO CUTTING.



**KITCHEN FIRE PROTECTION NOTE:**  
KITCHEN FIRE PROTECTION SYSTEM SHALL BE A PRE-ENGINEERED SYSTEM AND SHALL BE SUPPLIED AND INSTALLED BY A COMPETENT SYSTEM INSTALLER TO NFPA 96, NFPA 17A, ULC 1254, THE AUTHORITY HAVING JURISDICTION AND AS PER THESE SPECIFICATIONS. COORDINATE KITCHEN FIRE SUPPRESSION SYSTEM WITH DIV. 23.

**KITCHEN FIRE SUPPRESSION SYSTEM DETAIL**  
SCALE: 1:25



**TYPICAL KITCHEN FIRE SUPPRESSION SYSTEM DIAGRAM**  
N.T.S.

ARCHITECTS:  
**EVOQ**  
1435, RUE SAINT-ALEXANDRE, BUREAU 1000  
MONTREAL (QUEBEC) H3A 2G4  
T: 514-993-9490 F: 514-993-9498  
Info@evoqarchitecture.com

ENGINEERS:  
**ROY CONSULTANTS**  
13, rue Costigan Street  
Edmundston (NB) E3V 1W7  
T: 506-733-9730  
F: 506-548-2207  
#493-18-4A

CLIENT:  
Red Island Contractors Inc.  
305, Route 390, Tobique First Nation, NB, E7H 4P7

NO.	DESCRIPTION	BY	DATE
0	ISSUED FOR TENDER	F.G.	2022-05-31
A	ISSUED FOR 50% REVIEW	S.C.	2021-06-18
REVISION:			

**GENERAL NOTES:**

- THE GENERAL CONTRACTOR IS RESPONSIBLE FOR VERIFYING ALL DIMENSIONS ON SITE TO ENSURE CONFORMITY WITH THE DIMENSIONS GIVEN ON THE DRAWINGS.
- THE GENERAL CONTRACTOR IS RESPONSIBLE TO IMMEDIATELY SUBMIT A REPORT TO THE ARCHITECT OR ENGINEER WITH ANY INACCURACIES.
- THE GENERAL CONTRACTOR SHOULD NOT TAKE SCALED MEASUREMENTS OFF THE DRAWINGS.
- ANY INDIVIDUAL OR FIRM THAT HAVE RECEIVED ELECTRONIC DOCUMENT USE THEM AT THEIR OWN RISK. ONLY ORIGINAL DRAWINGS, STAMPED BY THE ARCHITECT, CAN BE USED FOR CONSTRUCTION.

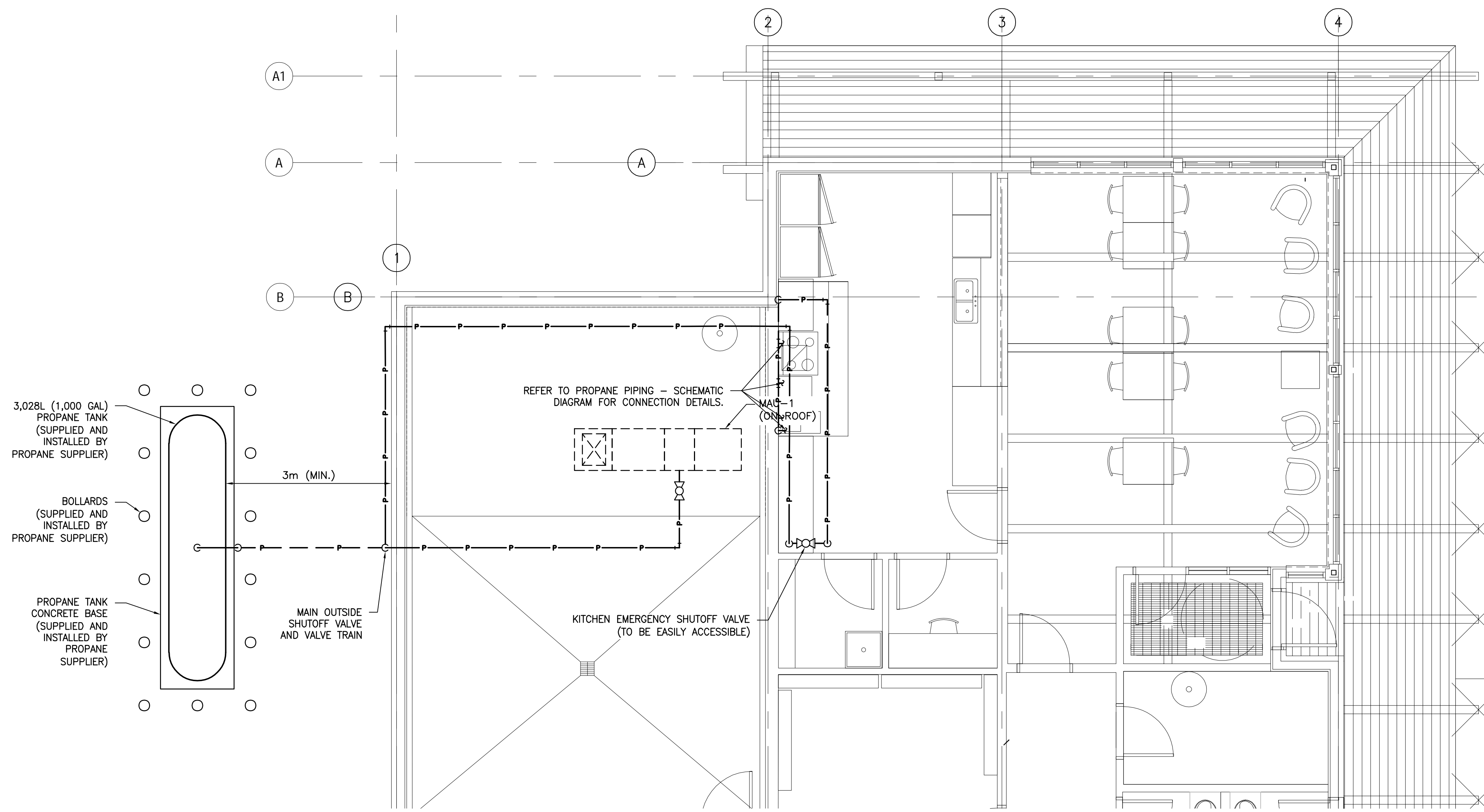
SEAL

PROJECT:  
**KCIW KNICANEWEK SPORTS AND RECREATION PARK - PHASE 2 BUILDINGS TOBIQUE FIRST NATION, NB**

DRAWING TITLE:  
**-MECHANICAL- FIRE PROTECTION PLAN VIEWS**

DESIGN: F. GODIN APPROVED: G. ARSENEAU  
DRAWN: S. COMEAU DATE: 2021-05-01  
VERIFIED: G. ARSENEAU SCALE: AS SHOWN

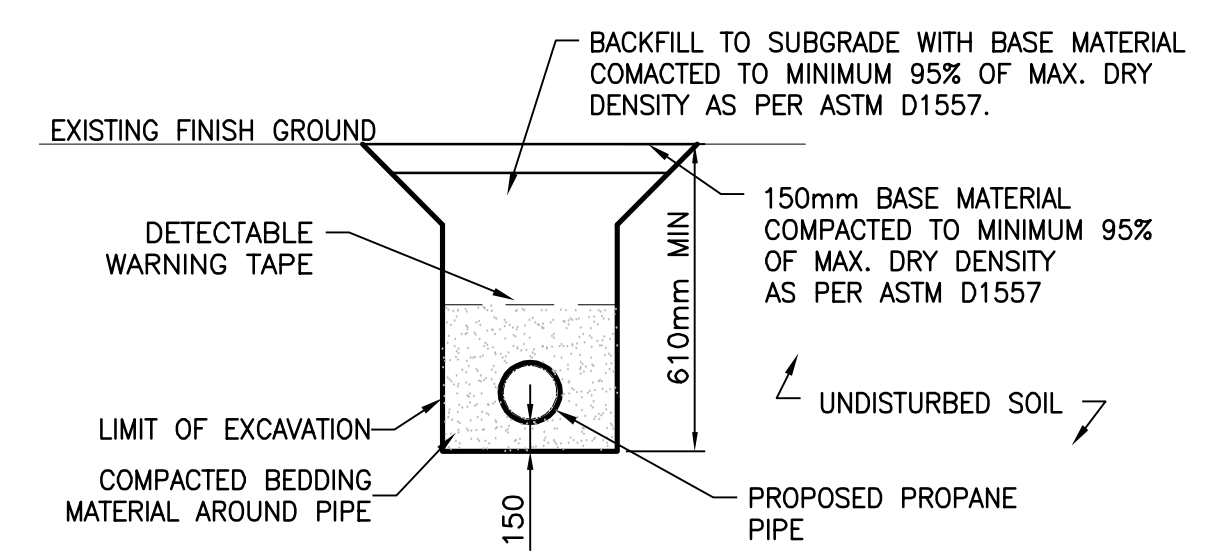
PROJECT NO: **9223-18-00** DRAWING NO: **FP1**



**PARK CENTER BUILDING PLAN VIEW - PROPANE CONNECTION DETAILS**  
SCALE: 1:50

**NOTES:**  
REFER TO SCHEMATIC ON THIS DRAWING FOR PIPE SIZE AND ARRANGEMENT.

LEGEND	
	NEW PROPANE GAS PIPING
	NEW UNDERGROUND PROPANE GAS PIPING
	GATE VALVE
	BALL VALVE
	BUTTERFLY VALVE
	STRAINER
	CHECK VALVE
	PRESSURE REGULATOR
	LOCKABLE VALVE
	PRESSURE GAUGE
	SOLENOID VALVE
	PIPE DOWN
	PIPE UP
	TEE DOWN
	TEE
	90° ELBOW
	BRAIDED FLEXIBLE COUPLING



**UNDERGROUND PROPANE PIPING DETAIL**  
N.T.S.

ARCHITECTS:  
**EVOOQ**  
1435, RUE SAINT-ALEXANDRE, BUREAU 1000  
MONTREAL (QUEBEC) H3A 2G4  
T / 514-993-9490 F / 514-993-9498  
info@evoqarchitecture.com

ENGINEERS:  
**ROY CONSULTANTS**  
13, rue Costigan Street  
Edmundston (NB) E3V 1W7  
T / 506.733.9730  
F / 506.548.2207  
#493-18-4A

CLIENT:  
Red Island Contractors Inc.  
305, Route 390, Tobique First Nation, NB, E7H 4P7

**GENERAL NOTES:**  
1. ALL WORK SHALL CONFORM TO THE NATIONAL BUILDING CODE OF CANADA EDITION 2015, NATIONAL FIRE CODE OF CANADA EDITION 2015, NATIONAL PLUMBING CODE OF CANADA EDITION 2015, NATIONAL ENERGY CODE OF CANADA FOR BUILDINGS EDITION 2011, NFPA 10, NFPA 17A, NFPA 96, NB REGULATION 2021-3, CSA B651-18 - ACCESSIBLE DESIGN FOR THE BUILT ENVIRONMENT, CSA B149.1-15 - NATURAL GAS AND PROPANE INSTALLATION CODE, CSA B149.2-15 - PROPANE STORAGE AND AND TO THE REQUIREMENTS OF THE AUTHORITY HAVING JURISDICTION.

2. THE DRAWINGS ARE DIAGRAMMATIC AND INDICATE GENERAL LOCATIONS FOR MECHANICAL EQUIPMENT & PLUMBING. THIS CONTRACTOR SHALL VERIFY ALL EQUIPMENT LOCATIONS ON SITE PRIOR TO INSTALLATION AND SHALL COORDINATE THE LOCATIONS SO AS NOT TO CAUSE INTERFERENCE WITH THE WORK OF OTHER TRADES.

3. CONTRACTOR IS RESPONSIBLE TO VISIT THE JOB SITE TO VERIFY ALL EXISTING CONDITIONS WHICH COULD AFFECT THE WORK. NO EXTRA COST WILL BE ALLOWED DUE TO FAILURE TO TAKE SITE CONDITIONS INTO CONSIDERATION. BE FAMILIAR WITH ALL RELATED WORK TO AVOID CONFLICTS WITH OTHER TRADES. IF THERE ARE ANY CONFLICTS REPORT TO ENGINEER.

4. THIS CONTRACTOR SHALL COORDINATE ALL FLOOR, CEILING AND WALL PENETRATIONS WITH GENERAL CONTRACTOR AND/OR THE OWNER PRIOR TO CUTTING.

REVISION	DESCRIPTION	BY	DATE
0	ISSUED FOR TENDER	F.G.	2022-05-31
A	ISSUED FOR 50% REVIEW	F.G.	2021-06-18

**GENERAL NOTES:**  
1. THE GENERAL CONTRACTOR IS RESPONSIBLE FOR VERIFYING ALL DIMENSIONS ON SITE TO ENSURE CONFORMITY WITH THE DIMENSIONS GIVEN ON THE DRAWINGS.  
2. THE GENERAL CONTRACTOR IS RESPONSIBLE TO IMMEDIATELY SUBMIT A REPORT TO THE ARCHITECT OR ENGINEER WITH ANY INACCURACIES.  
3. THE GENERAL CONTRACTOR SHOULD NOT TAKE SCALED MEASUREMENTS OFF THE DRAWINGS.  
4. ANY INDIVIDUAL OR FIRM THAT HAVE RECEIVED ELECTRONIC DOCUMENT USE THEM AT THEIR OWN RISK. ONLY ORIGINAL DRAWINGS, STAMPED BY THE ARCHITECT, CAN BE USED FOR CONSTRUCTION.

SEAL

PROJECT:  
**KCIW KNICANEWEK SPORTS AND RECREATION PARK - PHASE 2 BUILDINGS TOBIQUE FIRST NATION, NB**

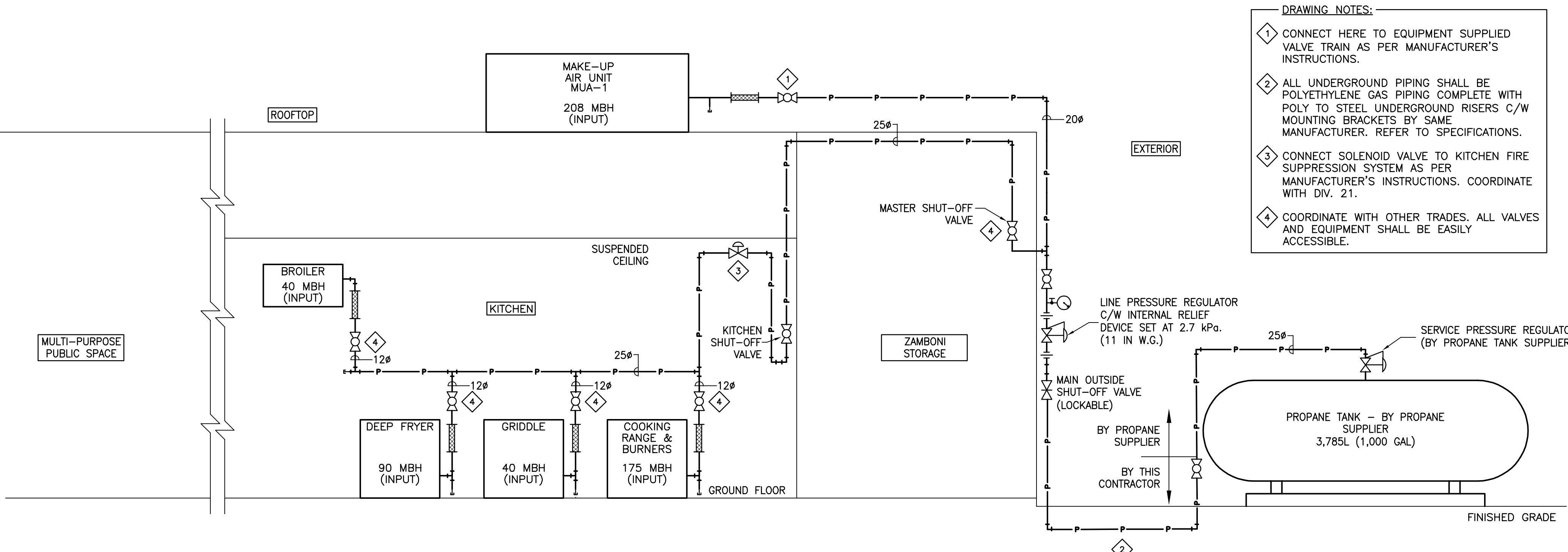
DRAWING TITLE:  
**-MECHANICAL- PROPANE PIPING CONNECTIONS & DETAILS**

DESIGN: F.GODIN APPROVED: G.ARSENEAU

DRAWN: F.GODIN DATE: 2021-05-01

VERIFIED: G.ARSENEAU SCALE: AS SHOWN

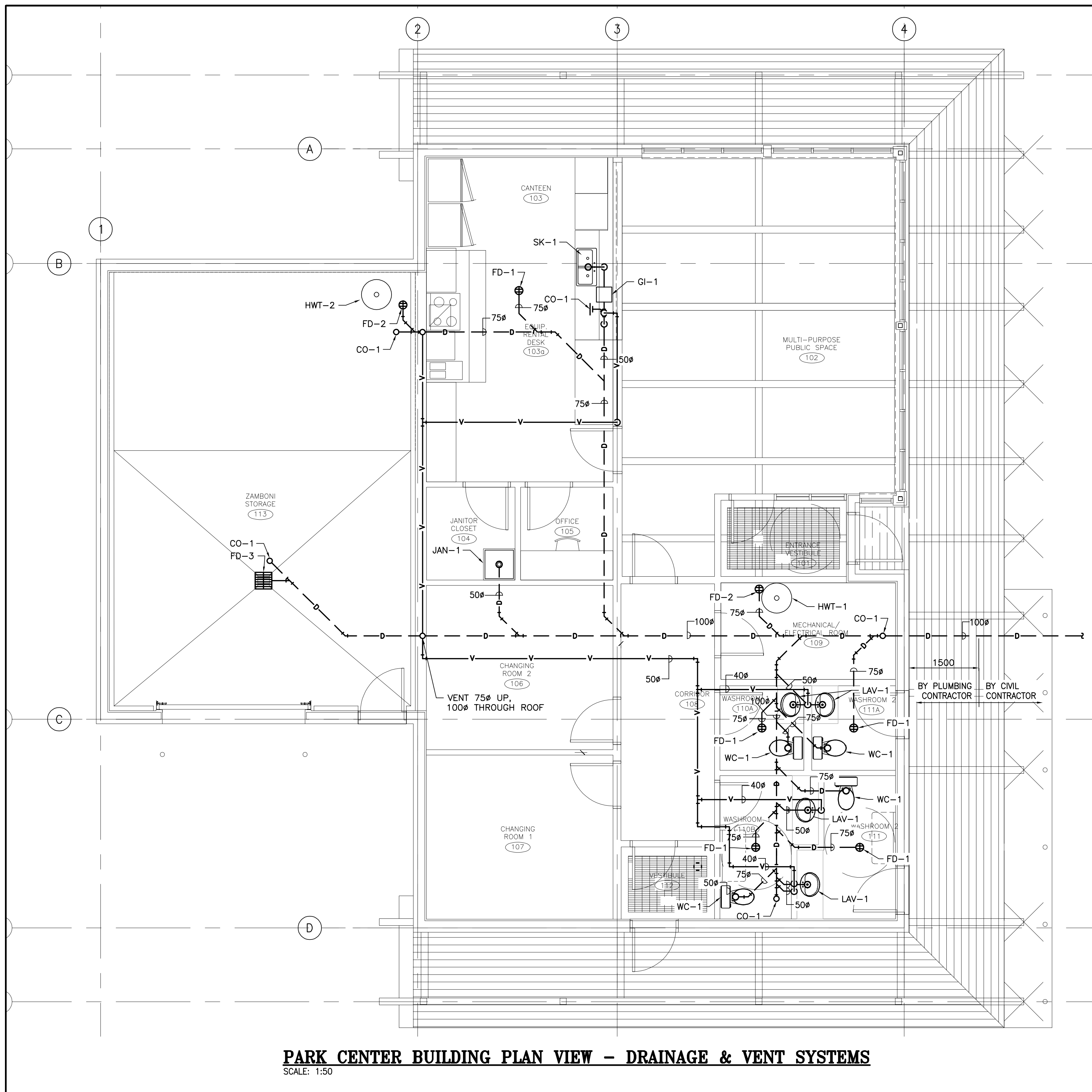
PROJECT N°: 9223-18-00 DRAWING N°: MH1



**PROPANE PIPING - SCHEMATIC DIAGRAM**  
N.T.S.

**DRAWING NOTES:**  
1. CONNECT HERE TO EQUIPMENT SUPPLIED VALVE TRAIN AS PER MANUFACTURER'S INSTRUCTIONS.  
2. ALL UNDERGROUND PIPING SHALL BE POLYETHYLENE GAS PIPING COMPLETE WITH POLY TO STEEL UNDERGROUND RISERS C/W MOUNTING BRACKETS BY SAME MANUFACTURER. REFER TO SPECIFICATIONS.  
3. CONNECT SOLENOID VALVE TO KITCHEN FIRE SUPPRESSION SYSTEM AS PER MANUFACTURER'S INSTRUCTIONS. COORDINATE WITH DIV. 21.  
4. COORDINATE WITH OTHER TRADES. ALL VALVES AND EQUIPMENT SHALL BE EASILY ACCESSIBLE.

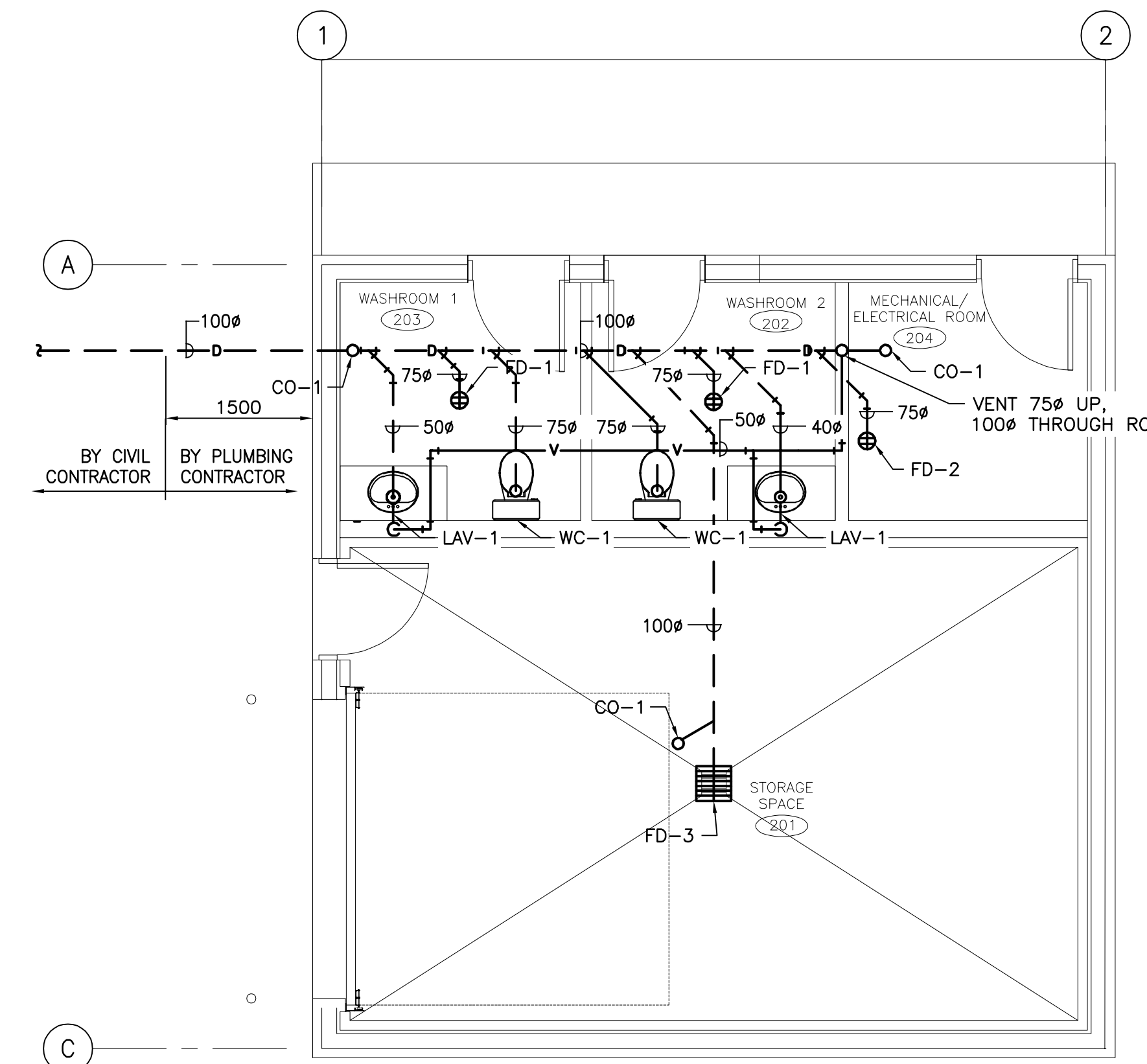




**PARK CENTER BUILDING PLAN VIEW - DRAINAGE & VENT SYSTEMS**  
SCALE: 1:50

**GENERAL NOTES:**

1. ALL WORK SHALL CONFORM TO THE NATIONAL BUILDING CODE OF CANADA EDITION 2015, NATIONAL FIRE CODE OF CANADA EDITION 2015, NATIONAL PLUMBING CODE OF CANADA EDITION 2015, NATIONAL ENERGY CODE OF CANADA FOR BUILDINGS EDITION 2011, NFPA 10, NFPA 17A, NFPA 96, NB REGULATION 2021-3, CSA B651-18 - ACCESSIBLE DESIGN FOR THE BUILT ENVIRONMENT, CSA B149.1-15 - NATURAL GAS AND PROPANE INSTALLATION CODE, CSA B149.2-15 - PROPANE STORAGE AND AND TO THE REQUIREMENTS OF THE AUTHORITY HAVING JURISDICTION.
2. THE DRAWINGS ARE DIAGRAMMATIC AND INDICATE GENERAL LOCATIONS FOR MECHANICAL EQUIPMENT & PLUMBING. THIS CONTRACTOR SHALL VERIFY ALL EQUIPMENT LOCATIONS ON SITE PRIOR TO INSTALLATION AND SHALL COORDINATE THE LOCATIONS SO AS NOT TO CAUSE INTERFERENCE WITH THE WORK OF OTHER TRADES.
3. CONTRACTOR IS RESPONSIBLE TO VISIT THE JOB SITE TO VERIFY ALL EXISTING CONDITIONS WHICH COULD AFFECT THE WORK. NO EXTRA COST WILL BE ALLOWED DUE TO FAILURE TO TAKE SITE CONDITIONS INTO CONSIDERATION. BE FAMILIAR WITH ALL RELATED WORK TO AVOID CONFLICTS WITH OTHER TRADES. IF THERE ARE ANY CONFLICTS REPORT TO ENGINEER.
4. THIS CONTRACTOR SHALL COORDINATE ALL FLOOR, CEILING AND WALL PENETRATIONS WITH GENERAL CONTRACTOR AND/OR THE OWNER PRIOR TO CUTTING.
5. ALL UNDERGROUND DRAINAGE PIPING SHALL BE MINIMUM 50Ø.



**SERVICE BUILDING PLAN VIEW - DRAINAGE & VENT SYSTEMS**  
SCALE: 1:50

**PLUMBING LEGEND**

	DCW	DOMESTIC COLD WATER LINE
	DHW	DOMESTIC HOT WATER LINE
	D	SANITARY DRAIN LINE
	D	SANITARY UNDERGROUND OR BELOW FLOOR DRAIN LINE
	V	VENT LINE
	V	VENT UNDERGROUND OR BELOW FLOOR LINE
	TP	TRAP PRIMER LINE
	TP	TRAP PRIMER UNDERGROUND OR BELOW FLOOR LINE
	CO-1	FLOOR CLEANOUT
	CO-2	WALL CLEANOUT AT BOTTOM OF RISER
	CO-3	CEILING SPACE CLEANOUT
	FD-1	FLOOR DRAIN
	FD-2	FLOOR DRAIN
	FD-3	FLOOR DRAIN
	WH-1	WATER HAMMER ARRESTOR
	TP-1	TRAP SEAL PRIMER
	TP-1	TRAP SEAL PRIMER UNDERGROUND OR BELOW FLOOR LINE
	HB-1	HOSE BIB
	HB-1	HOSE BIB UNDERGROUND OR BELOW FLOOR LINE
	DCV-1	DOUBLE CHECK VALVE ASSEMBLY (DCVA)
	DCV-1	DOUBLE CHECK VALVE ASSEMBLY (DCVA) UNDERGROUND OR BELOW FLOOR LINE
	RP-1	REDUCED PRESSURE ZONE ASSEMBLY (RP)
	RP-1	REDUCED PRESSURE ZONE ASSEMBLY (RP) UNDERGROUND OR BELOW FLOOR LINE
	ST-1	STRAINER
	ST-1	STRAINER UNDERGROUND OR BELOW FLOOR LINE
		LINE GOING DOWN
		LINE GOING UP
		TEE DOWN
		TEE
		UNION
		90° ELBOW
		WYE
		REDUCER
		BALL VALVE
		GATE VALVE
		CHECK VALVE

ARCHITECTS:

**EVOQ**

1435, RUE SAINT-ALEXANDRE, BUREAU 1000  
MONTREAL (QUEBEC) H3A 2G4  
T: 514-393-9490 F: 514-393-9498  
info@evoqarchitecture.com

ENGINEERS:

**ROY CONSULTANTS**  
ENGINEERING SERVICES D'INGÉNIERIE

13, rue Costigan Street  
Edmundston (NB) E3V 1W7  
T / 506.733.9730  
F / 506.548.2207

#493-18-4A

CLIENT:

Red Island Contractors Inc.  
305, Route 390, Tobique First Nation, NB, E7H 4P7

NO.	DESCRIPTION	BY	DATE
0	ISSUED FOR TENDER	F.G.	2022-05-31
A	ISSUED FOR 50% REVIEW	S.C.	2021-06-18

**GENERAL NOTES:**

1. THE GENERAL CONTRACTOR IS RESPONSIBLE FOR VERIFYING ALL DIMENSIONS ON SITE TO ENSURE CONFORMITY WITH THE DIMENSIONS GIVEN ON THE DRAWINGS.
2. THE GENERAL CONTRACTOR IS RESPONSIBLE TO IMMEDIATELY SUBMIT A REPORT TO THE ARCHITECT OR ENGINEER WITH ANY INACCURACIES.
3. THE GENERAL CONTRACTOR SHOULD NOT TAKE SCALED MEASUREMENTS OFF THE DRAWINGS.
4. ANY INDIVIDUAL OR FIRM THAT HAVE RECEIVED ELECTRONIC DOCUMENT USE THEM AT THEIR OWN RISK. ONLY ORIGINAL DRAWINGS, STAMPED BY THE ARCHITECT, CAN BE USED FOR CONSTRUCTION.

SEAL

PROJECT:

KCIW KNICANEWEK SPORTS  
AND RECREATION PARK -  
PHASE 2 BUILDINGS  
TOBIQUE FIRST NATION, NB

DRAWING TITLE:

-MECHANICAL-  
DRAINAGE & VENT SYSTEMS  
PLAN VIEWS

DESIGN: F. GODIN

APPROVED: G. ARSENEAU

DRAWN: F. GODIN

DATE: 2021-05-01

VERIFIED: G. ARSENEAU

SCALE: AS SHOWN

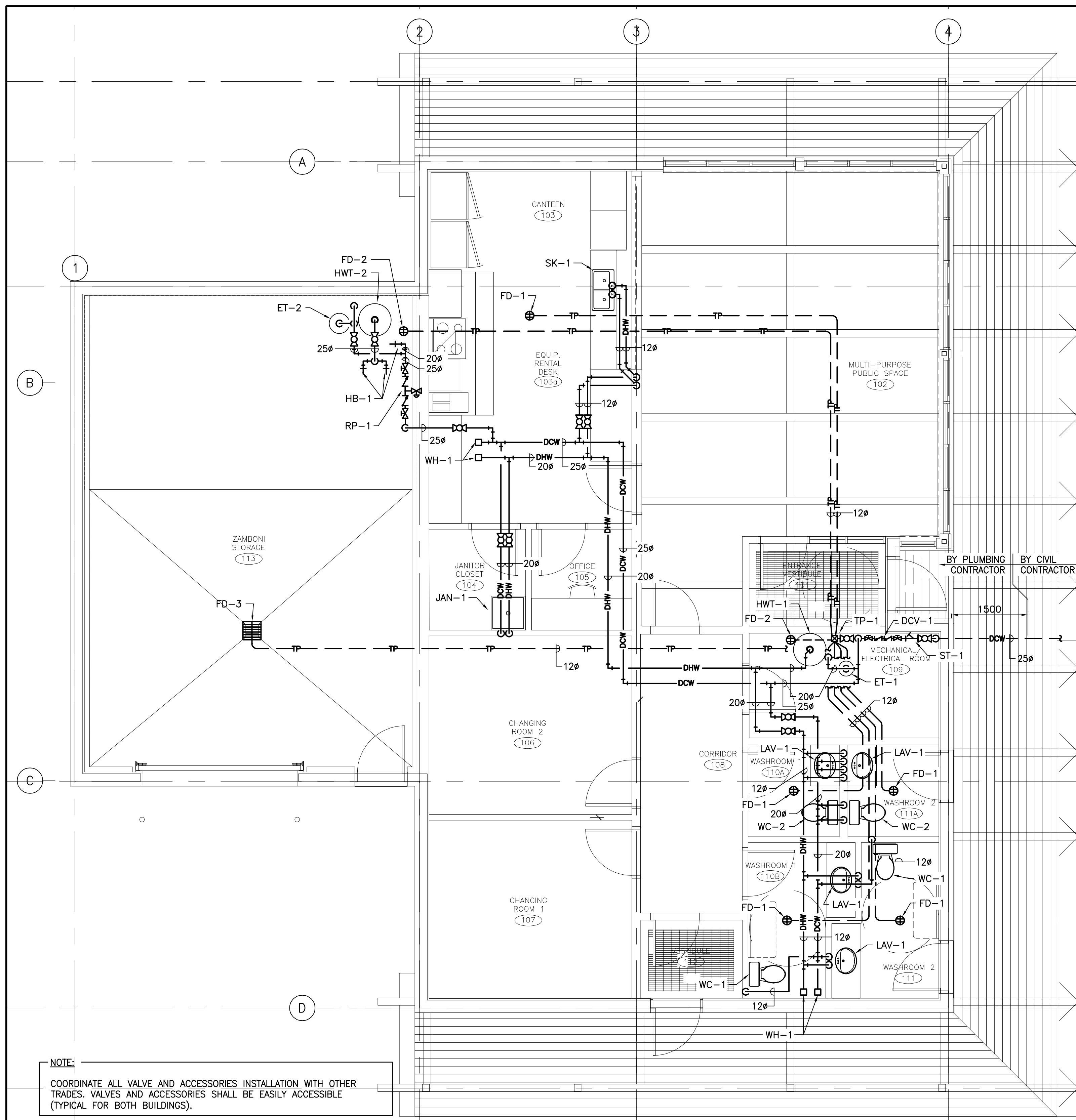
PROJECT NO.:

9223-18-00

DRAWING NO.:

MP1

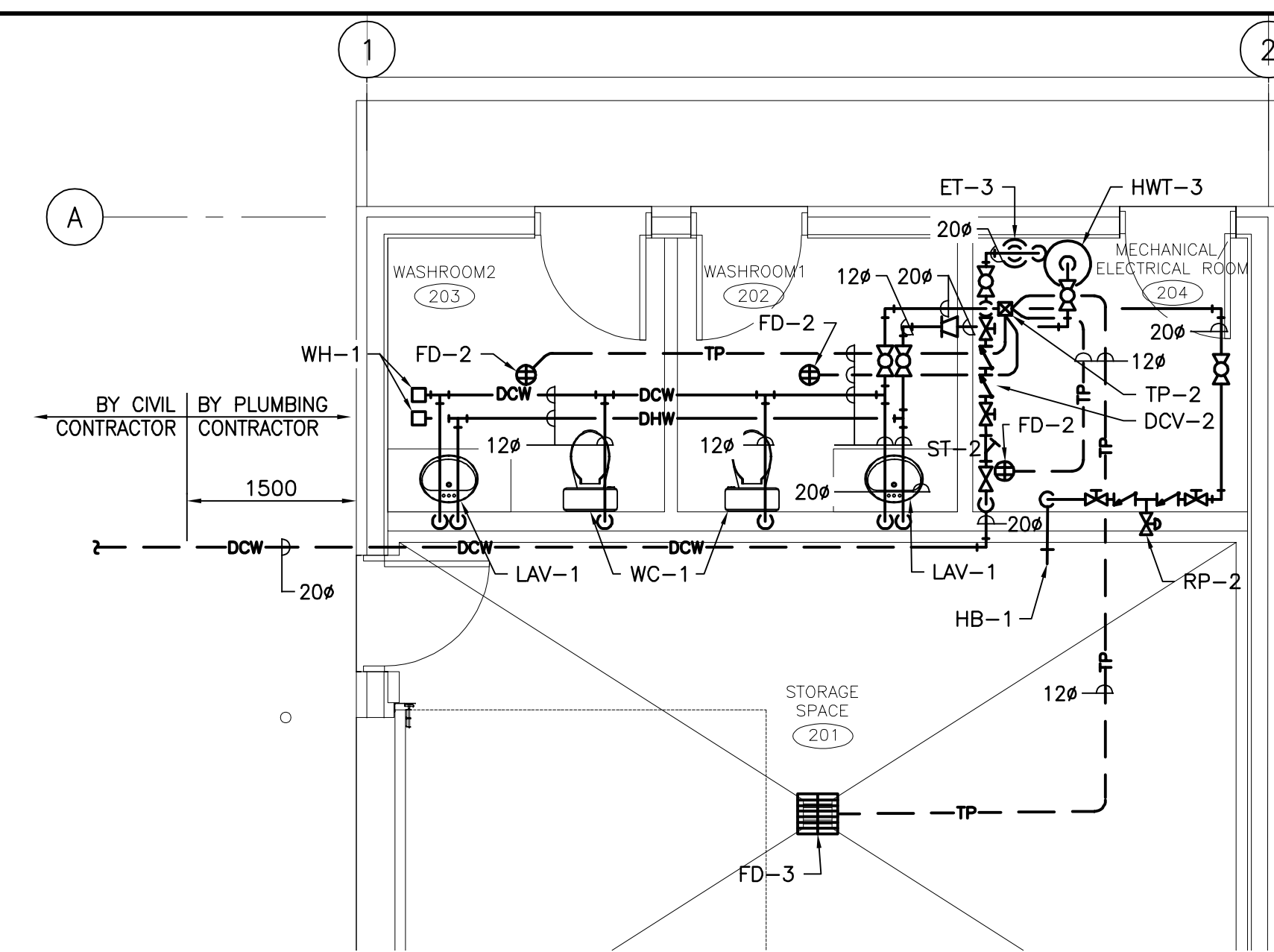




**PARK CENTER BUILDING PLAN VIEW - DOMESTIC WATER SYSTEM**  
SCALE: 1:50

**NOTE:**  
COORDINATE ALL VALVE AND ACCESSORIES INSTALLATION WITH OTHER TRADES. VALVES AND ACCESSORIES SHALL BE EASILY ACCESSIBLE (TYPICAL FOR BOTH BUILDINGS).

- GENERAL NOTES:**
1. ALL WORK SHALL CONFORM TO THE NATIONAL BUILDING CODE OF CANADA EDITION 2015, NATIONAL FIRE CODE OF CANADA EDITION 2015, NATIONAL PLUMBING CODE OF CANADA EDITION 2015, NATIONAL ENERGY CODE OF CANADA FOR BUILDINGS EDITION 2011, NFPA 10, NFPA 17A, NFPA 96, NB REGULATION 2021-3, CSA B651-18 - ACCESSIBLE DESIGN FOR THE BUILT ENVIRONMENT, CSA B149.1-15 - NATURAL GAS AND PROPANE INSTALLATION CODE, CSA B149.2-15 - PROPANE STORAGE AND AND TO THE REQUIREMENTS OF THE AUTHORITY HAVING JURISDICTION.
  2. THE DRAWINGS ARE DIAGRAMMATIC AND INDICATE GENERAL LOCATIONS FOR MECHANICAL EQUIPMENT & PLUMBING. THIS CONTRACTOR SHALL VERIFY ALL EQUIPMENT LOCATIONS ON SITE PRIOR TO INSTALLATION AND SHALL COORDINATE THE LOCATIONS SO AS NOT TO CAUSE INTERFERENCE WITH THE WORK OF OTHER TRADES.
  3. CONTRACTOR IS RESPONSIBLE TO VISIT THE JOB SITE TO VERIFY ALL EXISTING CONDITIONS WHICH COULD AFFECT THE WORK. NO EXTRA COST WILL BE ALLOWED DUE TO FAILURE TO TAKE SITE CONDITIONS INTO CONSIDERATION. BE FAMILIAR WITH ALL RELATED WORK TO AVOID CONFLICTS WITH OTHER TRADES. IF THERE ARE ANY CONFLICTS REPORT TO ENGINEER.
  4. THIS CONTRACTOR SHALL COORDINATE ALL FLOOR, CEILING AND WALL PENETRATIONS WITH GENERAL CONTRACTOR AND/OR THE OWNER PRIOR TO CUTTING.



**SERVICE BUILDING PLAN VIEW - DOMESTIC WATER SYSTEM**  
SCALE: 1:50

**PLUMBING SCHEDULE**

TYPE	DESCRIPTION	MODEL	ACCESSORIES	PIPING				NOTES
				C	H	SAN	V	
WC-1	BARRIER FREE WATER CLOSET W/ RIGHT HAND LEVER & LOCKING TANK	BOWL: CONTRACT 4722BHV TANK: CONTRACT 4721BFV-RH-L (LOCKING & LINED TANK)	SUPPLY: DELTA COMMERCIAL 47P1316SD SEAT: BEMIS 1955CT 000	12"	12"	75"	-	-
WC-2	STANDARD WATER CLOSET	AMERICAN STANDARD 215CA.004 C/W AQUAGUARD LINER & TANK COVER LOCKING DEVICE 418BA.074	SUPPLY: DELTA COMMERCIAL 47P1316SD SEAT: BEMIS 1955CT 000	12"	12"	75"	-	-
LAV-1	COUNTERTOP LAVATORY	AMERICAN STANDARD 0477.028	FAUCET: DELTA COMMERCIAL 21C154 SUPPLIES: DELTA COMMERCIAL 47P2512SD WASTE: DELTA COMMERCIAL 33T290 TRAP: DELTA COMMERCIAL 33T211 WASTE & TRAP INSULATION: MCGUIRE PROWRAP	12"	12"	32"	32"	-
SK-1	STAINLESS STEEL, SINGLE COMPARTMENT SINK	KINDRED LBS4010P-1/3	FAUCET: DELTA COMMERCIAL 100LF-HDF SUPPLIES: DELTA COMMERCIAL 47P2512SD BASKET STRAINER & TAILPIECE: MCGUIRE 151 TRAP: ABS	12"	12"	40"	40"	INSTALL SUPPLY AND SANITARY PIPING IN CABINET NEATLY AND SECURE ON WALL.
JAN-1	JANITOR MOP BASSIN	FIAT TSB3000 (610x610) STOCKTON	SERVICE SINK FAUCET: FIAT 830AA SERVICE FAUCET ADAPTER: FIAT 834AA HOSE/BRAKET COMBINATION: FIAT 832AA MOP HANGER BRACKET 889CC STRAINER: FIAT 1453BB VANDAL PROOF DRAIN ASSEMBLY: FIAT 51340075000 WALL GUARD: FIAT MSG2424 QUICK DRAIN CONNECTOR: FIAT QDC32 TERRAZZO REPAIR KIT: TERRAZZOKIT	20"	20"	50"	50"	-
FD-1	GENERAL FLOOR DRAIN	JAY R. SMITH 2005Y-B-P050-U(A)	-	-	-	75"	-	REFER TO FLOOR DRAIN DETAIL ON DRAWING MP3
FD-2	FUNNEL FLOOR DRAIN	JAY R. SMITH 3510Y-B-P050-U (FIG. 3590)	-	-	-	75"	-	REFER TO FLOOR DRAIN DETAIL ON DRAWING MP3
FD-3	GARAGE FLOOR DRAIN	JAY R. SMITH 2410C-U-G	C/W TRAP PRIMER CONNECTION	-	-	100"	-	REFER TO HEAVY DUTY FLOOR DRAIN DETAIL ON DRAWING MP3
CO-1	FLOOR CLEANOUT	FINISHED FLOOR: 4033L-U TILE FLOOR: 4153L-U CERAMIC FLOOR: 4193L-U HEAVY-DUTY: 4233L-U	-	-	-	SEE PLAN	-	-
C-2	GREASE INTERCEPTOR CLEANOUT	CLEANOUT TEE AND COUNTERSUNK TAPER THREAD PLUG	-	-	-	50"	-	-
DCV-1	DOUBLE CHECK VALVE ASSEMBLY	WATTS LF707QT	-	25"	-	-	-	REFER TO MAIN WATER ENTRANCE PIPING DETAIL ON DRAWING MP3
DCV-2	DOUBLE CHECK VALVE ASSEMBLY	WATTS LF707QT	-	20"	-	-	-	REFER TO MAIN WATER ENTRANCE PIPING DETAIL ON DRAWING MP3
RP-1	REDUCED PRESSURE ZONE ASSEMBLY	WATTS LF009QT	AIR GAP: WATTS 909AGC	25"	-	-	-	REFER TO REDUCED PRESSURE ZONE ASSEMBLY PIPING DETAIL ON DRAWING MP3
RP-2	REDUCED PRESSURE ZONE ASSEMBLY	WATTS LF009QT	AIR GAP: WATTS 909AGC	20"	-	-	-	REFER TO REDUCED PRESSURE ZONE ASSEMBLY PIPING DETAIL ON DRAWING MP3
ST-1	STRAINER	WATTS LF777SI	-	25"	-	-	-	REFER TO MAIN WATER ENTRANCE PIPING DETAIL ON DRAWING MP3
ST-2	STRAINER	WATTS LF777SI	-	20"	-	-	-	REFER TO MAIN WATER ENTRANCE PIPING DETAIL ON DRAWING MP3
TP-1	TRAP PRIMER	P.P.P. INC. PTS-8	-	20"	-	-	-	REFER TO TYPICAL TRAP PRIMER DETAIL ON DRAWING MP3
TP-2	TRAP PRIMER	P.P.P. INC. PTS-4	-	20"	-	-	-	REFER TO TYPICAL TRAP PRIMER DETAIL ON DRAWING MP3
HWT-1	DOMESTIC HOT WATER TANK	GIANT 172STE-3F7M (60 GAL.) INPUT: 4,500W / VOLTAGE: 240V	C/W WATER HEATER STAND SUCH AS EASTMAN OR APPROVED EQUAL.	20"	20"	-	-	-
HWT-2	DOMESTIC HOT WATER TANK	GIANT 1124 (100 GAL.) INPUT: 12 KW / VOLTAGE: 240V	C/W WATER HEATER STAND SUCH AS EASTMAN OR APPROVED EQUAL.	25"	25"	-	-	-
HWT-3	DOMESTIC HOT WATER TANK	GIANT 112SE0-3R5M (10 GAL.) INPUT: 3,000W / VOLTAGE: 240V	C/W WALL MOUNTING BRACKETS KIT BY HOT WATER TANK MANUFACTURER.	20"	20"	-	-	-
ET-1	EXPANSION TANK	WATTS PLT-12	-	20"	-	-	-	-
ET-2	EXPANSION TANK	WATTS PLT-35	-	25"	-	-	-	-
ET-3	EXPANSION TANK	WATTS PLT-5	-	20"	-	-	-	-
WH-1	WATER HAMMER ARRESTOR	JAY R. SMITH SERIES 5000	-	SEE PLAN	SEE PLAN	-	-	-
HB-1	HOSE BIBB	WATTS SCB-6	-	20"	-	-	-	-
GI-1	GREASE INTERCEPTOR	JAY R. SMITH 8004Y02-SS	-	-	-	50"	-	-

NO.	DESCRIPTION	BY	DATE
0	ISSUED FOR TENDER	F.G.	2022-05-31
A	ISSUED FOR 50% REVIEW	S.C.	2021-06-18

REVISION:

GENERAL NOTES:

1. THE GENERAL CONTRACTOR IS RESPONSIBLE FOR VERIFYING ALL DIMENSIONS ON SITE TO ENSURE CONFORMITY WITH THE DIMENSIONS GIVEN ON THE DRAWINGS.
2. THE GENERAL CONTRACTOR IS RESPONSIBLE TO IMMEDIATELY SUBMIT A REPORT TO THE ARCHITECT OR ENGINEER WITH ANY INACCURACIES.
3. THE GENERAL CONTRACTOR SHOULD NOT TAKE SCALED MEASUREMENTS OFF THE DRAWINGS.
4. ANY INDIVIDUAL OR FIRM THAT HAVE RECEIVED ELECTRONIC DOCUMENT USE THEM AT THEIR OWN RISK. ONLY ORIGINAL DRAWINGS, STAMPED BY THE ARCHITECT, CAN BE USED FOR CONSTRUCTION.

SEAL

PROJECT:  
**KCIW KNICANEWEK SPORTS AND RECREATION PARK - PHASE 2 BUILDINGS TOBIQUE FIRST NATION, NB**

DRAWING TITLE:

**-MECHANICAL- DOMESTIC WATER SYSTEM PLAN VIEWS**

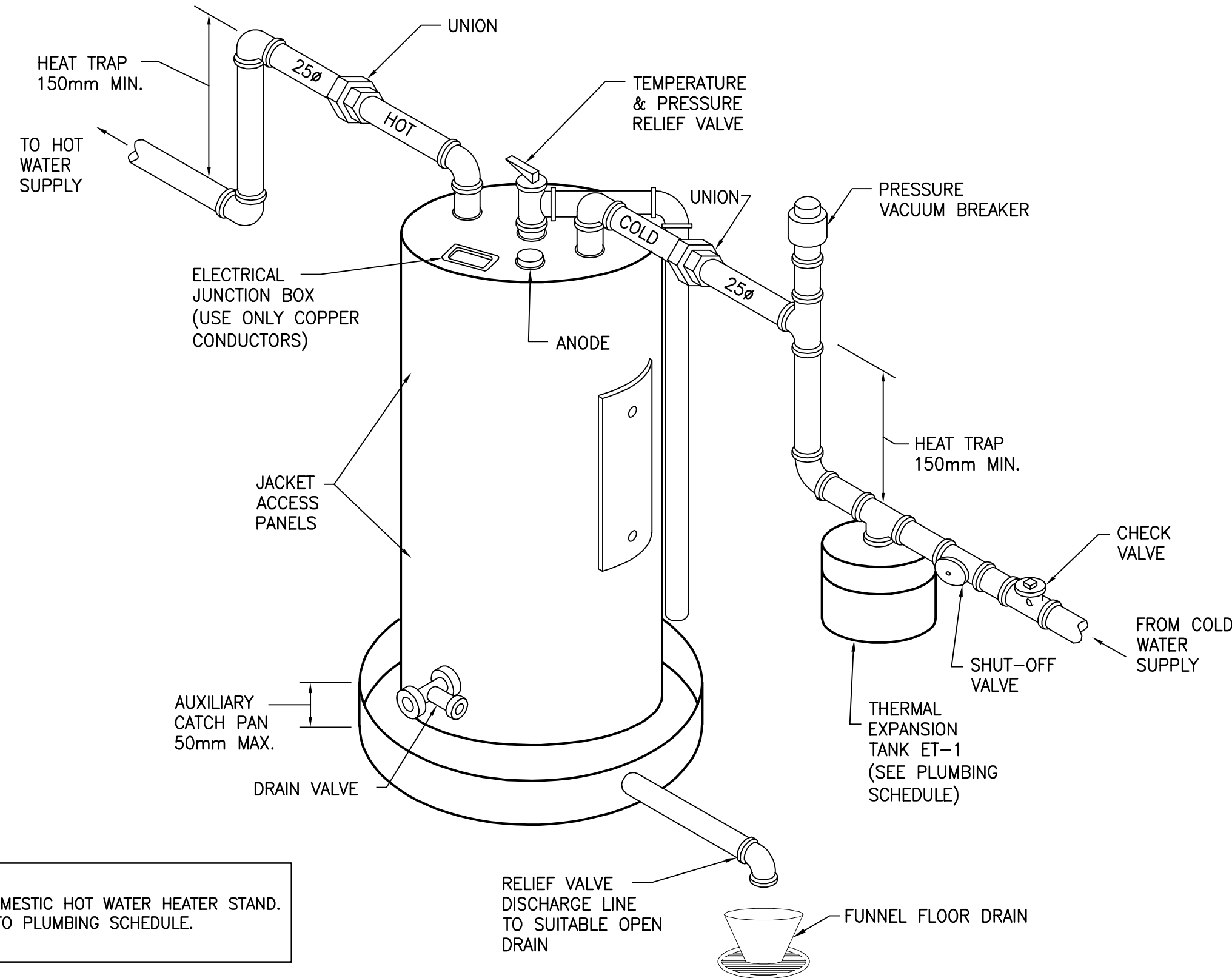
DESIGN: F. GODIN APPROVED: G. ARSENAU

DRAWN: S. COMEAU DATE: 2021-05-01

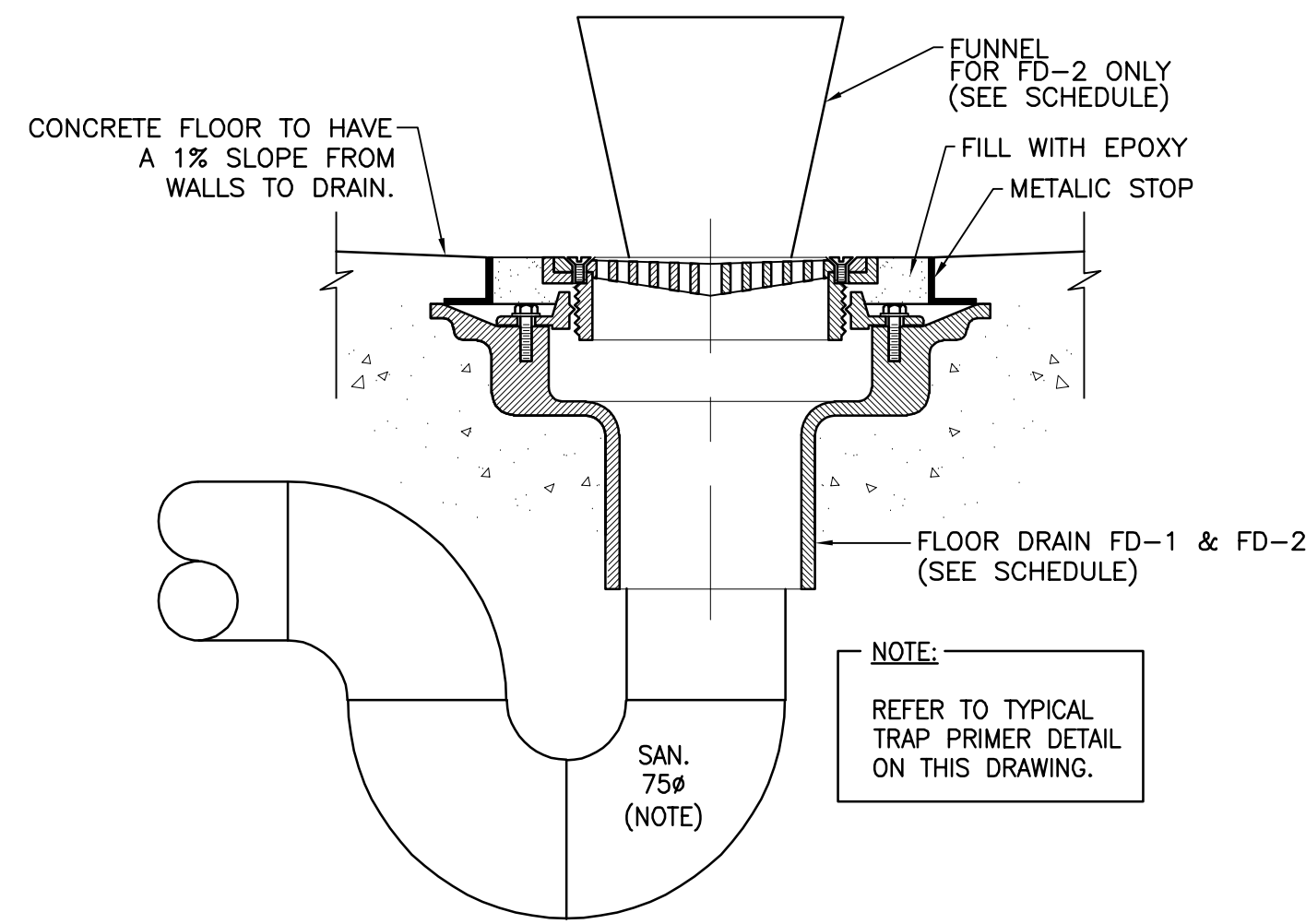
VERIFIED: G. ARSENAU SCALE: AS SHOWN

PROJECT NO: **9223-18-00** DRAWING NO: **MP2**

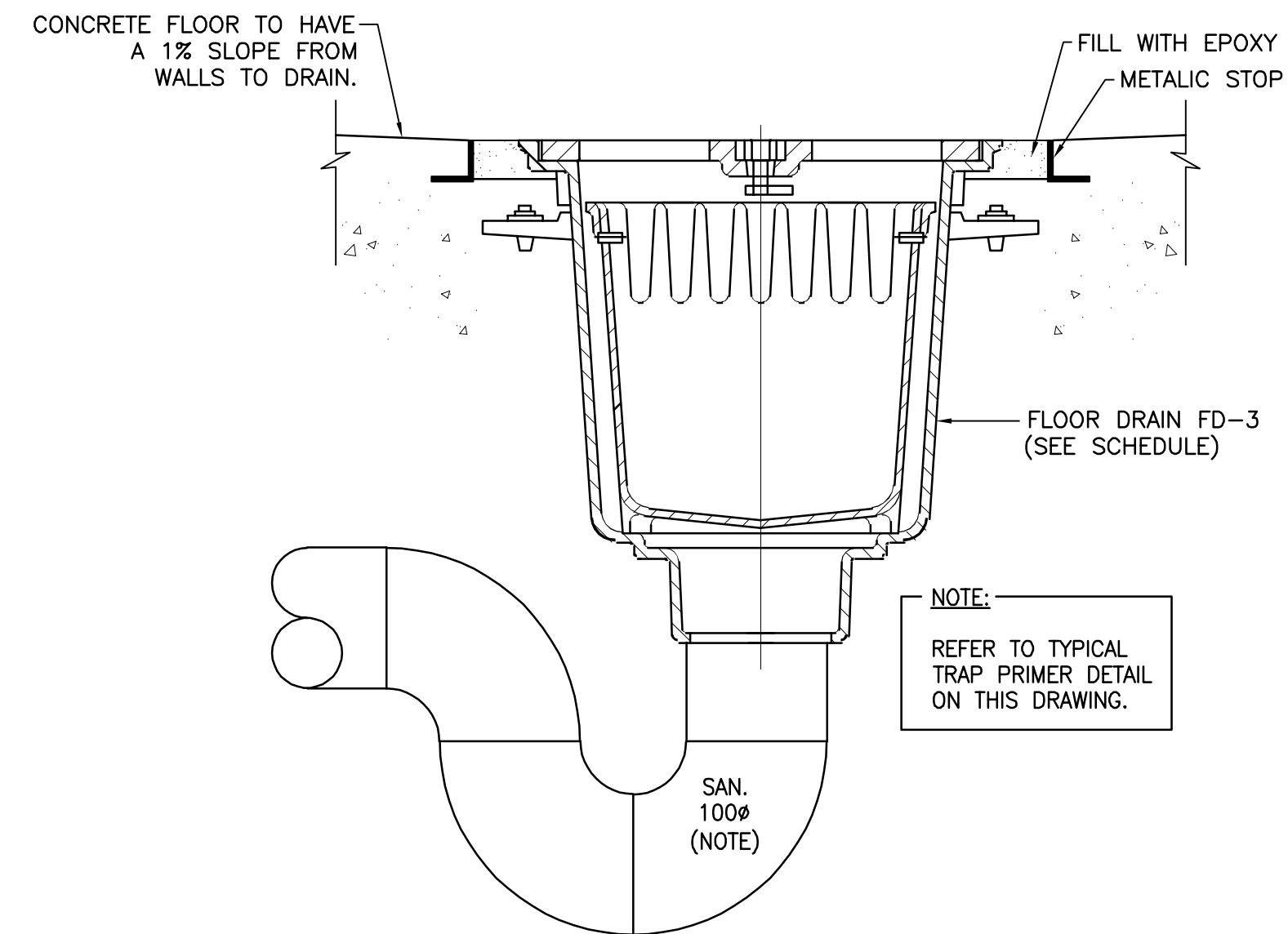




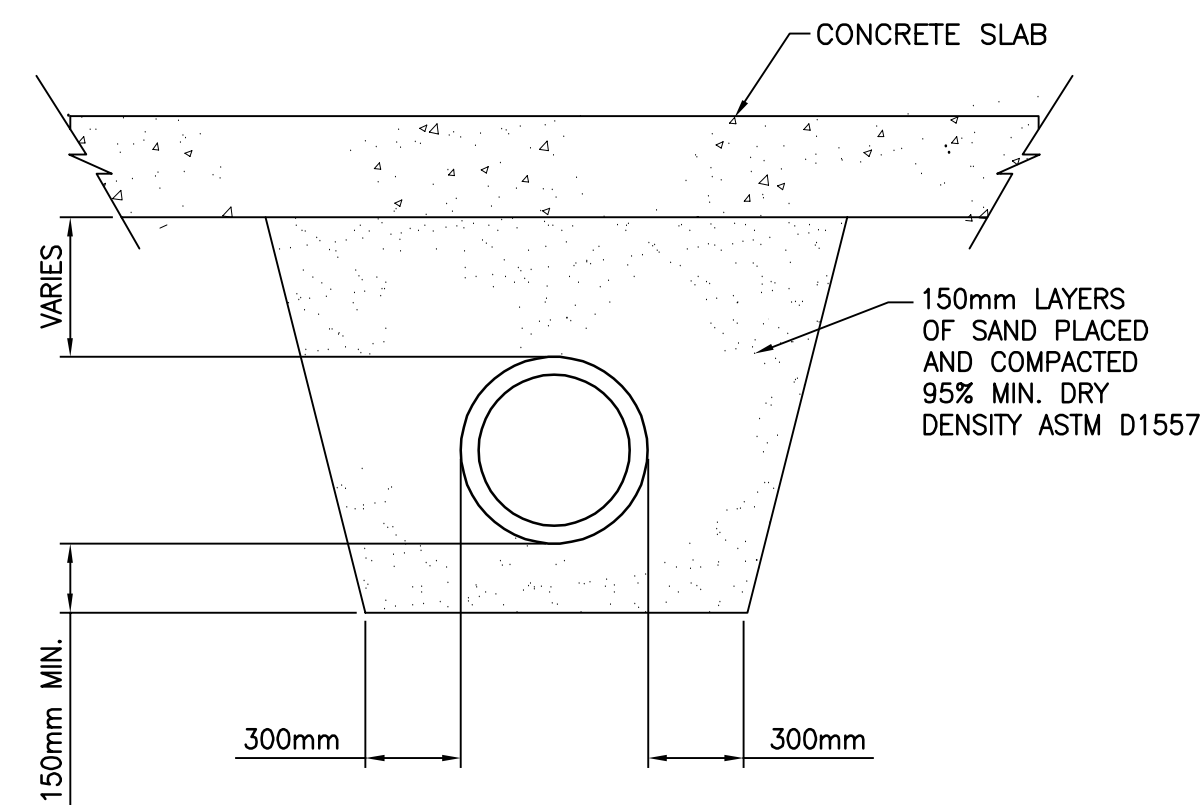
**DOMESTIC HOT WATER TANKS PIPING DETAIL**  
N.T.S.



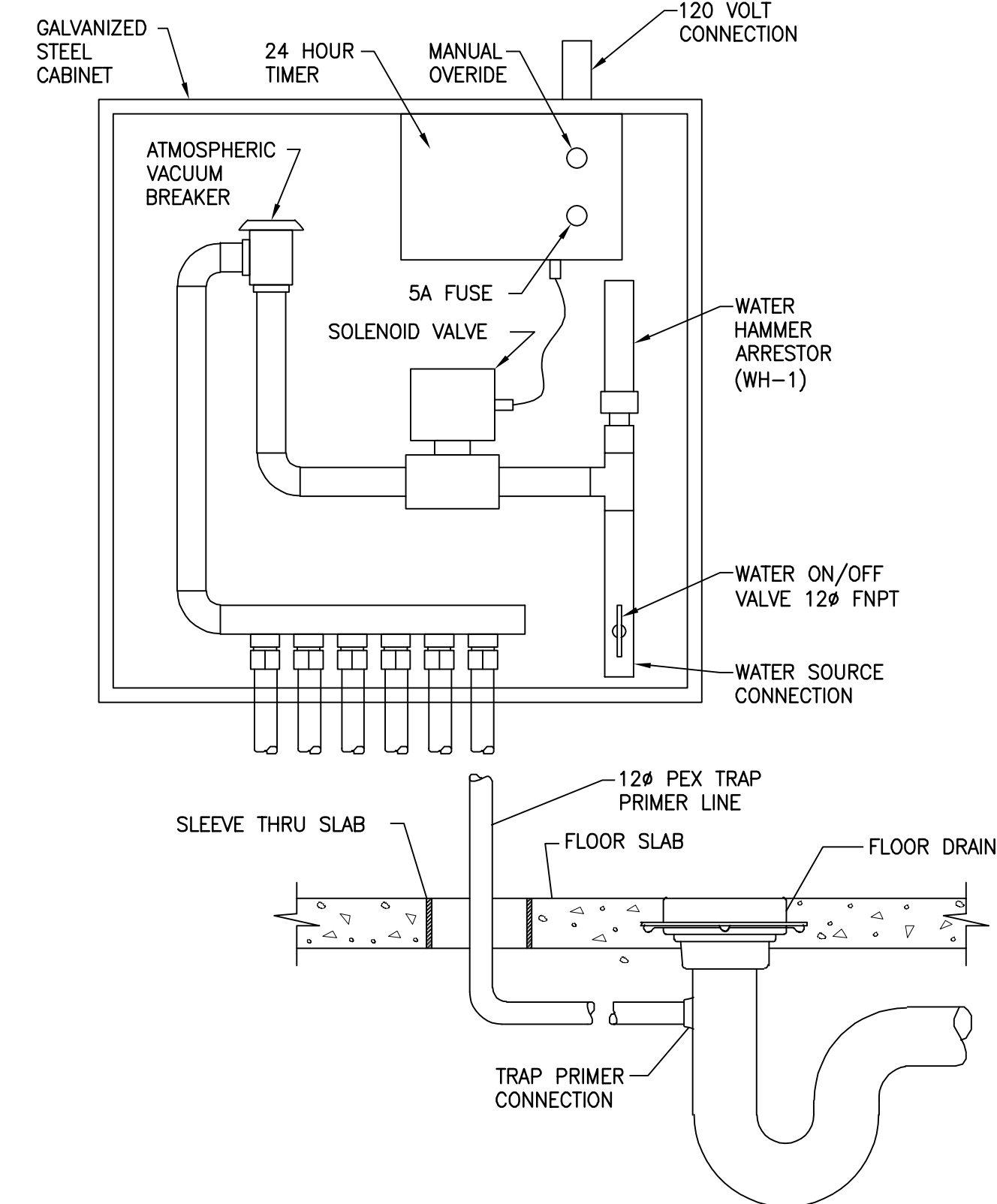
**FLOOR DRAIN DETAILS**  
N.T.S.



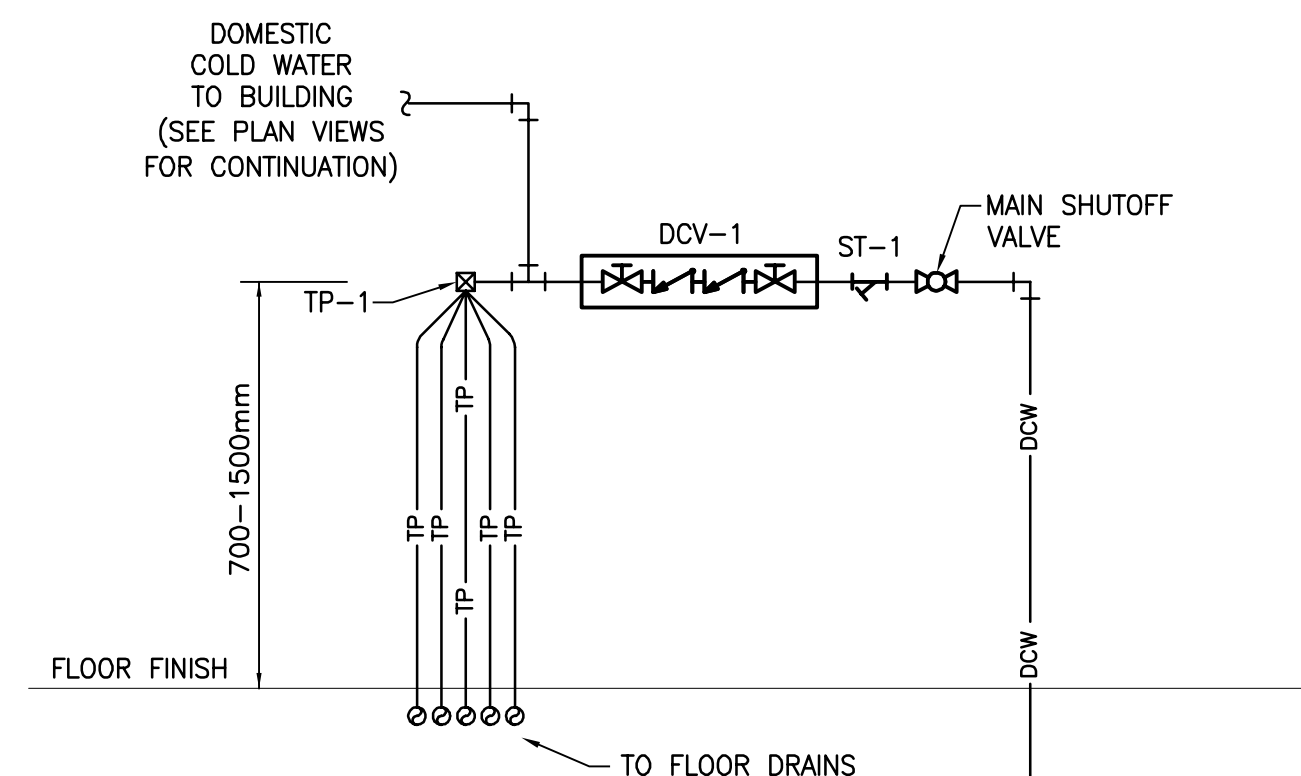
**HEAVY DUTY FLOOR DRAINS DETAIL**  
N.T.S.



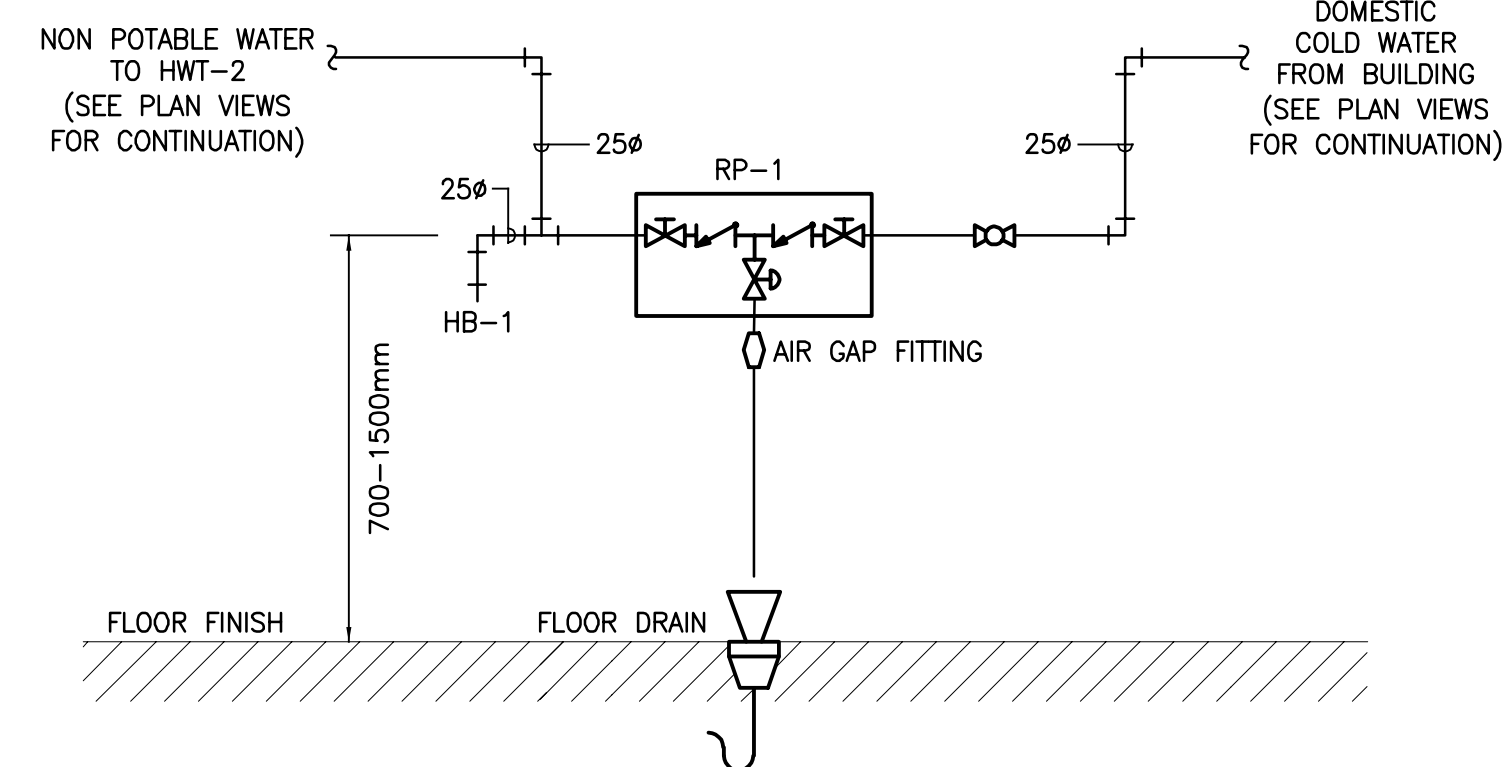
**TYPICAL PIPE UNDER SLAB DETAIL**  
N.T.S.



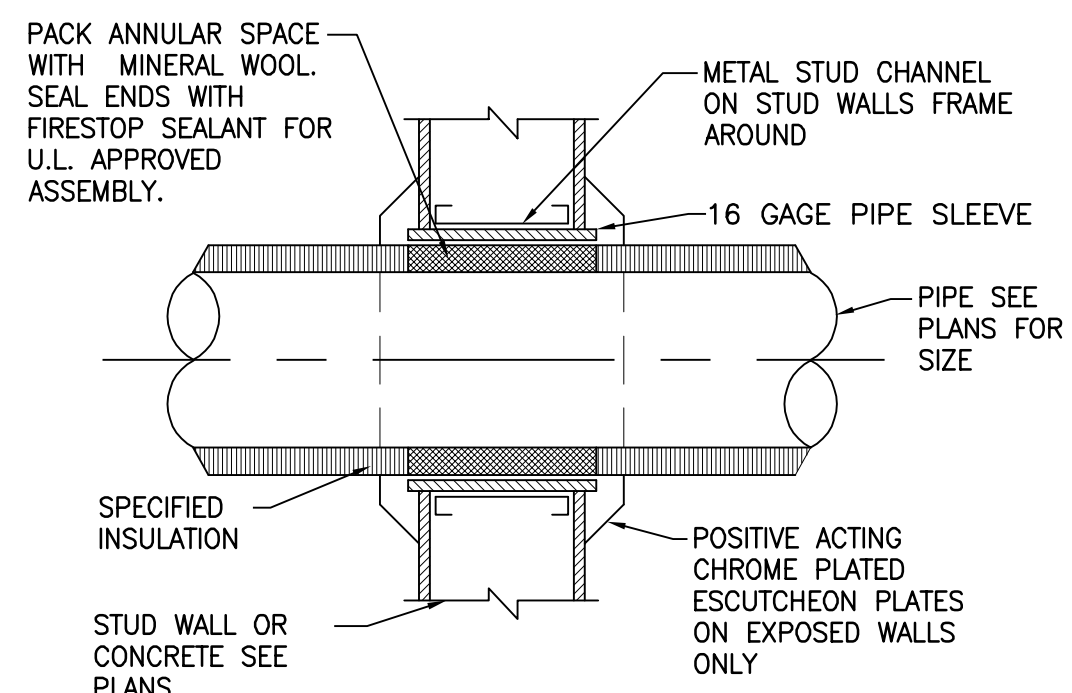
**TYPICAL TRAP PRIMER DETAIL**  
N.T.S.



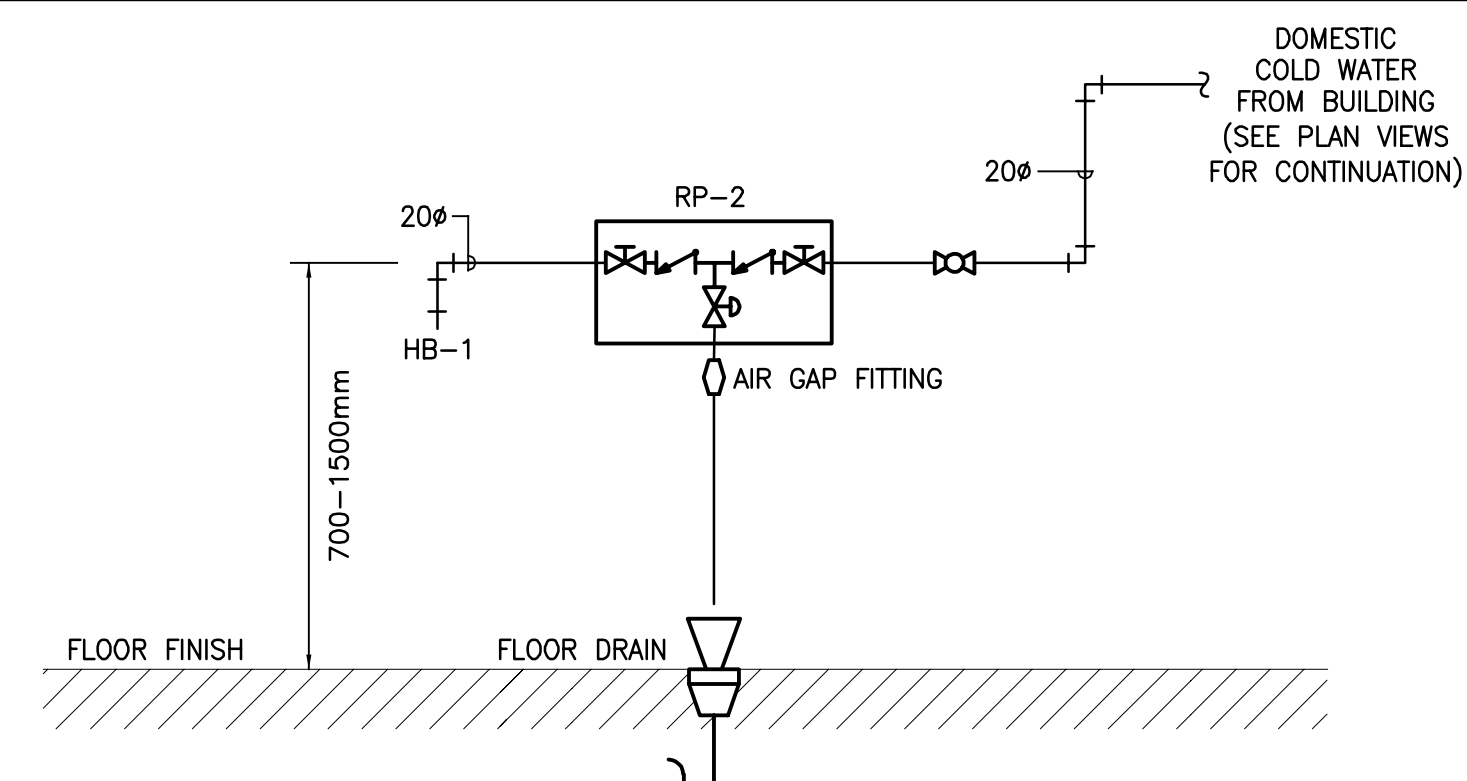
**TYPICAL WATER ENTRANCE PIPING DETAIL**  
N.T.S.



**REDUCED PRESSURE ZONE ASSEMBLY PIPING DETAIL - ZAMBONI STORAGE 115**  
N.T.S.



**PIPE THROUGH WALL DETAIL**  
N.T.S.



**REDUCED PRESSURE ZONE ASSEMBLY PIPING DETAIL - STORAGE SPACE 201**  
N.T.S.

NO.	DESCRIPTION	BY	DATE
0	ISSUED FOR TENDER	F.G.	2022-05-31
A	ISSUED FOR 50% REVIEW	S.C.	2021-06-18
N/A	REVISION:		

GENERAL NOTES:

1. THE GENERAL CONTRACTOR IS RESPONSIBLE FOR VERIFYING ALL DIMENSIONS ON SITE TO ENSURE CONFORMITY WITH THE DIMENSIONS GIVEN ON THE DRAWINGS.
2. THE GENERAL CONTRACTOR IS RESPONSIBLE TO IMMEDIATELY SUBMIT A REPORT TO THE ARCHITECT OR ENGINEER WITH ANY INACCURACIES.
3. THE GENERAL CONTRACTOR SHOULD NOT TAKE SCALED MEASUREMENTS OFF THE DRAWINGS.
4. ANY INDIVIDUAL OR FIRM THAT HAVE RECEIVED ELECTRONIC DOCUMENT USE THEM AT THEIR OWN RISK. ONLY ORIGINAL DRAWINGS, STAMPED BY THE ARCHITECT, CAN BE USED FOR CONSTRUCTION.

SEAL

PROJECT:  
KCW KNICANEWEK SPORTS  
AND RECREATION PARK -  
PHASE 2 BUILDINGS  
TOBIQUE FIRST NATION, NB

DRAWING TITLE:

**-MECHANICAL-  
PLUMBING  
DETAILS**

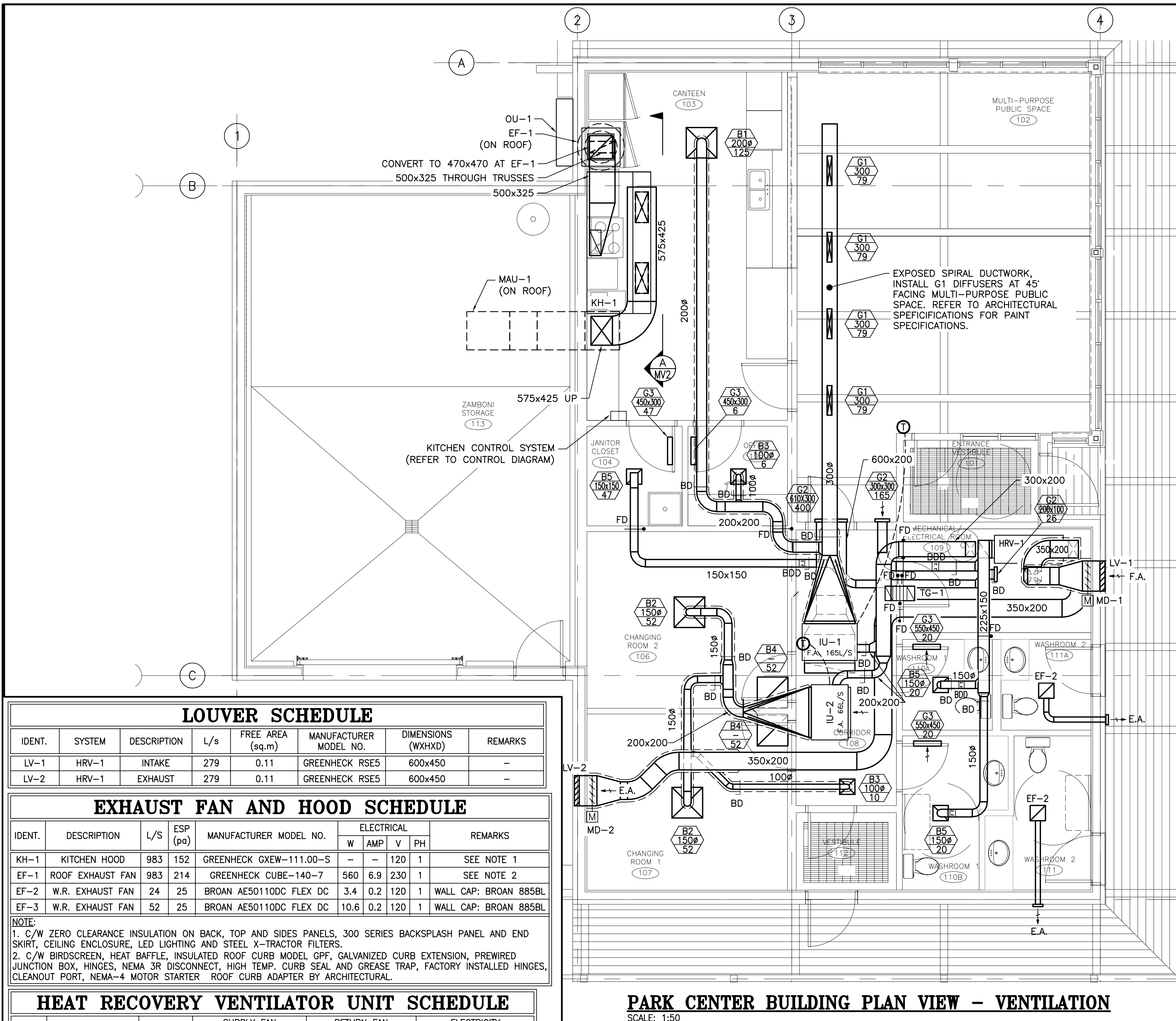
DESIGN: F. GODIN APPROVED: F. GODIN

DRAWN: S. COMEAU DATE: 2021-05-01

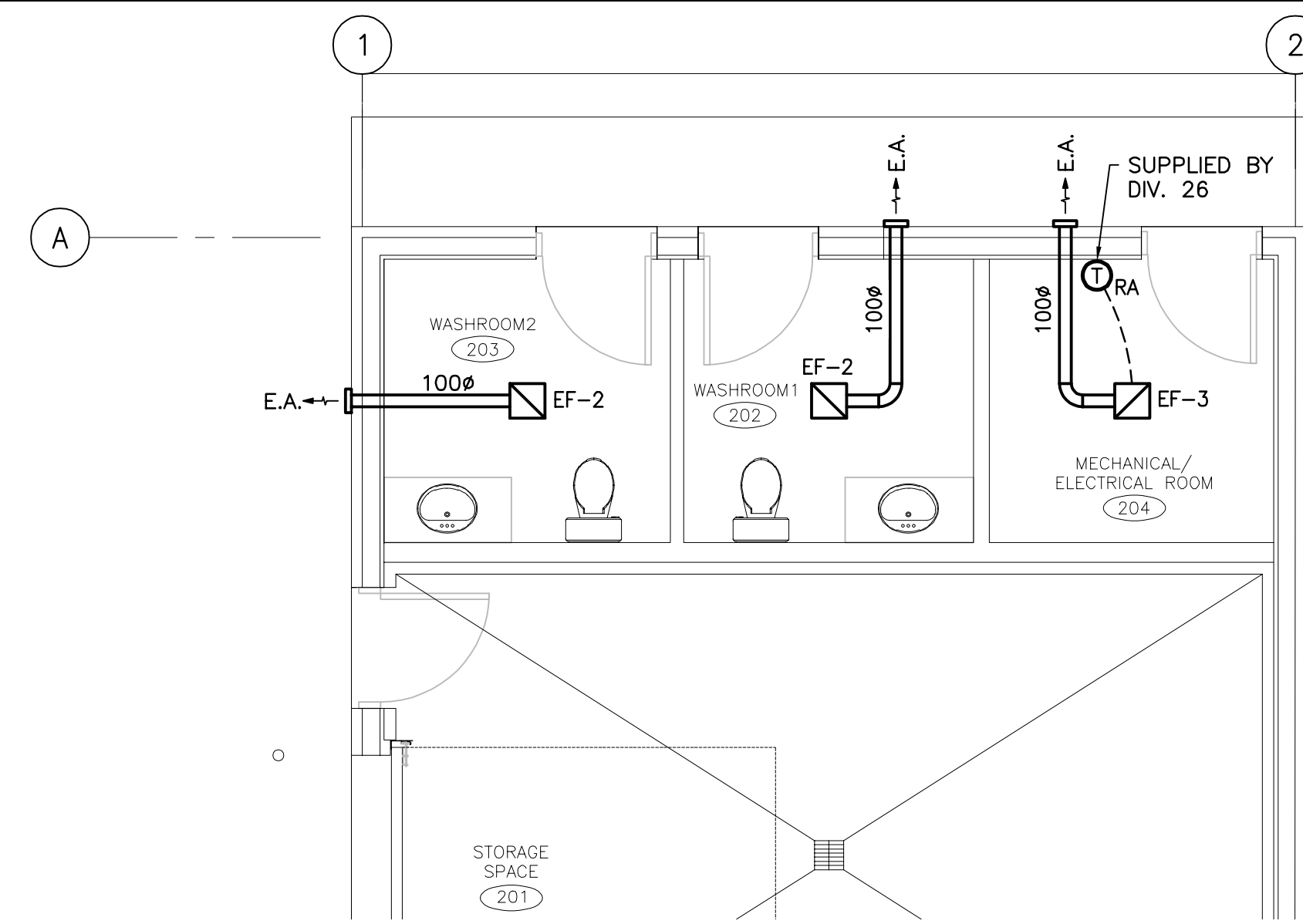
VERIFIED: F. GODIN SCALE: AS SHOWN

PROJECT NO: 9223-18-00 DRAWING NO: MP3





**PARK CENTER BUILDING PLAN VIEW - VENTILATION**  
 SCALE: 1:50



**SERVICE BUILDING PLAN VIEW - VENTILATION**  
 SCALE: 1:50

VENTILATION LEGEND	
	SUPPLY DUCTWORK
	RETURN OR EXHAUST DUCTWORK
	DUCTWORK GOING DOWN
	DUCTWORK GOING UP
	DUCT SIZE - FIRST NUMBER IS THE VISIBLE SIDE
	SUPPLY GRILLE/DIFFUSER (SEE SCHEDULE)
	EXHAUST GRILLE (SEE SCHEDULE)
	TRANSFER BOX (SEE SCHEDULE)
	FIRE DAMPER
	INSULATED DUCTWORK
	FLOW DIRECTION
	BACK DRAFT DAMPER
	CONTROL THERMOSTAT WIRING
	ROOM THERMOSTAT
	REVERSE ACTING THERMOSTAT
	MOTORIZED DAMPER
	R.A. RETURN AIR
	S.A. SUPPLY AIR
	F.A. FRESH AIR
	E.A. EXHAUST AIR

MOTORIZED DAMPER SCHEDULE							
IDENT.	SYSTEM	DESCRIPTION	L/S	MANUFACTURER MODEL NO.	DIMENSION (WXH)	ACTUATOR TYPE	REMARKS
MD-1	HRV-1	INTAKE	279	TAMCO SERIES 9000 FLANGED	650x450	BELIMO NFBUP	PARALLEL BLADE FULLY INSULATED
MD-2	HRV-1	EXHAUST	279	TAMCO SERIES 9000 FLANGED	650x450	BELIMO NFBUP	PARALLEL BLADE FULLY INSULATED

GENERAL NOTES:

- ALL WORK SHALL CONFORM TO THE NATIONAL BUILDING CODE OF CANADA EDITION 2015, NATIONAL FIRE CODE OF CANADA EDITION 2015, NATIONAL PLUMBING CODE OF CANADA EDITION 2015, NATIONAL ENERGY CODE OF CANADA FOR BUILDINGS EDITION 2011, NFPA 10, NFPA 17A, NFPA 96, NB REGULATION 2021-3, CSA B651-18 - ACCESSIBLE DESIGN FOR THE BUILT ENVIRONMENT, CSA B149.1-15 - NATURAL GAS AND PROPANE INSTALLATION CODE, CSA B149.2-15 - PROPANE STORAGE AND AND TO THE REQUIREMENTS OF THE AUTHORITY HAVING JURISDICTION.
- THE DRAWINGS ARE DIAGRAMMATIC AND INDICATE GENERAL LOCATIONS FOR MECHANICAL EQUIPMENT & PLUMBING. THIS CONTRACTOR SHALL VERIFY ALL EQUIPMENT LOCATIONS ON SITE PRIOR TO INSTALLATION AND SHALL COORDINATE THE LOCATIONS SO AS NOT TO CAUSE INTERFERENCE WITH THE WORK OF OTHER TRADES.
- CONTRACTOR IS RESPONSIBLE TO VISIT THE JOB SITE TO VERIFY ALL EXISTING CONDITIONS WHICH COULD AFFECT THE WORK. NO EXTRA COST WILL BE ALLOWED DUE TO FAILURE TO TAKE SITE CONDITIONS INTO CONSIDERATION. BE FAMILIAR WITH ALL RELATED WORK TO AVOID CONFLICTS WITH OTHER TRADES. IF THERE ARE ANY CONFLICTS REPORT TO ENGINEER.
- THIS CONTRACTOR SHALL COORDINATE ALL FLOOR, CEILING AND WALL PENETRATIONS WITH GENERAL CONTRACTOR AND/OR THE OWNER PRIOR TO CUTTING.

**LOUVER SCHEDULE**

IDENT.	SYSTEM	DESCRIPTION	L/s	FREE AREA (sq.m)	MANUFACTURER MODEL NO.	DIMENSIONS (WXHD)	REMARKS
LV-1	HRV-1	INTAKE	279	0.11	GREENHECK RSE5	600x450	-
LV-2	HRV-1	EXHAUST	279	0.11	GREENHECK RSE5	600x450	-

**EXHAUST FAN AND HOOD SCHEDULE**

IDENT.	DESCRIPTION	L/S	ESP (Pa)	MANUFACTURER MODEL NO.	ELECTRICAL				REMARKS
					W	AMP	V	PH	
KH-1	KITCHEN HOOD	983	152	GREENHECK GXEW-111.00-S	-	-	120	1	SEE NOTE 1
EF-1	ROOF EXHAUST FAN	983	214	GREENHECK CUBE-140-7	560	6.9	230	1	SEE NOTE 2
EF-2	W.R. EXHAUST FAN	24	25	BROAN AE50110DC FLEX DC	3.4	0.2	120	1	WALL CAP: BROAN 885BL
EF-3	W.R. EXHAUST FAN	52	25	BROAN AE50110DC FLEX DC	10.6	0.2	120	1	WALL CAP: BROAN 885BL

- NOTE:
- C/W ZERO CLEARANCE INSULATION ON BACK, TOP AND SIDES PANELS, 300 SERIES BACKSPASH PANEL AND END SKIRT, CEILING ENCLOSURE, LED LIGHTING AND STEEL X-TRACTOR FILTERS.
  - C/W BIRDSCREEN, HEAT Baffle, INSULATED ROOF CURB MODEL GPF, GALVANIZED CURB EXTENSION, PREWIRED JUNCTION BOX, HINGES, NEMA 3R DISCONNECT, HIGH TEMP. CURB SEAL AND GREASE TRAP, FACTORY INSTALLED HINGES, CLEANOUT PORT, NEMA-4 MOTOR STARTER ROOF CURB ADAPTER BY ARCHITECTURAL.

**HEAT RECOVERY VENTILATOR UNIT SCHEDULE**

TAG NO.	MANUFACTURER & MODEL NO.	SYSTEM	SUPPLY FAN			RETURN FAN			ELECTRICITY						
			L/S	EXT. S.P. (Pa)	RPM	MOTOR (HP)	L/S	EXT. S.P. (Pa)	RPM	MOTOR (HP)	V	PH	MCA	MOCP	FLA
HRV-1	NUAIRE NU800HRV	FRESH AIR	231	124	1075	1/2	231	124	1075	1/2	120	1	12.3	20	9.8

**DIFFUSER & GRILLE SCHEDULE**

TYPE	DESCRIPTION	SERVICE	NECK SIZE (mm)	L/S	N.C. (MAX)	THROW T50 (M)	MANUFACTURER NO.	TYPE
								NECK L/S
B1	T-BAR TYPE SQUARE CONE DIFFUSER	SUPPLY	150ø	0-83	19	1.22	E.H. PRICE 610x610/SCD/31/3C/B12	
B2	SURFACE MOUNTED SQUARE CONE DIFFUSER	SUPPLY	150ø	0-83	19	1.22	E.H. PRICE 610x610/SCD/31/3C/B12 C/W APF FRAME	
B3	T-BAR TYPE SQUARE CONE DIFFUSER	SUPPLY	100ø	0-49	20	1.52	E.H. PRICE 305x305/SCD/31/3C/B12	
B4	SURFACE MOUNTED PERFORATED DIFFUSER	RETURN	-	0-371	19	-	E.H. PRICE 610x610/PDDR/1/B12 (MAXIMUM SQUARE NECK)	
B5	SURFACE MOUNTED PERFORATED DIFFUSER	RETURN	150ø	0-93	15	-	E.H. PRICE 305x305/PDDR/1/B12 (ROUND DUCT CONNECTION)	
B6	SURFACE MOUNTED PERFORATED DIFFUSER	RETURN	-	0-118	16	-	E.H. PRICE 305x305/PDDR/1/B12 (MAXIMUM SQUARE NECK)	
G1	SPIRAL DUCT GRILLE	SUPPLY	300ø	79	-	7.6	E.H. PRICE 406x100/SDGE/A/AS/B12 C/W ADJUSTABLE AIR SCOOP	
G2	FACE WALL GRILLE	RETURN	610x300	0-400	19	-	E.H. PRICE 530D-FR/F/L/A/B12	
G3	FIRE RATED TRANSFER DOOR GRILLE	INTAKE	450x300	-	-	-	E.H. PRICE 61DGD-FR	

**MAKE-UP AIR UNIT SCHEDULE**

ITEM NO.	MANUFACTURER MODEL	SUPPLY FAN PERFORMANCE				HEATING PERFORMANCE							REMARKS				
		FLOW L/S	SP EXT. (Pa)	RPM	MOTOR SIZE (HP)	V/PH/HZ	MCA	TYPE	GAS TYPE	MIN. GAS PRESSURE (Pa)	MAX GAS PRESSURE (Pa)	CAPACITY INPUT (kW)		CAPACITY OUTPUT (kW)	TEMPERATURE RISE (°C)	EAT (°C)	LAT (°C)
MUA-1	GREENHECK DGX-P109-H12-MF	983	100	1367	1.5	230/1/60	13.1	GAS	LP	747	3447	61	56.1	28	-24	21	SEE NOTE 1 & 2

- NOTE:
- C/W REQUIRED GAS TRAIN, MEV8 FILTERS, WEATHER HOOD WITH BIRDSCREEN, AIR PROVING CONTACT SWITCH INTERLOCK, INLET DAMPER END SWITCH, INLET AIR SENSOR, MOTORIZED INLET DAMPER, 1-YR WARRANTY, GALVANIZED FINISH, NON-PWR CONVENIENCE OUTLET, DOUBLE WALL INSULATION, FACTORY PRE-WIRED KITCHEN STYLE CONTROL PANEL C/W ROOM SENSOR, AND INSULATED ROOF CURB.
  - ROOF CURB ADAPTER BY ARCHITECTURAL.

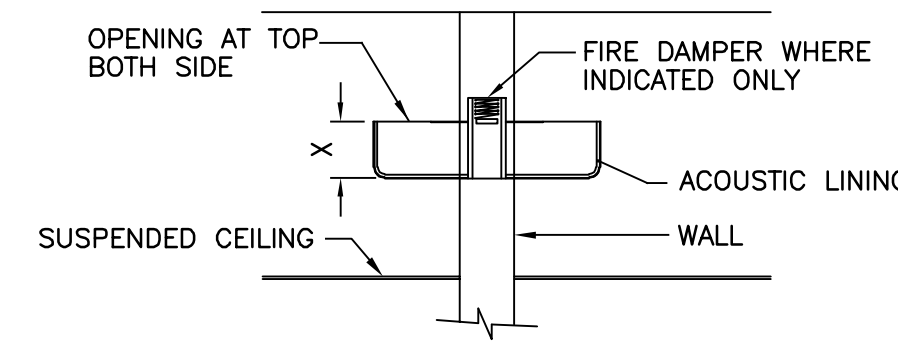
**HEAT PUMP SCHEDULE**

OUTDOOR UNIT ID	MANUFACTURER & MODEL No.	OUTDOOR CONDENSING UNIT				INDOOR EVAPORATOR UNIT				ELECTRICAL							
		HEATING kW	COP	COOLING kW	EER	HEATING CAPACITY (kW)	COOLING CAPACITY (kW)	MCA	V	PH	HZ	HEATING	COOLING	MCA	V	PH	HZ
OU-1	MITSUBISHI PEFY-48NMAU-E2	19.4	N/A	17.6	11.1/13.3	36	240	1	60	15.8	14	2.73	240	1	60		
OU-2	MITSUBISHI PEFY-12NMAU-E2			4.0	3.5	2.13	240	1	60								

- NOTES:
- THE OUTDOOR UNIT (OU) MUST BE COMPLETE WITH A 900mm HIGH METAL BASE, VIBRATION ISOLATORS BRACKETS, WIND AND SNOW PROTECTION HOODS, AND A SNOWFALL ICE FALL PROTECTION HOUSING.
  - EACH INDOOR UNIT MUST BE COMPLETE AND VIBRATION ISOLATORS BRACKETS AND OPTIONAL CONDENSATE PUMP. DRAIN TO FLOOR DRAIN LOCATED IN MECHANICAL ROOM.
  - ALL REFRIGERATION PIPING, ADDITIONAL REFRIGERATION CHARGE AND CONTROL WIRING BETWEEN OUTDOOR UNIT AND INDOOR UNITS, BY REFRIGERATION CONTRACTOR. ALL PIPING AND WIRING SHALL BE INSTALLED IN CONCEALED CEILING SPACE.
  - SUPPLY AND INSTALL WITH WIRED PROGRAMMABLE THERMOSTATS EQUIPPED WITH 2ND-STAGE HEAT OPTION, BY THE SAME MANUFACTURER AS THE HEAT-PUMP UNITS. CONNECT BASEBOARD'S RELAYS AS THERMOSTAT'S 2ND-STAGE HEAT AS SHOWN ON THE CONTROL DIAGRAMS AND ELECTRICAL DRAWINGS, COORDINATE WITH DIV. 26. REFER TO ELECTRICAL DRAWINGS FOR RELAYS LOCATION.
  - THE MANUFACTURER'S REPRESENTATIVE SHALL VISIT THE SITE AT THE SUBSTANTIAL COMPLETION OF WORK AND PROVIDE AN INSPECTION REPORT CONFIRMING THAT THE INSTALLATION COMPLIES WITH ALL INSTRUCTIONS AND RECOMMENDATIONS OF THE MANUFACTURER.
  - THE VARIABLE REFRIGERANT FLOW SYSTEM SHALL INCLUDE ALL COMPONENTS AND ACCESSORIES OF THE SAME MANUFACTURER FOR A COMPLETE AND FUNCTIONAL SYSTEM.

**TRANSFER DUCT SCHEDULE**

ITEM	X	Y	NOTES
TG-1	150	150	-



SECTION A-A

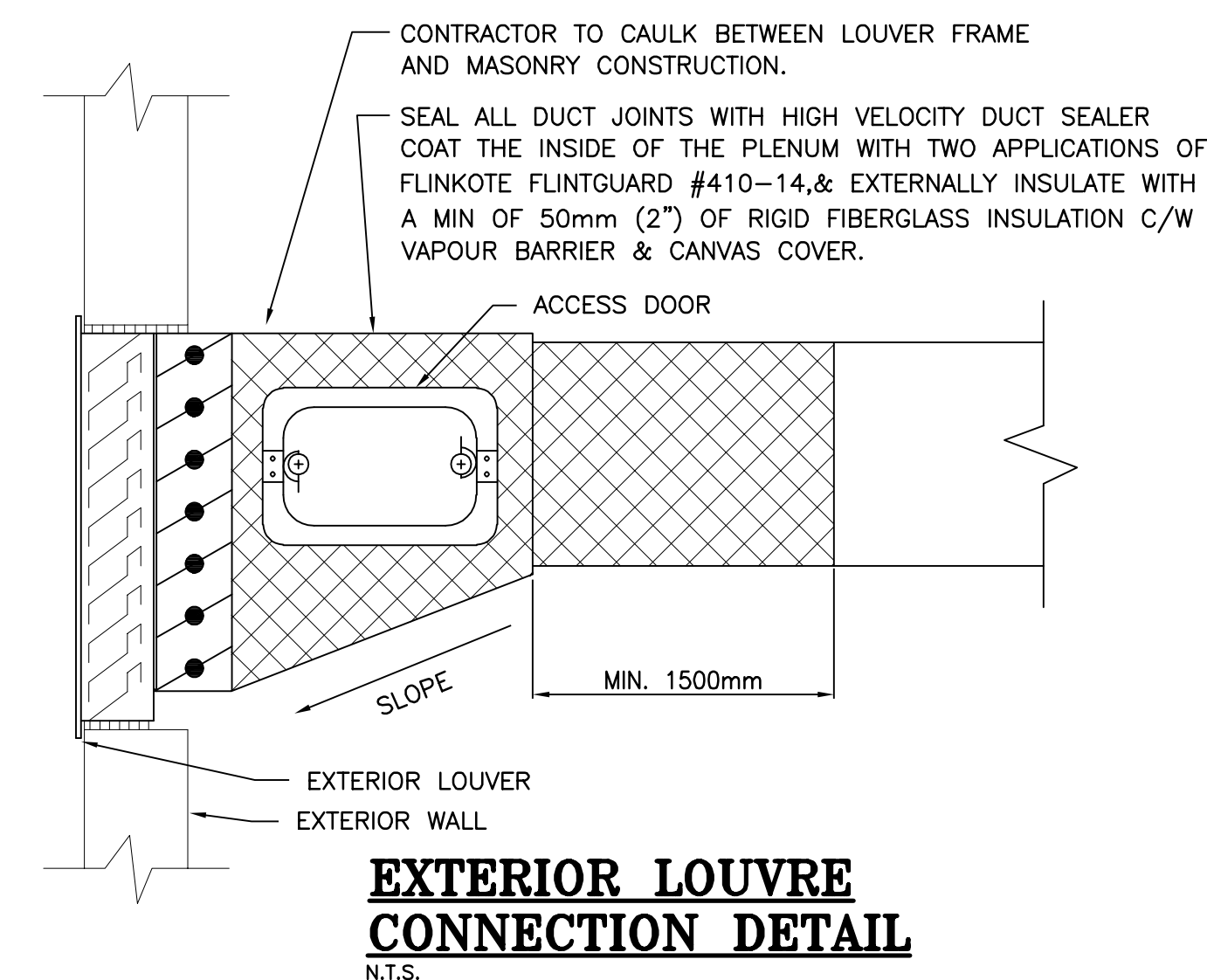
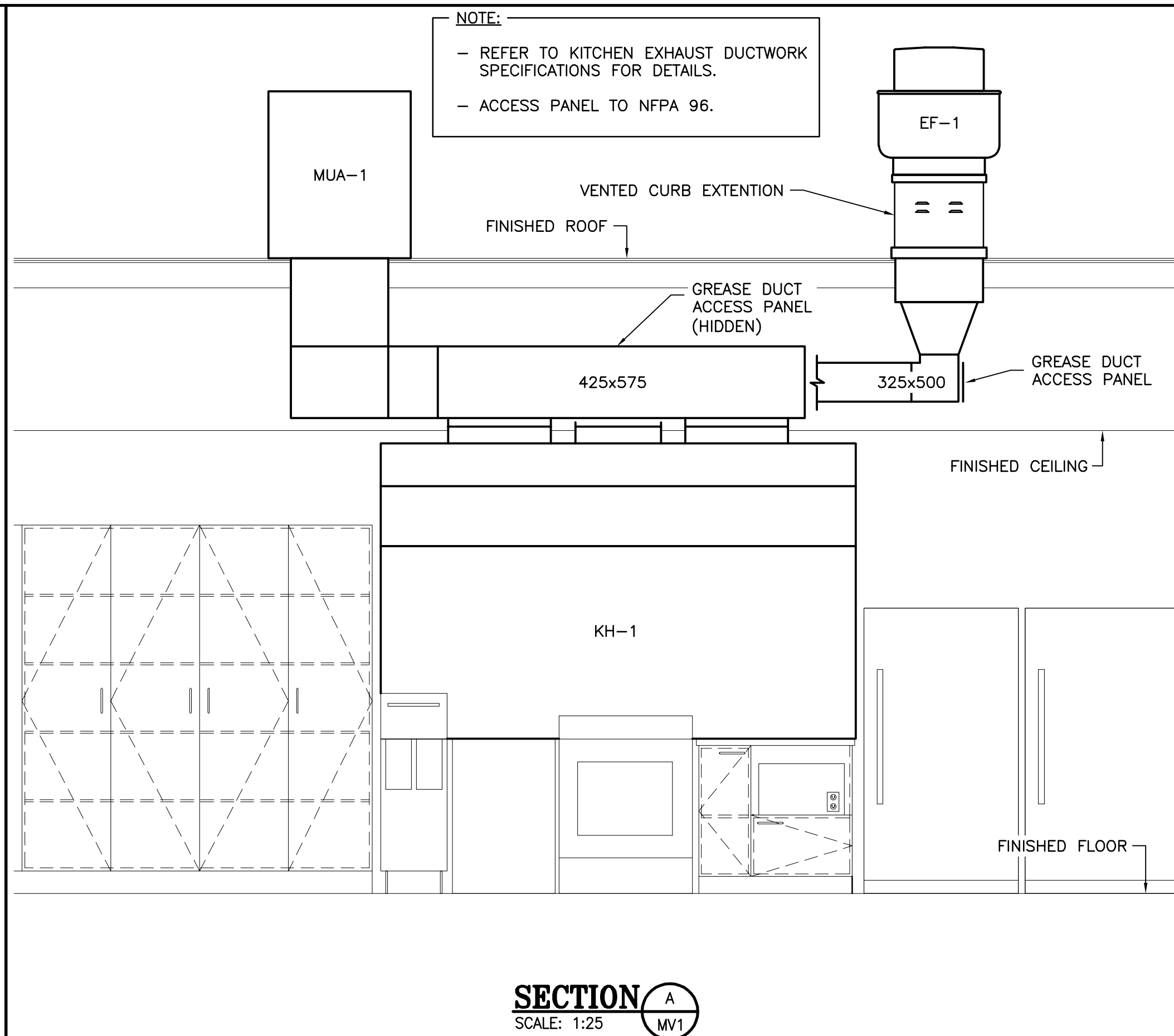
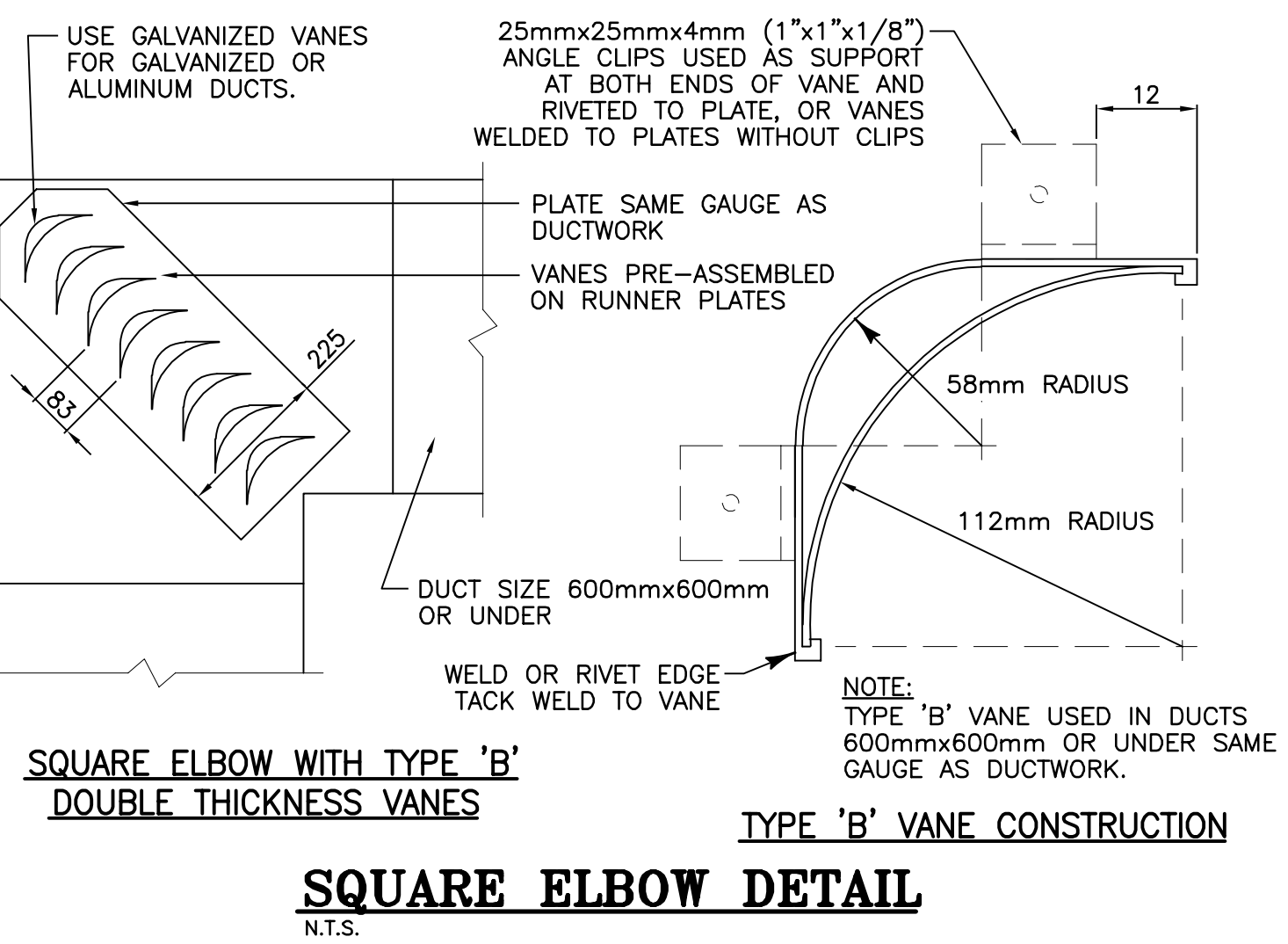
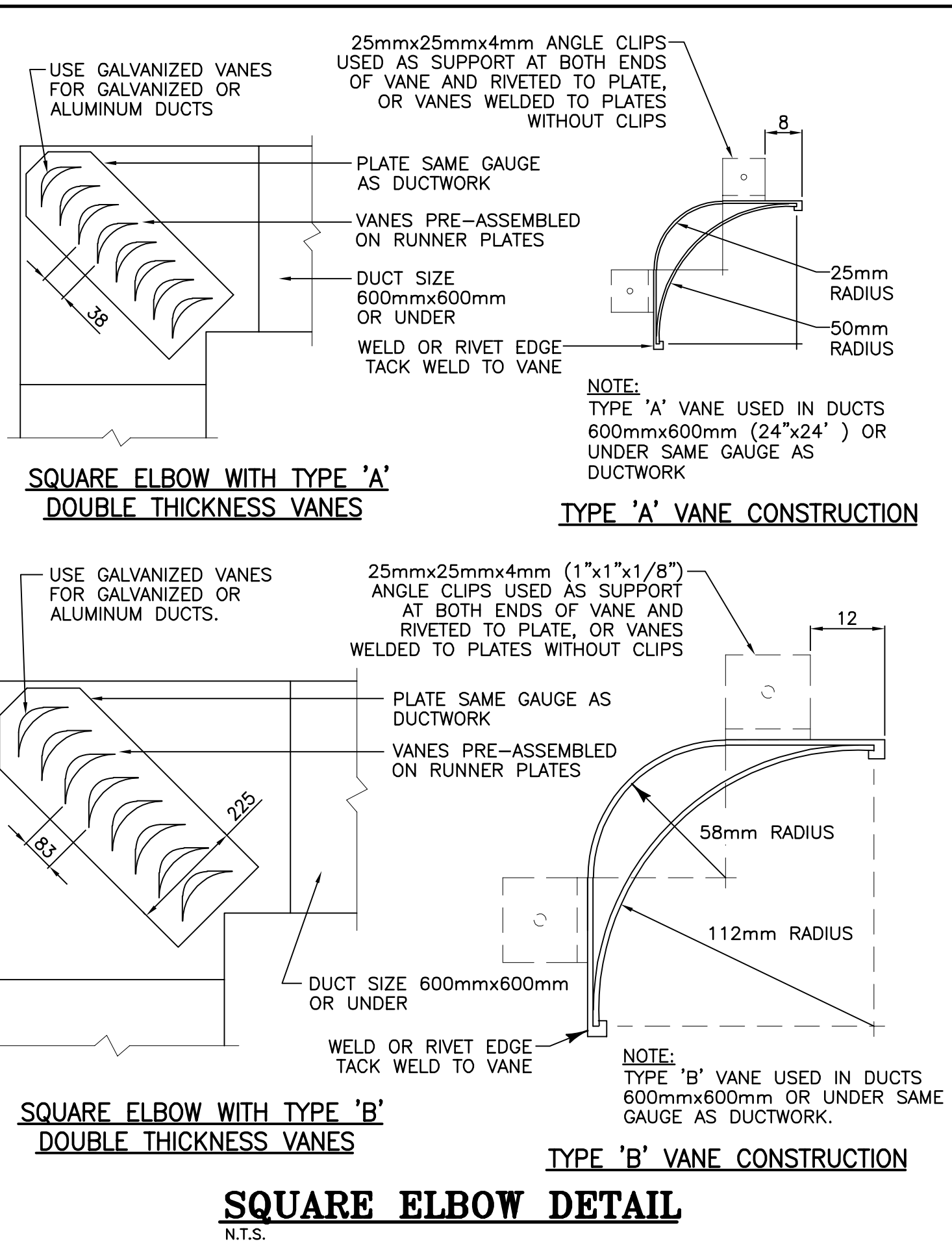
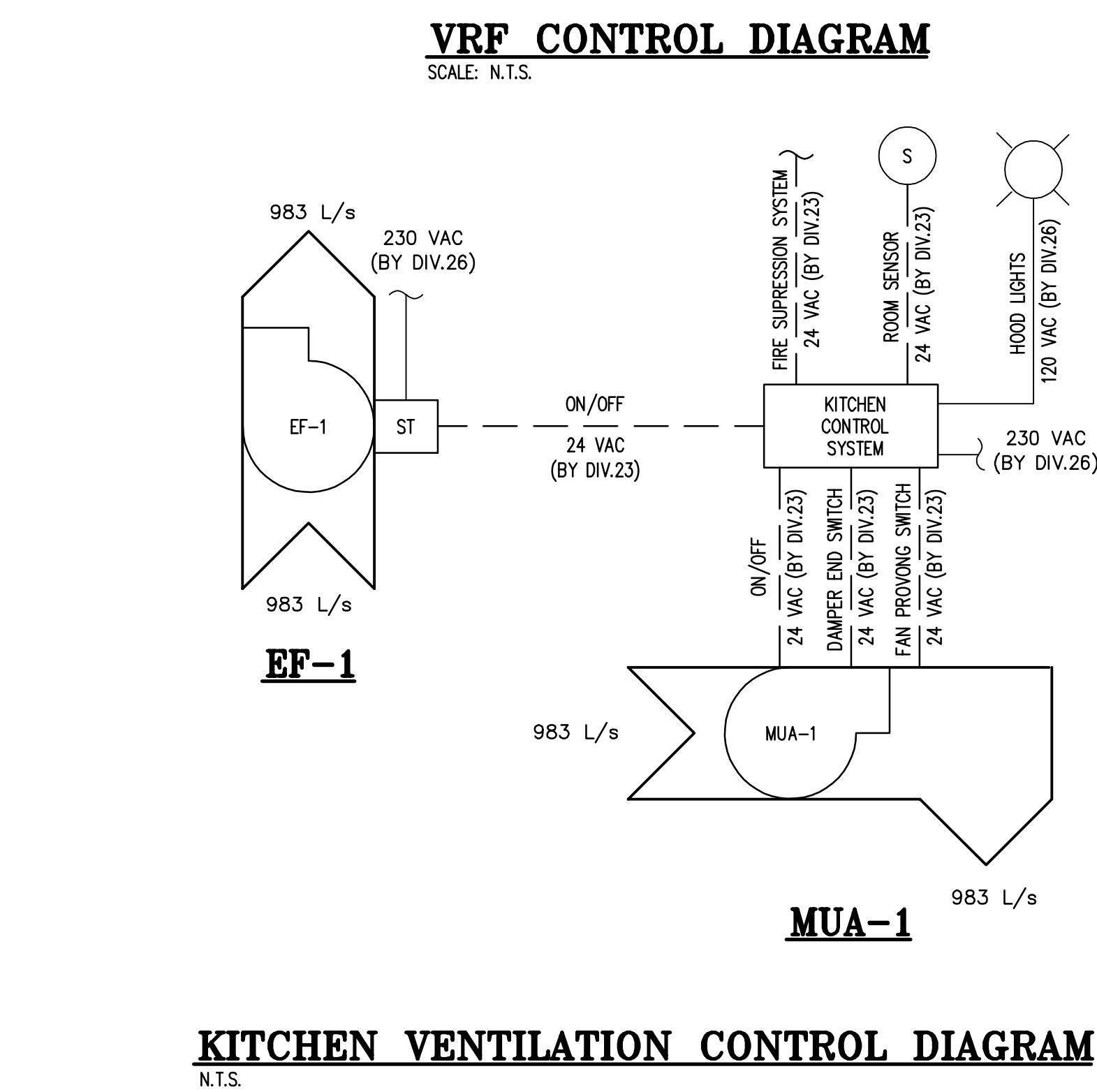
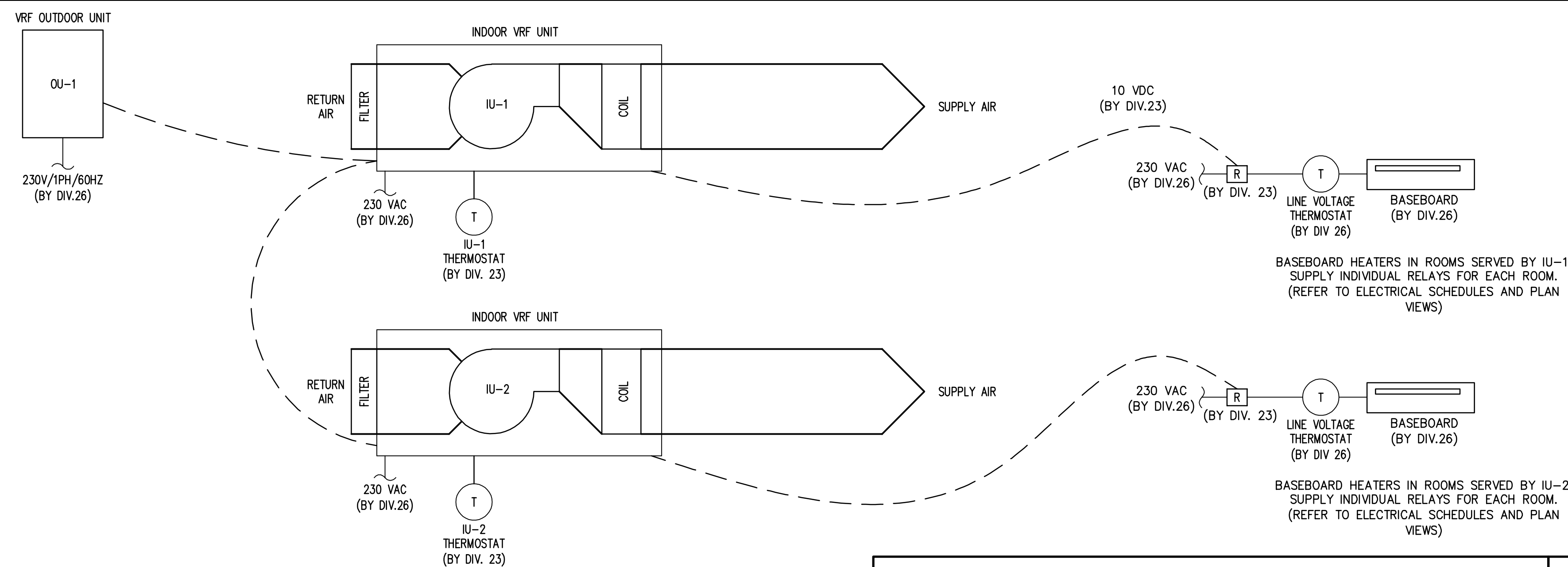
**TRANSFER DUCT TYPICAL DETAIL**  
 N.T.S.

NO.	DESCRIPTION	BY	DATE
0	ISSUED FOR TENDER	F.G.	2022-05-31
A	ISSUED FOR 50% REVIEW	S.C.	2021-06-18
M:	REVISION:		

GENERAL NOTES:

- THE GENERAL CONTRACTOR IS RESPONSIBLE FOR VERIFYING ALL DIMENSIONS ON SITE TO ENSURE CONFORMITY WITH THE DIMENSIONS GIVEN ON THE DRAWINGS.
- THE GENERAL CONTRACTOR IS RESPONSIBLE TO IMMEDIATELY SUBMIT A REPORT TO THE ARCHITECT OR ENGINEER WITH ANY INACCURACIES.
- THE GENERAL CONTRACTOR SHOULD NOT TAKE SCALE MEASUREMENTS OFF THE DRAWINGS.
- ANY INDIVIDUAL OR FIRM THAT HAS RECEIVED ELECTRONIC DOCUMENT USE THEM AT THEIR OWN RISK. ONLY ORIGINAL DRAWINGS, STAMPED BY THE ARCHITECT, CAN BE USED FOR CONSTRUCTION.





**GENERAL NOTES:**

- ALL WORK SHALL CONFORM TO THE NATIONAL BUILDING CODE OF CANADA EDITION 2015, NATIONAL FIRE CODE OF CANADA EDITION 2015, NATIONAL PLUMBING CODE OF CANADA EDITION 2015, NATIONAL ENERGY CODE OF CANADA FOR BUILDINGS EDITION 2011, NFPA 10, NFPA 17A, NFPA 96, NB REGULATION 2021-3, CSA B651-18 - ACCESSIBLE DESIGN FOR THE BUILT ENVIRONMENT, CSA B149.1-15 - NATURAL GAS AND PROPANE INSTALLATION CODE, CSA B149.2-15 - PROPANE STORAGE AND AND TO THE REQUIREMENTS OF THE AUTHORITY HAVING JURISDICTION.
- THE DRAWINGS ARE DIAGRAMMATIC AND INDICATE GENERAL LOCATIONS FOR MECHANICAL EQUIPMENT & PLUMBING. THIS CONTRACTOR SHALL VERIFY ALL EQUIPMENT LOCATIONS ON SITE PRIOR TO INSTALLATION AND SHALL COORDINATE THE LOCATIONS SO AS NOT TO CAUSE INTERFERENCE WITH THE WORK OF OTHER TRADES.
- CONTRACTOR IS RESPONSIBLE TO VISIT THE JOB SITE TO VERIFY ALL EXISTING CONDITIONS WHICH COULD AFFECT THE WORK. NO EXTRA COST WILL BE ALLOWED DUE TO FAILURE TO TAKE SITE CONDITIONS INTO CONSIDERATION. BE FAMILIAR WITH ALL RELATED WORK TO AVOID CONFLICTS WITH OTHER TRADES. IF THERE ARE ANY CONFLICTS REPORT TO ENGINEER.
- THIS CONTRACTOR SHALL COORDINATE ALL FLOOR, CEILING AND WALL PENETRATIONS WITH GENERAL CONTRACTOR AND/OR THE OWNER PRIOR TO CUTTING.

NO.	DESCRIPTION	BY	DATE
0	ISSUED FOR TENDER	F.G.	2022-05-31
A	ISSUED FOR 50% REVIEW	S.C.	2021-06-18

REVISION:

**GENERAL NOTES:**

- THE GENERAL CONTRACTOR IS RESPONSIBLE FOR VERIFYING ALL DIMENSIONS ON SITE TO ENSURE CONFORMITY WITH THE DIMENSIONS GIVEN ON THE DRAWINGS.
- THE GENERAL CONTRACTOR IS RESPONSIBLE TO IMMEDIATELY SUBMIT A REPORT TO THE ARCHITECT OR ENGINEER WITH ANY INACCURACIES.
- THE GENERAL CONTRACTOR SHOULD NOT TAKE SCALED MEASUREMENTS OFF THE DRAWINGS.
- ANY INDIVIDUAL OR FIRM THAT HAVE RECEIVED ELECTRONIC DOCUMENT USE THEM AT THEIR OWN RISK. ONLY ORIGINAL DRAWINGS, STAMPED BY THE ARCHITECT, CAN BE USED FOR CONSTRUCTION.