



316 Stainless Steel Investment Cast Submersible Pumps

Designed for efficient and reliable service life
Provides maximum corrosion and wear resistance

- Flows from 300 to 5,200 GPM
- Heads to 1400 FT
- Horsepowers: 10 to 500 HP
- 6" - 12" motor brackets, 2 and 4 pole
- Temperatures to 150° F (70° C)

EX Series
8" – 16" Models



More 300 Series Stainless Steel Impeller Models are Available and Ready to Ship



National Pump is adding more 316 Stainless Steel Impeller models to the product line. Many are in stock and ready for immediate shipment. The flow range is available from 200 to 4000 gpm at 1800 rpm. To easily determine which impeller is right for your next project, refer to 300SS.IMP_MATL pump type found within the PumpFLO selector on www.nationalpumpcompany.com.

MODEL	MATERIAL
M6HC	304SS
M8MC	316SS
K10LC	316SS
K10HC	316SS
J11LC	316SS
J11MC	304SS
J11HC	304SS
K12HC	304SS
M14MC	316SS
M14HC	316SS
M14XHC	316SS
M14XXHC	316SS
H14LC	316SS
H14MC	316SS

M6 through K12 models are available for immediate shipment. Please consult factory for availability on M14 and H14 models.

TABLE OF CONTENTS

PRO SERIES

PRO SERIES/MAX PURITY INTRO.....	Page 3
BF-05	Page 4
BF-07	Page 6
BF-10	Page 8
BF-15	Page 10
BF-20	Page 12
BF-30	Page 14
BF-35	Page 16
BF-55	Page 18
BF-95	Page 20

MAX PURITY

SP-05.....	Page 22
SP-10.....	Page 24
SP-18.....	Page 26
SP-25.....	Page 28
SP-40.....	Page 30
SP-70.....	Page 32

NS 6" & 8" SERIES

QUALITY FEATURES.....	Page 35
COMPONENT PARTS	Page 36
NS 80	Page 37
NS 110.....	Page 38
NS 160.....	Page 39
NS 200.....	Page 40
NS 240.....	Page 41
NS 320.....	Page 42
NS 400.....	Page 43
NS 500.....	Page 44

JET PUMPS

SW SERIES (SHALLOW WELL).....	Page 46
SF SERIES (DEEP WELL).....	Page 47
SFH SERIES (CONVERTIBLE)	Page 48
MSH SERIES (CONVERTIBLE MULTI-STAGE)...	Page 50
MSV SERIES (VERTICAL MULTI-STAGE).....	Page 52
SF50SNH SERIES (BOOSTER).....	Page 54

CENTRIFUGALS (MULTI-STAGE)

MSC SERIES.....	Page 55
-----------------	---------

BOOSTER PUMPS

BF SERIES.....	Page 56
----------------	---------

LAWN SPRINKLER (SELF-PRIMING)

SFLP SERIES	Page 57
-------------------	---------

CENTRIFUGALS (SELF-PRIMING)

BMLS SERIES	Page 58
-------------------	---------

CENTRIFUGALS (END SUCTION)

EC SERIES	Page 60
-----------------	---------

PRO SERIES & MAX PURITY 2 GREAT CHOICES!

PRO Series

MAX Purity

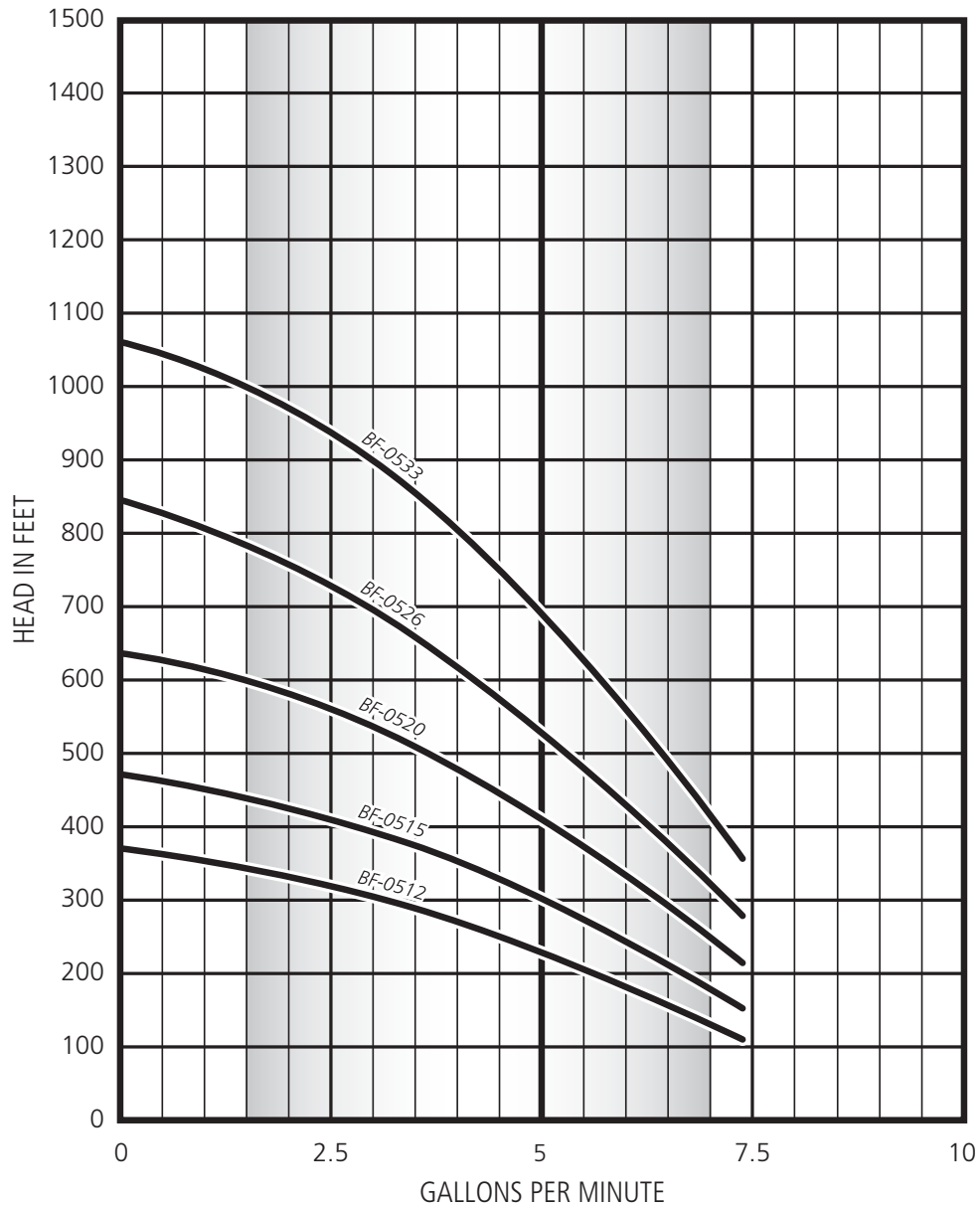


- ▶ Capacity: 5 to 120 GPM
- ▶ Heads: Up to 1200 Feet
- ▶ 3450 RPM – 60 HZ
- ▶ Discharge Sizes:
 - BF-05 to BF-20 1-¼"
 - BF-30 1-½"
 - BF-35 to BF-95 2"



- ▶ Capacity: 5 to 70 GPM
- ▶ Heads: Up to 1,000 Feet
- ▶ 3600 RPM – 60 HZ
- ▶ Discharge Sizes:
 - SP-05 to SP-18 1-¼"
 - SP-25 1-½"
 - SP-40 to SP-70 2"

5 GPM | 1/2 - 2 HP | 3450 RPM – 60HZ



SPECIFICATIONS

MODEL	HP	STAGES	PHASE	NO. OF WIRES	LENGTH INCH		WEIGHT LBS		DISCH SIZE
					PUMP	MOTOR	PUMP	MOTOR	
BF-0512	1/2	12	1	2 W	14.1	9.5	7.9	18	1-1/4"
				3 W				19	
BF-0515	3/4	15	1	2 W / 3 W	16.2	10.6	9	21	
BF-0520	1	20	1	2 W / 3 W	19.6	11.7	10.8	24	
BF-0526	1-1/2	26	1	2 W	25.3	15.1	12.8	31	
				3 W		13.6		28	
BF-0533	2	33	1	3 W	29.8	15.1	16	31	
			3			13.6		28	

5 GPM | 1/2 - 2 HP | 3450 RPM – 60HZ

CAPACITY IN U.S. GALLONS PER MINUTE

PUMP MODEL	HP	PSI	DEPTH TO PUMPING WATER LEVEL OR LIFT IN FEET																							
			20	40	60	80	100	120	140	160	180	200	220	240	260	280	300	340	380	420	460	500	540	580	620	660
BF-0512	1/2	0					7.0	6.8	6.5	6.2	5.9	5.5	5.0	4.6	4.1	3.0										
		20			7.0	6.8	6.5	6.1	5.7	5.3	4.9	4.5	4.0	3.4	2.8	0.9										
		30	7.3	7.0	6.7	6.4	6.0	5.6	5.2	4.8	4.4	3.9	3.3	2.7	1.8											
		40	7.0	6.7	6.3	6.0	5.6	5.2	4.8	4.3	3.8	3.2	2.6	1.8												
		50	6.6	6.3	5.9	5.6	5.1	4.7	4.2	3.7	3.1	2.5	1.6													
		60	6.1	5.8	5.4	5.0	4.6	4.2	3.6	3.0	2.2	0.8														
Shut-off PSI		156	147	139	130	121	113	104	95	87	78	69	61	52	43											

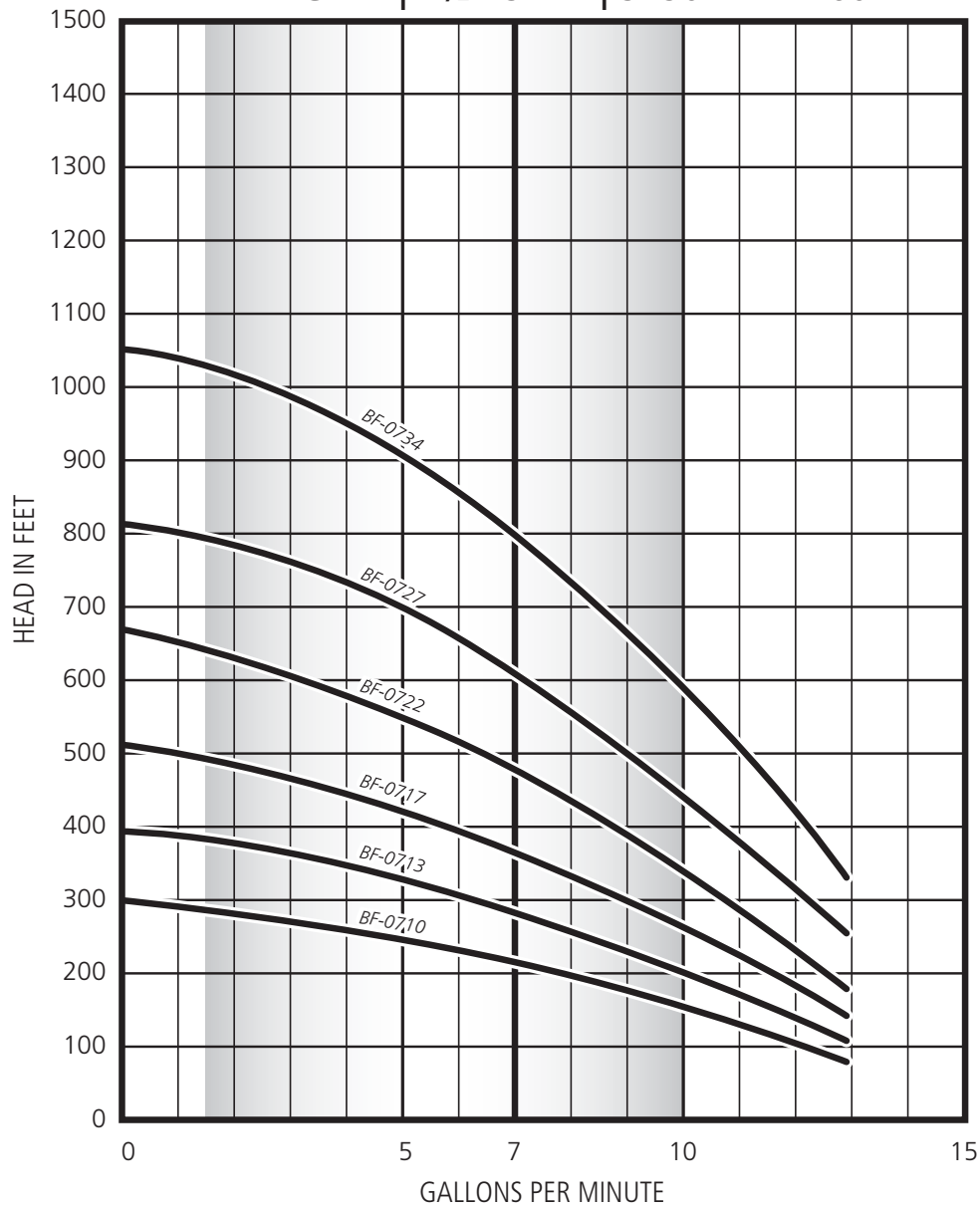
BF-0515	3/4	0							7.0	6.8	6.6	6.3	6.1	5.9	5.6	5.3	5.0	4.3	3.6	2.6	1.3				
		20					7.0	6.8	6.6	6.3	6.1	5.9	5.6	5.3	5.0	4.3	3.6	2.6	1.3						
		30			7.1	6.9	6.7	6.5	6.3	6.0	5.8	5.5	5.2	4.9	4.6	3.9	3.0	1.7							
		40		7.1	6.9	6.7	6.5	6.3	6.0	5.8	5.5	5.2	4.9	4.6	4.2	3.4	2.4	1.1							
		50	7.1	6.9	6.7	6.4	6.2	6.0	5.7	5.5	5.2	4.8	4.5	4.2	3.8	2.9	1.7								
		60	6.6	6.4	6.3	6.0	5.8	5.6	5.3	5.0	4.7	4.4	4.0	3.6	3.2	2.1	0.7								
Shut-off PSI		197	186	177	169	160	152	143	134	126	117	108	100	91	82	74	56	39	22	4					

BF-0520	1	0									7.2	7.1	6.9	6.7	6.5	6.2	5.7	5.3	4.8	4.2	3.5	2.7	1.7	
		20								7.0	6.9	6.7	6.5	6.3	6.1	5.6	5.2	4.7	4.1	3.4	2.6	1.6		
		30								7.0	6.8	6.7	6.5	6.2	6.0	5.8	5.4	4.9	4.3	3.7	2.9	2.0		
		40						7.0	6.8	6.6	6.4	6.2	6.0	5.8	5.6	5.1	4.6	4.0	3.3	2.5	1.4			
		50					7.1	7.0	6.8	6.6	6.4	6.2	6.0	5.8	5.6	5.3	4.8	4.2	3.6	2.8	1.8			
		60			7.1	7.0	6.8	6.6	6.5	6.3	6.1	6.0	5.8	5.6	5.3	5.1	4.6	4.0	3.2	2.3	0.8			
Shut-off PSI				248	240	230	233	214	206	197	188	180	171	162	154	145	127	110	93	76	58	41	24	

PUMP MODEL	HP	PSI	DEPTH TO PUMPING WATER LEVEL OR LIFT IN FEET																							
			100	120	140	160	180	200	220	240	260	280	300	340	380	420	460	500	540	580	620	660	700	740	780	820
BF-0526	1-1/2	0									7.0	6.8	6.7	6.4	6.2	6.0	5.7	5.4	5.0	4.6	4.2	3.8	3.3	2.8	2.1	1.2
		20							6.9	6.8	6.6	6.5	6.4	6.2	5.9	5.6	5.3	4.9	4.6	4.2	3.7	3.2	2.7	2.0		
		30						6.9	6.7	6.6	6.5	6.4	6.3	6.0	5.8	5.5	5.1	4.7	4.3	3.9	3.5	2.9	2.3	1.5		
		40				7.0	6.9	6.7	6.6	6.5	6.4	6.3	6.2	5.9	5.6	5.3	4.9	4.5	4.1	3.7	3.2	2.6	1.9	0.9		
		50			7.0	6.8	6.7	6.6	6.5	6.4	6.3	6.1	6.0	5.7	5.4	5.0	4.7	4.3	3.8	3.4	2.9	2.2	1.3			
		60		6.8	6.7	6.6	6.5	6.3	6.2	6.1	6.0	5.8	5.5	5.2	4.8	4.4	4.0	4.0	3.6	3.1	2.5	1.7	0.7			
Shut-off PSI			314	305	297	288	279	271	262	253	245	236	219	201	184	167	149	132	115	97	80	63	45	28	11	

PUMP MODEL	HP	PSI	DEPTH TO PUMPING WATER LEVEL OR LIFT IN FEET																							
			200	220	240	260	280	300	340	380	420	460	500	540	580	620	660	700	740	780	820	860	900	940	980	1020
BF-0533	2	0										7.0	6.7	6.4	6.1	5.8	5.5	5.1	4.8	4.3	4.0	3.5	3.0	2.5	1.9	1.3
		20									6.9	6.6	6.4	6.1	5.7	5.4	5.1	4.7	4.3	3.9	3.4	3.0	2.4	1.8	1.1	
		30									7.0	6.8	6.5	6.2	5.9	5.5	5.2	4.9	4.5	4.1	3.6	3.2	2.7	2.1	1.5	0.6
		40									6.9	6.6	6.3	6.0	5.7	5.4	5.0	4.6	4.2	3.9	3.4	2.9	2.4	1.7	1.0	
		50							7.0	6.7	6.4	6.1	5.8	5.5	4.8	5.2	4.4	4.0	3.6	3.1	2.6	2.0	1.3			
		60							6.8	6.6	6.3	6.0	5.6	5.3	4.9	4.6	4.2	3.8	3.3	2.8	2.3	1.6	0.9			
Shut-off PSI							310	292	275	258	240	223	206	188	171	154	136	119	102	84	67	50	32	15		

7 GPM | 1/2 - 3 HP | 3450 RPM - 60HZ



SPECIFICATIONS

MODEL	HP	STAGES	PHASE	NO. OF WIRES	LENGTH INCH		WEIGHT LBS		DISCH SIZE
					PUMP	MOTOR	PUMP	MOTOR	
BF-0710	1/2	10	1	2 W	13.4	9.5	7.2	18	1-1/4"
				3 W				19	
BF-0713	3/4	13	1	2 W / 3 W	15.6	10.6	9.1	21	
BF-0717	1	17	1	2 W / 3 W	18.4	11.7	10.2	24	
BF-0722	1-1/2	22	1	2 W	22	15.1	12.3	31	
				3 W		13.6		28	
BF-0727	2	27	1	3 W	26.5	15.1	15.2	33	
			3			13.6		28	
BF-0734	3	34	1	3 W	31.7	22.2	18.1	55	
			3			19.2		43	

7 GPM | 1/2 - 3 HP | 3450 RPM – 60HZ

CAPACITY IN U.S. GALLONS PER MINUTE

PUMP MODEL	HP	PSI	DEPTH TO PUMPING WATER LEVEL OR LIFT IN FEET																								
			20	40	60	80	100	120	140	160	180	200	220	240	260	280	300	340	380	420	460	500	540	580	620	660	
BF-0710	1/2	0								9.5	8.9	8.2	7.5	6.7	5.6	4.2	2.5										
		20					9.4	8.7	8.0	7.2	6.3	5.4	3.8	1.7													
		30				9.2	8.6	7.9	7.0	6.1	5.1	3.7	1.2														
		40		9.7	9.1	8.5	7.8	7.0	5.8	4.8	3.6	1.2															
		50	9.7	9	8.3	7.7	6.8	5.7	4.5	3.0																	
		60	8.9	8.2	7.5	6.7	5.6	4.2	2.5																		
Shut-off PSI		121	113	104	95	87	78	69	61	52	43	35	26	17	9												

BF-0713	3/4	0									9.5	9.1	8.5	8.1	7.6	7.1	5.5	3.5									
		20								9.4	9.0	8.5	8.0	7.5	7.0	6.2	5.4	2.7									
		30							9.3	9.0	8.4	7.9	7.4	6.7	6.0	5.2	4.2										
		40					9.8	9.2	8.8	8.4	7.9	7.4	6.6	5.9	5.1	4.2	2.4										
		50				9.7	9.1	8.7	8.2	7.7	7.3	6.5	5.7	4.9	3.7	2.2											
		60			9.5	9.1	8.5	8.1	7.6	7.1	6.4	5.5	4.7	3.5	1.2												
Shut-off PSI				148	140	131	123	114	105	97	88	79	71	62	53	45	27	10									

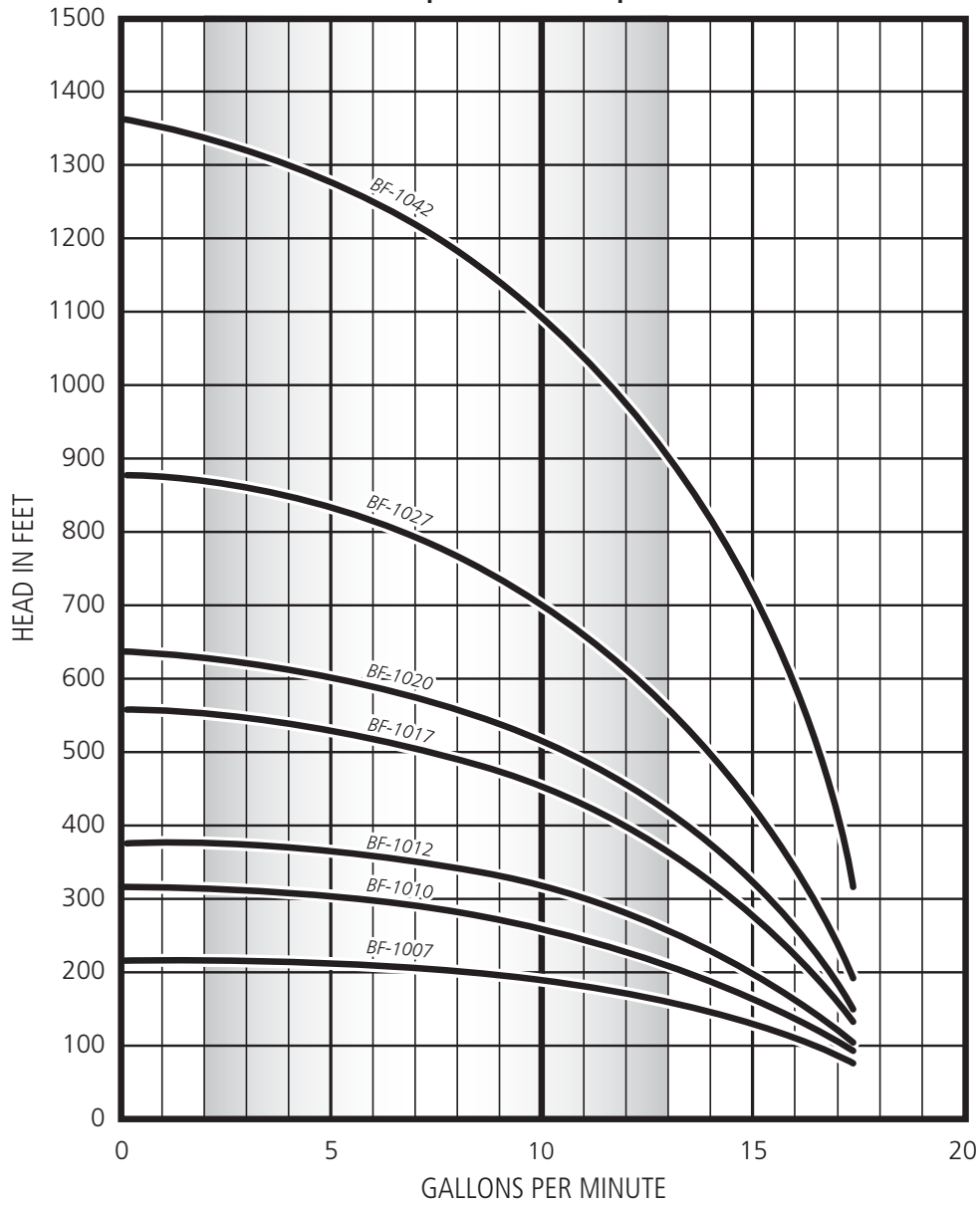
BF-0717	1	0										9.4	9.1	8.8	7.9	7.1	6.2	4.9	3.2							
		20									9.4	9.0	8.6	8.2	7.8	7.0	6.0	4.7	2.7							
		30								9.7	9.3	8.9	8.5	8.1	7.8	7.4	6.4	5.3	3.7							
		40						9.6	9.2	8.9	8.4	8.1	7.7	7.4	6.9	5.8	4.5	2.2								
		50					9.5	9.1	8.8	8.4	8.0	7.5	7.2	6.8	5.9	5.1	3.6									
		60				9.4	9.1	8.8	8.3	2.9	7.5	7.1	6.9	6.2	5.5	4.1	1.7									
Shut-off PSI						177	168	159	151	142	133	125	116	107	99	81	64	47	29	12						

PUMP MODEL	HP	PSI	DEPTH TO PUMPING WATER LEVEL OR LIFT IN FEET																								
			200	220	240	260	280	300	340	380	420	460	500	540	580	620	660	700	740	780	820	860	900	940	980	1020	
BF-0722	1-1/2	0							9.5	9.0	8.4	7.7	7.0	6.1	5.1	3.8	0.5										
		20					9.8	9.5	8.9	8.2	7.6	6.9	6.1	5.0	3.5	1.2											
		30				9.7	9.5	9.2	8.5	7.9	7.1	6.4	5.4	4.2	2.5												
		40			9.7	9.4	9.2	8.8	8.1	7.5	6.7	5.9	4.9	3.1													
		50		9.6	9.3	9.1	8.7	8.4	7.7	7.1	6.2	5.3	3.9	2.0													
		60	9.5	9.3	9.0	8.7	8.4	8.0	7.3	6.6	5.7	4.6	2.8														
Shut-off PSI		206	198	185	176	168	159	142	124	107	90	72	55	38	20	4											

BF-0727	2	0				12.6	12.2	11.7	11.0	10.1	9.5	9.0	8.3	7.6	6.6	5.9	5.0	3.5	1.9							
		20				11.8	11.5	10.9	10.3	9.6	8.8	8.2	7.6	6.6	5.7	5.0	3.7	2.0								
		30				11.5	11.3	10.4	9.8	9.2	8.5	7.7	7.0	6.1	5.3	4.0	3.0									
		40			11.4	11.2	10.8	10.2	9.6	8.9	8.2	7.4	6.6	5.6	4.6	3.3										
		50		11.4	11.1	10.6	10.2	9.6	9.0	8.4	7.8	6.9	6.1	5.0	4.0											
		60	11.3	11.2	10.6	10.3	10.0	9.3	8.6	7.9	7.2	6.4	5.6	4.5	3.3											
Shut-off PSI			255	268	251	234	216	199	182	165	147	130	113	95	80	61	48	30	13							

PUMP MODEL	HP	PSI	DEPTH TO PUMPING WATER LEVEL OR LIFT IN FEET																								
			260	280	300	340	380	420	460	500	540	580	620	660	700	740	780	820	860	900	940	980	1020	1060	1100	1140	
BF-0734	3	0							9.5	9.2	8.9	8.4	8.0	7.6	7.1	6.5	5.9	5.1	4.2	3.6	2.7	1.7					
		20						9.5	9.1	8.9	8.4	8.0	7.5	6.9	6.4	5.9	5.0	4.2	3.4	3.0	1.4						
		30					9.7	9.3	8.9	8.5	8.2	7.7	7.2	6.6	6.0	5.4	4.5	3.8	2.9	2.0							
		40				9.7	9.4	9.1	8.7	8.3	7.9	7.4	6.9	6.3	5.6	4.9	4.1	3.3	2.4	1.4							
		50				9.6	9.2	8.9	8.4	8.1	7.6	7.1	6.5	6.0	5.2	4.5	3.6	2.8	1.9								
		60			9.7	9.4	9.0	8.7	8.3	7.8	7.3	6.7	6.2	5.5	4.8	3.9	3.1	2.2	1.2								
Shut-off PSI				320	303	286	268	251	234	216	199	182	165	147	130	113	95	78	61	43	27						

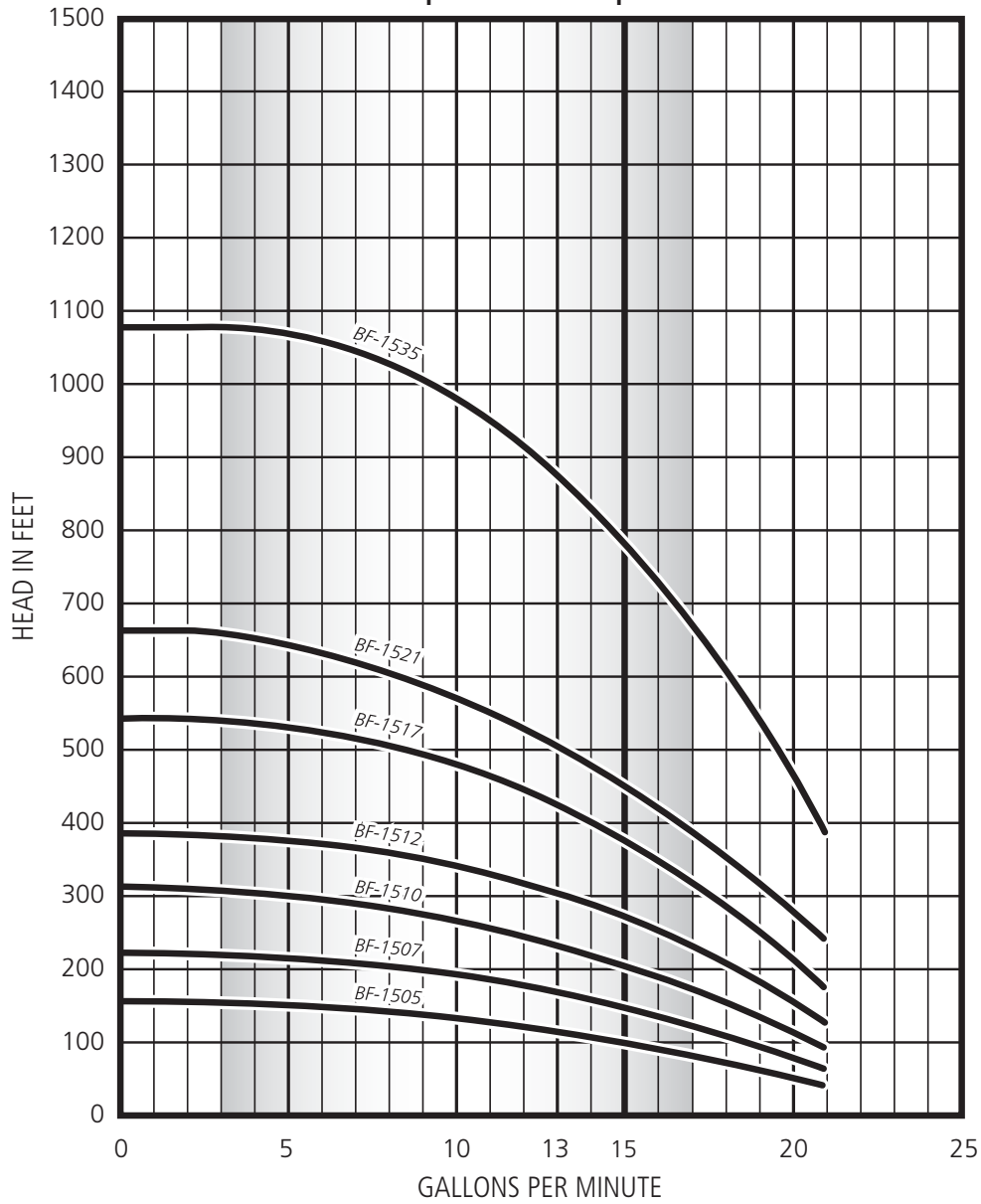
10 GPM | 1/2 - 5 HP | 3450 RPM - 60HZ



SPECIFICATIONS

MODEL	HP	STAGES	PHASE	NO. OF WIRES	LENGTH INCH		WEIGHT LBS		DISCH SIZE
					PUMP	MOTOR	PUMP	MOTOR	
BF-1007	1/2	7	1	2 W	10.7	9.5	6.2	18	1-1/4"
				3 W				19	
BF-1010	3/4	10	1	2 W / 3 W	12.8	10.6	7.3	21	
BF-1012	1	12	1	2 W / 3 W	14.1	11.7	7.9	24	
BF-1017	1-1/2	17	1	2 W	17.6	15.1	9.7	31	
				3 W		13.6		28	
BF-1020	2	20	1	3 W	19.6	15.1	10.8	33	
			3			13.6		28	
BF-1027	3	27	1	3 W	26	22.2	13.2	55	
			3			19.2		43	
BF-1042	5	42	1	3 W	36	28.2	19.4	70	
			3			22.2		55	

15 GPM | 1/2 - 5 HP | 3450 RPM - 60HZ



SPECIFICATIONS

MODEL	HP	STAGES	PHASE	NO. OF WIRES	LENGTH INCH		WEIGHT LBS		DISCH SIZE
					PUMP	MOTOR	PUMP	MOTOR	
BF-1505	1/2	5	1	2 W	9.3	9.5	5.5	18	1-1/4"
				3 W				19	
BF-1507	3/4	7	1	2 W / 3 W	10.7	10.6	6.2	21	
BF-1510	1	10	1	2 W / 3 W	12.8	11.7	7	24	
BF-1512	1-1/2	12	1	2 W	14.1	15.1	7.7	31	
				3 W				28	
BF-1517	2	17	1	3 W	17.6	15.1	9.5	33	
			3					28	
BF-1521	3	21	1	3 W	20.4	22.2	11	55	
			3					43	
BF-1535	5	35	1	3 W	31.6	28.2	16.7	70	
			3					55	

15 GPM | 1/2 - 5 HP | 3450 RPM – 60HZ

CAPACITY IN U.S. GALLONS PER MINUTE

PUMP MODEL	HP	PSI	DEPTH TO PUMPING WATER LEVEL OR LIFT IN FEET																					
			20	40	60	80	100	120	140	160	180	200												
BF-1505	1/2	0			17.0	15.5	13.3	10.5	6.2															
		20	16.8	14.5	12.5	10.0	6.0																	
		30	14.0	11.4	9.0	2.1																		
		40	11.3	8.6	2.0																			
		50	7.8																					
		60																						
Shut-off PSI			60	52	43	35	26	17	9															

PUMP MODEL	HP	PSI	DEPTH TO PUMPING WATER LEVEL OR LIFT IN FEET																					
			20	40	60	80	100	120	140	160	180	200												
BF-1507	3/4	0				17.7	16.5	15.0	13.0	11.2	9.5	6.5												
		20		17.4	16.0	14.4	12.8	10.9	8.5	4.0														
		30	16.9	15.5	14.0	12.6	10.5	8.0	3.0															
		40	15.4	13.9	12.4	10.4	7.7	2.0																
		50	13.4	11.8	10.0	7.5																		
		60	11.2	9.5	6.5																			
Shut-off PSI			86	78	69	61	52	43	35	26	17	8												

PUMP MODEL	HP	PSI	DEPTH TO PUMPING WATER LEVEL OR LIFT IN FEET																											
			20	40	60	80	100	120	140	160	180	200	220	240	260	280	300	340	380	420	460	500	540	580	620	660				
BF-1510	1	0						17.6	16.4	15.6	14.6	13.4	12.1	10.8	9.4	7.5	4.0													
		20			18.0	17.4	16.5	15.2	14.3	13.0	11.8	10.5	9.0	6.5	2.0															
		30		18.0	17.2	16.2	15.1	13.8	12.7	11.6	10.2	8.5	5.5																	
		40	17.9	17.0	16.0	15.0	13.7	12.6	11.5	10.0	8.1	5.3																		
		50	16.8	15.8	14.8	13.5	12.5	11.0	9.6	7.9	5.0																			
		60	15.6	14.6	13.4	12.1	10.8	9.4	7.5	4.0																				
Shut-off PSI			128	119	110	102	93	84	76	67	58	50	41	32	24	15	6													

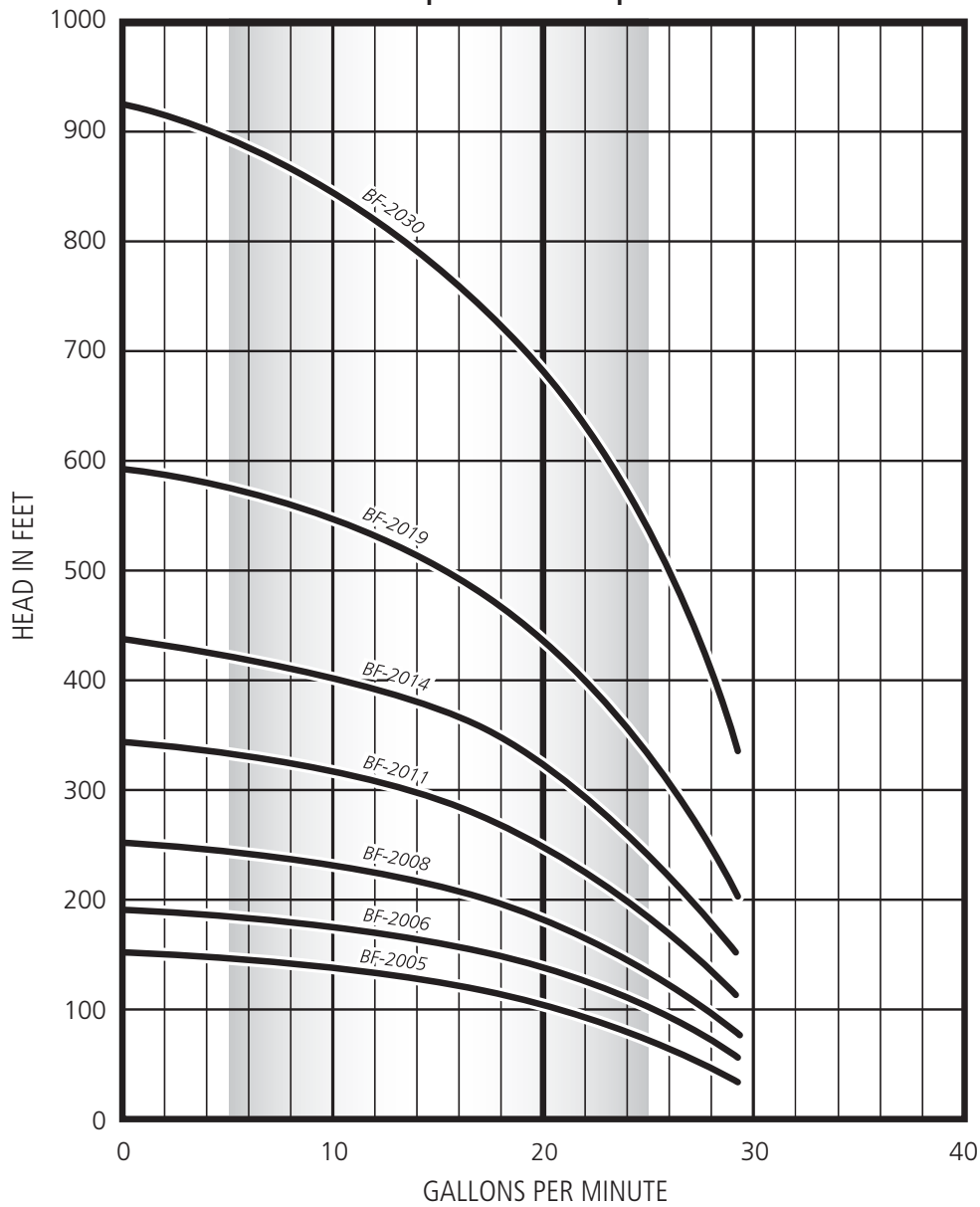
BF-1512	1-1/2	0								21.7	20.9	20.2	19.3	18.3	17.2	16.2	15.2	14.1	10.7										
		20					21.5	20.4	19.9	19.0	18.0	17.1	16.1	14.9	13.8	12.2	10.8												
		30			22.2	21.4	20.6	19.6	18.8	17.8	16.9	16.0	14.6	13.5	11.9	9.9	6.0												
		40		22.0	21.3	20.5	19.5	18.6	17.7	16.8	15.9	14.5	13.4	11.5	9.3	6.0													
		50	22.0	21.1	20.3	19.4	18.4	17.5	16.5	15.6	14.3	13.0	11.2	8.3															
		60	20.9	20.2	19.3	18.3	17.2	15.3	14.1	13.0	10.7	7.6																	
Shut-off PSI			156	147	139	130	121	113	104	95	87	78	69	61	52	43	35	17											

BF-1517	2	0										21.0	20.5	20.0	19.3	18.9	18.2	16.8	15.4	13.6	11.5	8.7						
		20								20.8	20.4	19.8	19.2	18.6	18.0	17.3	16.6	15.1	13.4	11.2	7.8							
		30							20.7	20.3	19.7	19.2	18.4	17.8	17.2	16.5	15.8	14.1	12.1	9.8								
		40						20.6	20.2	19.6	19.1	18.3	17.7	17.1	16.4	15.7	14.8	13.0	10.8	7.0								
		50			21.1	20.5	20.1	19.4	19.0	18.2	17.6	17.0	16.2	15.6	14.7	13.9	11.8	9.5										
		60		21.0	20.5	20.0	19.3	18.9	18.2	17.5	16.8	16.1	15.4	14.6	13.6	12.5	10.2	6.0										
Shut-off PSI				206	198	189	180	172	163	155	146	137	129	120	111	103	85	68	51	33	16							

BF-1521	3	0											21.8	21.4	20.9	20.0	19.1	18.0	16.6	15.5	13.9	12.0	9.3	6.5			
		20										21.6	21.2	20.9	20.3	19.9	19.0	17.9	16.7	15.3	13.8	11.7	8.9	7.0			
		30								22.0	21.5	21.1	20.8	20.2	19.8	19.4	18.4	17.2	15.9	14.3	12.5	10.3	6.0	4.0			
		40							22.0	21.4	21.1	20.7	20.2	19.8	19.3	18.8	17.6	16.5	15.0	13.4	11.5	8.0	4.0				
		50					21.9	21.5	21.0	20.6	20.1	19.7	19.2	18.7	18.1	16.9	15.7	14.0	12.1	9.9	7.0						
		60			21.8	21.4	20.9	20.5	20.0	19.5	19.1	18.6	18.0	17.4	16.2	14.9	13.0	11.0	7.0								
Shut-off PSI						243	235	226	217	209	200	191	183	174	165	157	139	122	104	87	70	53	35	18			

PUMP MODEL	HP	PSI	DEPTH TO PUMPING WATER LEVEL OR LIFT IN FEET																							
			40	60	80	100	120	140	160	180	200	240	260	300	340	380	420	460	480	520	560	600	700	800	900	1000
BF-1535	5	0														21	20.5	19.7	19.5	19.0	18.7	18.0	16.2	14.5	12.2	9.0
		20													21.0	20.5	20.0	19.4	19.1	18.5	18.0	17.3	15.5	13.6	11.0	6.0
		30												20.9	20.3	20.0	19.5	18.9	18.6	18.1	17.5	17.0	15.2	13.2	10.0	5.0
		40											21.3	20.7	20.3	19.8	19.5	18.8	18.5	17.9	17.1	16.6	14.7	12.7	9.2	
		50										21.3	21.0	20.5	20.0	19.5	19.0	18.4	18.1	17.5	16.8	16.2	14.2	11.9	8.5	
		60									21.2	20.9	20.6	20.2	19.8	19.2	18.7	18.0	17.7	17.0	16.4	15.8	13.7	11.2	6.5	
Shut-off PSI										381	363	354	337	320	303	285	268	260	242	225	208	165	121	78	35	

20 GPM | 1/2 - 5 HP | 3450 RPM – 60HZ



SPECIFICATIONS

MODEL	HP	STAGES	PHASE	NO. OF WIRES	LENGTH INCH		WEIGHT LBS		DISCH SIZE
					PUMP	MOTOR	PUMP	MOTOR	
BF-2005	1/2	5	1	2 W	10.1	9.5	6	18	1-1/4"
				3 W				19	
BF-2006	3/4	6	1	2 W / 3 W	11	10.6	6.2	21	
BF-2008	1	8	1	2 W / 3 W	12.7	11.7	6.8	24	
BF-2011	1-1/2	11	1	2 W	15.2	15.1	7.9	31	
				3 W		13.6		28	
BF-2014	2	14	1	3 W	17.8	15.1	9	33	
			3			13.6		28	
BF-2019	3	19	1	3 W	22	22.2	10.8	55	
			3			19.2		43	
BF-2030	5	30	1	3 W	32.6	28.2	15.6	70	
			3			22.2		55	

20 GPM | 1/2 - 5 HP | 3450 RPM – 60HZ

CAPACITY IN U.S. GALLONS PER MINUTE

PUMP MODEL	HP	PSI	DEPTH TO PUMPING WATER LEVEL OR LIFT IN FEET																							
			20	40	60	80	100	120	140	160	180	200														
BF-2005	1/2	0		32.0	29.0	28.0	22.0	18.0	10.0																	
		20		25.0	20.0	16.0	8.0																			
		30		20.0	14.0	4.0																				
		40		14.0	6.0																					
		50		4.0																						
		60																								
Shut-off PSI			61	53	44	35	27	18	9																	

PUMP MODEL	HP	PSI	DEPTH TO PUMPING WATER LEVEL OR LIFT IN FEET																								
			20	40	60	80	100	120	140	160	180	200															
BF-2006	3/4	0			28.7	27.0	24.5	21.5	18.4	14.0																	
		20	28.2	26.4	23.5	20.5	17.0	11.3																			
		30	25.5	22.5	19.3	16.2	10.0																				
		40	22.7	19.4	15.6	9.5																					
		50	18.9	15.5	8.0																						
		60	14.0	5.5																							
Shut-off PSI			74	66	58	49	40	32	23	14																	

PUMP MODEL	HP	PSI	DEPTH TO PUMPING WATER LEVEL OR LIFT IN FEET																											
			20	40	60	80	100	120	140	160	180	200	220	240	260	280	300	340	380	420	460	500	540	580	620	660				
BF-2008	1	0					27.5	30.0	24.1	21.7	19.3	16.4	12.5																	
		20		28.5	27.1	25.6	23.2	20.5	18.1	14.5	10.5																			
		30	28.4	26.6	24.08	22.7	20.3	17.6	14.3	8.8																				
		40	25.5	24.6	22.5	20.2	17.5	13.6	8.5																					
		50	24.5	22.5	19.6	17.0	13.5	7.6																						
		60	21.5	19.1	16.3	12.5																								
Shut-off PSI			103	94	86	77	68	60	51	42	34	25	16																	

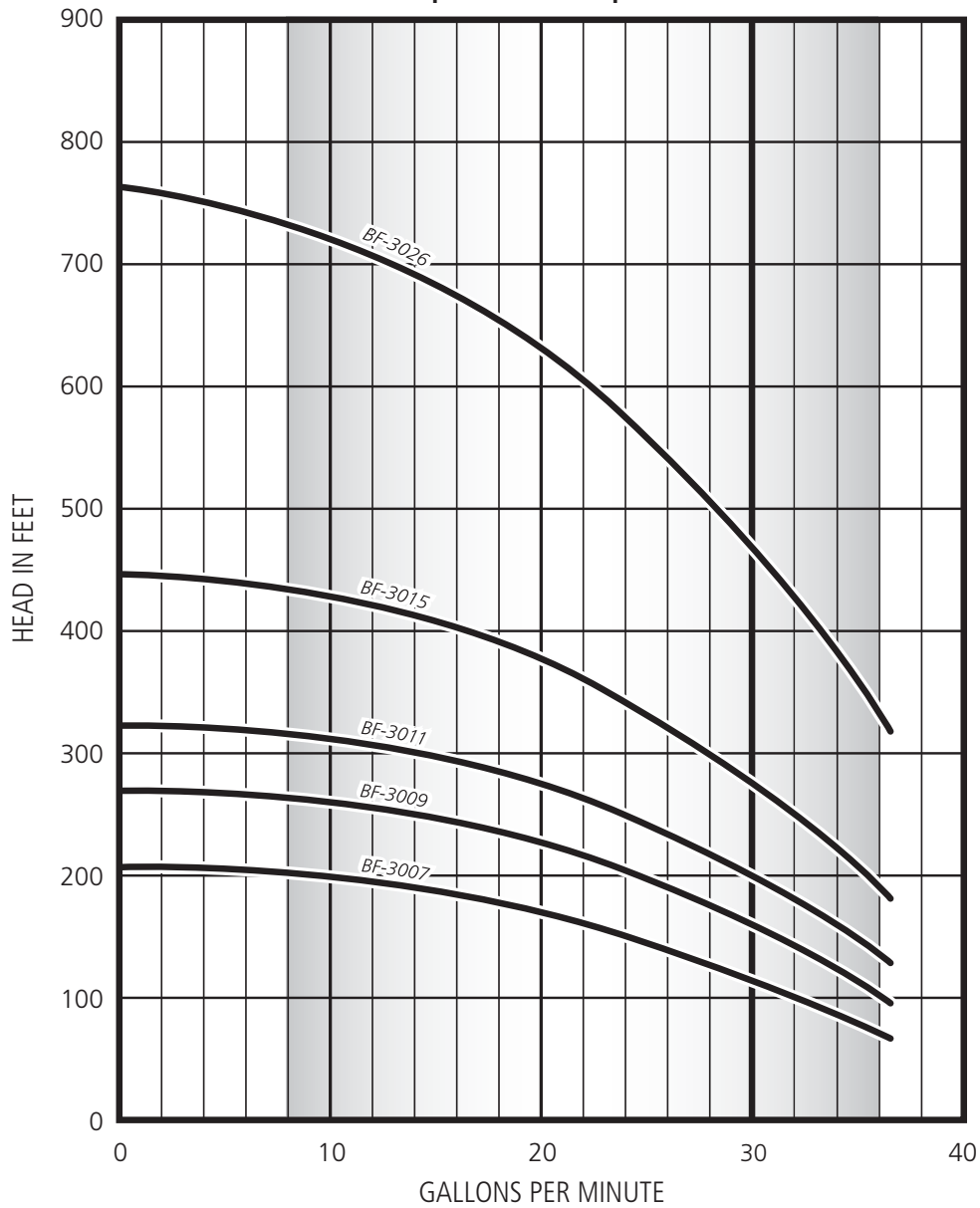
BF-2011	1-1/2	0						28.9	27.7	26.5	25.3	23.5	21.9	20.1	18.0	15.5	12.6													
		20				28.3	27.3	25.9	24.5	22.7	21.1	19.3	17.2	14.5	10.5															
		30			28.2	27.0	25.8	24.3	22.5	20.7	19.0	16.6	14.0	10.5																
		40		28.0	26.8	25.5	24.1	22.5	20.6	18.6	16.5	13.6	10																	
		50	28.1	26.9	25.5	23.9	22.3	20.5	18.5	20.0	13.5	9.7																		
		60	26.5	25.1	23.5	21.7	20.0	18.0	15.5	12.5	8.4																			
Shut-off PSI			143	134	126	117	108	100	91	82	74	65	56	48	39	30	22													

BF-2014	2	0							28.5	27.6	26.7	25.6	24.5	23.4	21.9	20.5	17.3	13.3										
		20					28.3	27.3	26.3	25.1	24.2	23.1	21.5	20.0	18.5	16.5	12.1											
		30				30.0	27.0	30.0	25.0	23.8	22.6	21.1	19.5	18.0	16.3	14.1	7.0											
		40			29.0	27.9	26.9	25.9	24.9	23.7	22.5	21.0	19.4	17.9	16.2	14.0	11.5											
		50		28.5	27.7	26.7	25.8	24.8	23.5	22.3	20.8	19.2	17.5	15.8	13.6	11.0	6.5											
		60	28.5	27.6	26.7	25.6	24.5	23.4	21.9	20.5	18.8	17.3	15.3	13.3	10.0													
Shut-off PSI			183	174	165	157	148	139	131	122	113	105	96	87	79	70	61	44	27									

BF-2019	3	0										28.5	27.9	27.2	26.5	25.5	24.0	22.0	19.7	17.4	14.7	11.0					
		20									28.2	27.5	26.8	26.3	25.4	24.5	23.5	21.5	19.4	17.0	14.0	9.5					
		30									28.1	27.4	26.7	26.0	25.3	24.4	23.4	22.4	20.3	18.0	15.4	11.7					
		40								28.0	27.4	26.7	25.9	25.1	24.3	23.3	22.3	21.4	19.0	16.5	13.8	8.5					
		50						27.9	27.3	26.5	25.7	25.0	24.1	23.1	22.2	20.5	20.0	20.0	17.8	15.0	11.5						
		60				28.5	27.9	27.2	26.5	25.5	24.8	24.0	23.0	22.0	21.0	19.7	18.5	16.2	13.3	7.5							
Shut-off PSI						225	216	208	199	190	182	173	164	156	147	139	130	113	95	78	61	43	26				

PUMP MODEL	HP	PSI	DEPTH TO PUMPING WATER LEVEL OR LIFT IN FEET																								
			140	160	180	200	220	240	260	280	300	340	380	420	460	500	540	580	620	660	700	740	780	820	860	900	
BF-2030	5	0										28.4	27.3	26.3	25.3	24.2	23.1	21.7	20.4	18.9	17.3	15.3	12.9	10.2	9.0	4.0	
		20										29.0	28.0	26.9	26.1	25.0	23.8	22.7	21.5	20.3	18.5	16.7	14.8	12.5	9.3	3.0	
		30									29.0	28.5	27.4	26.5	25.5	24.4	23.4	22.1	20.8	19.1	17.5	15.5	13.5	10.7	6.7		
		40								29.0	28.5	27.9	26.8	25.8	24.9	23.7	22.6	20.6	19.9	18.4	16.5	14.5	12.1	8.5			
		50						29.0	28.4	27.8	27.3	26.4	25.4	24.3	23.2	21.8	20.6	19.0	17.4	15.4	13.3	10.5	6.5				
		60					29.0	28.4	27.7	27.3	26.7	25.7	24.6	23.5	22.4	21.2	19.7	18.0	16.3	14.1	11.5	8.3					
Shut-off PSI						307	298	290	281	264	246	229	212	195	177	160	143	125	108	91	73	56	39	26	8		

30 GPM | 1 - 5 HP | 3450 RPM – 60HZ



SPECIFICATIONS

MODEL	HP	STAGES	PHASE	NO. OF WIRES	LENGTH INCH		WEIGHT LBS		DISCH SIZE
					PUMP	MOTOR	PUMP	MOTOR	
BF-3007	1	7	1	2W / 3W	12.6	11.7	6.9	24	1-½"
BF-3009	1-½	9	1	2W	14.6	15.1	7.7	31	
				3W		13.6		28	
BF-3011	2	11	1	3W	16.5	15.1	8.6	33	
			3			13.6		28	
BF-3015	3	15	1	3W	20.4	22.2	10.3	55	
			3			19.2		43	
BF-3026	5	26	1	3W	32.5	28.2	15.6	70	
			3			22.2		55	

30 GPM | 1 - 5 HP | 3450 RPM – 60HZ

CAPACITY IN U.S. GALLONS PER MINUTE

PUMP MODEL	HP	PSI	DEPTH TO PUMPING WATER LEVEL OR LIFT IN FEET																							
			20	40	60	80	100	120	140	160	180	200	220	240	260	280	300	340	380	420	460	500	540	580	620	660
BF-3007	1	0						31.8	29.8	26.0	22.2	17.0	10.0													
		20	36.0	34.0	31.0	28.0	24.2	21.0	16.0	2.0																
		30	34.0	30.0	26.2	24.0	20.6	15.0																		
		40	30.0	26.1	23.9	14.0	15.0																			
		50	26.0	23.3	20.0	14.0																				
		60	22.0	18.0	10.0																					
Shut-off PSI		82	74	65	56	48	39	30	22	13	4															

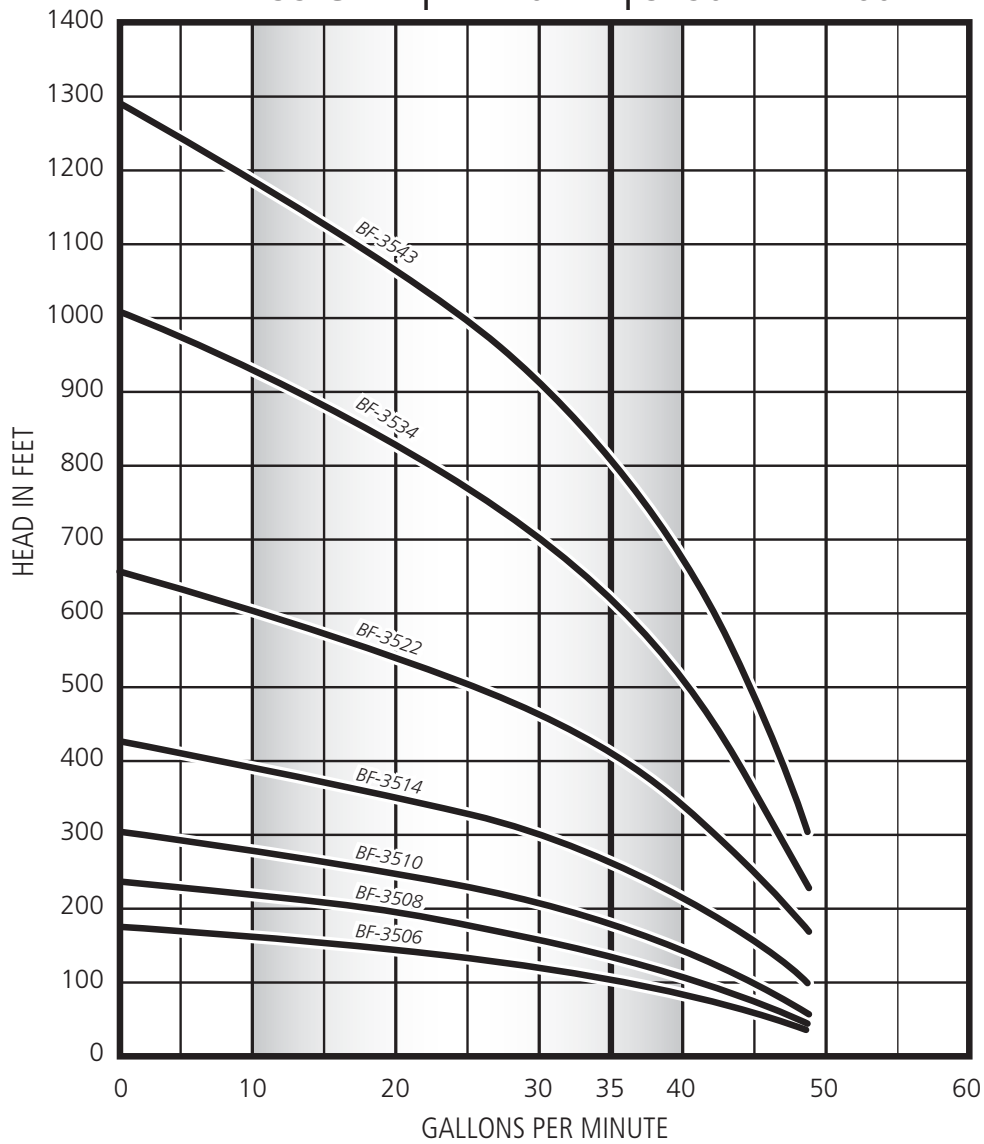
BF-3009	1-1/2	0						34.5	32.8	30	27.8	25.9	21.5	17.5	11.0										
		20			36.0	34.0	32.0	28.6	27.0	23.5	21.0	16.0	6.0												
		30		33.0	30.0	28.5	26.6	24.6	22.2	19.9	14.0	4.0													
		40	35.0	33.0	30.4	28.0	26.0	22.5	18.5	14.0	4.0														
		50	33.0	30.0	28.0	26.2	22.0	19.0	12.0																
		60	30.0	28.0	25.0	22.0	18.8	11.0																	
Shut-off PSI		111	103	94	85	77	68	59	51	42	33	25	16	7											

BF-3011	2	0						37.0	35.5	24.0	32.0	30.0	27.5	26.0	22.5	19.5	14.4								
		20						33.5	31.5	27.0	26.0	25.0	21.5	18.0	10.0	2.0									
		30				35.0	33.5	31.0	29.0	27.0	24.0	21.0	18.0	10.0											
		40				33.0	31.0	28.5	26.5	23.3	21.4	17.0	8.0												
		50	36.5	34.0	33.0	31.0	28.0	25.5	23.1	20.0	16.0	8.0													
		60	34.0	33.0	30.0	28.0	26.5	22.5	20.5	15.0	6.0														
Shut-off PSI		130	121	113	104	95	87	78	69	61	52	43	35	26	17	11									

BF-3015	3	0										35.5	34.0	33.0	30.5	29.5	28.6	24.0	20.0	12.0					
		20									35.0	33.5	32.5	31.0	29.0	27.5	25.6	24.0	19.0	10.0					
		30								36.0	33.6	32.5	29.9	29.0	27.0	24.6	23.0	22.0	14.5	2.0					
		40						34.5	33.5	32.0	30.7	29.0	26.5	24.0	23.0	21.0	18.0	9.0							
		50				36.0	34.5	33.5	31.5	30.0	28.0	26.5	23.5	22.5	20.2	18.5	13.0								
		60			36.0	34.5	33.0	31.5	30.0	28.0	26.0	24.0	21.6	19.9	17.0	13.0	9.0								
Shut-off PSI			174	165	157	148	139	131	122	113	105	96	87	79	70	53	35	18	11						

PUMP MODEL	HP	PSI	DEPTH TO PUMPING WATER LEVEL OR LIFT IN FEET																								
			60	80	100	120	140	160	180	200	220	240	260	280	300	340	380	420	460	500	540	580	620	660	700	740	
BF-3026	5	0														37.0	36.0	34.5	32.0	31.0	28.5	26.0	24.0	20.5	17.3	14.8	11.0
		20													37.0	36.0	35.5	34.0	32.0	30.0	28.0	26.0	22.9	21.0	17.0	11.0	6.0
		30												37.0	36.0	35.2	30.2	29.5	28.3	26.9	25.4	24.7	21.9	20.0	17.9	8.0	
		40											36.5	36.0	35.0	34.5	33.5	32.9	29.5	27.5	25.0	23.5	20.0	16.5	11.0	4.0	
		50										36.5	36.0	34.8	34.2	33.5	32.5	30.5	29.0	27.0	24.0	21.0	18.0	14.0	8.0		
		60								36.0	35.0	34.5	34.0	33.2	32.3	31.5	29.0	27.0	25.0	22.5	18.5	16.0	10.0	3.0			
Shut-off PSI								268	260	251	242	234	225	216	199	182	165	147	130	113	95	78	61	43	26		

35 GPM | 1 - 10 HP | 3450 RPM – 60HZ



SPECIFICATIONS

MODEL	HP	STAGES	PHASE	NO. OF WIRES	LENGTH INCH		WEIGHT LBS		DISCH SIZE
					PUMP	MOTOR	PUMP	MOTOR	
BF-3506	1	6	1	2W / 3W	14.1	11.7	7.5	24	2"
BF-3508	1-½	8	1	2W / 3W	16.6	15.1 / 13.6	8.8	31	
BF-3510	2	10	1 / 3	3W	19	15.1 / 13.6	10.1	33 / 28	
BF-3514	3	14	1 / 3	3W	23.9	22.2 / 19.2	12.5	55 / 43	
BF-3522	5	22	1 / 3	3W	35.2	28.2 / 22.2	17.8	70 / 55	
BF-3534	7-½	34	3	3W	49.5	28.2	25.5	70	
BF-3543	10	43	3	3W	51.9	30.4	31.2	75	

35 GPM | 1 - 10 HP | 3450 RPM – 60HZ

CAPACITY IN U.S. GALLONS PER MINUTE

PUMP MODEL	HP	PSI	DEPTH TO PUMPING WATER LEVEL OR LIFT IN FEET																				
			20	40	60	80	100	120	140	160	180	200											
BF-3506	1	0		46	43	39	34	28	20	9													
		20	42	37	32	26	17																
		30	37	31	25	15																	
		40	30	23	13																		
		50	22	12																			
		60	10																				
Shut-off PSI		67	58	50	41	32	24	15	6														

PUMP MODEL	HP	PSI	DEPTH TO PUMPING WATER LEVEL OR LIFT IN FEET																				
			20	40	60	80	100	120	140	160	180	200											
BF-3508	1-1/2	0		47	45	43	40	37	34	29	23	16											
		20	45	42	41	36	32	28	21	14													
		30	42	39	36	32	27	20	12														
		40	39	35	31	26	19	11															
		50	35	30	25	18	9																
		60	30	24	17	8																	
Shut-off PSI		95	86	78	69	60	52	43	34	26	17												

PUMP MODEL	HP	PSI	DEPTH TO PUMPING WATER LEVEL OR LIFT IN FEET																										
			20	40	60	80	100	120	140	160	180	200	220	240	260	280	300	320	340	360	380	400	420	440	460	480			
BF-3510	2	0			47	46	44	42	39	36	33	30	26	20	15	10													
		20	47	45	43	41	38	36	32	29	24	19	12	8															
		30	45	43	40	38	35	32	28	23	18	11	6																
		40	42	40	38	35	31	27	22	17	9	5																	
		50	40	37	34	31	27	22	16	10																			
		60	37	34	30	26	21	14	10																				
Shut-off PSI		121	112	103	95	86	77	69	60	51	43	34	26	17	8														

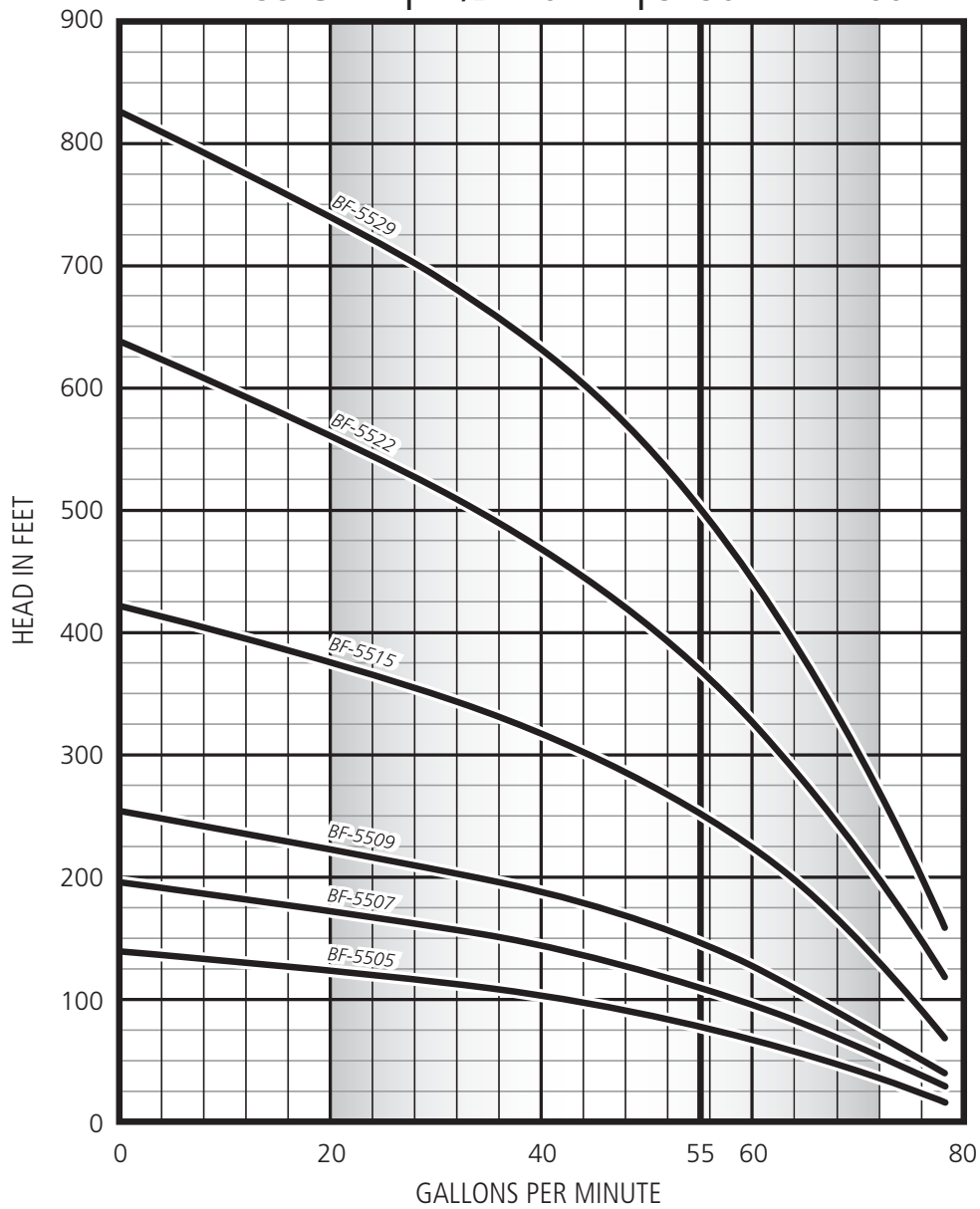
BF-3514	3	0				49	48	46	45	43	41	40	38	35	33	31	28	24	20	15								
		20				47	46	44	43	41	39	37	35	32	30	27	23	19	13									
		30				47	46	44	42	41	39	37	34	32	29	26	22	18	12									
		40				47	45	44	42	40	38	36	34	32	29	25	22	17	11									
		50	47	45	44	42	40	38	36	34	31	28	25	21	16													
		60	45	43	42	40	38	36	33	31	28	24	20	15														
Shut-off PSI		170	161	152	144	135	126	118	109	100	92	83	74	66	57	48	40	31	23	14								

PUMP MODEL	HP	PSI	DEPTH TO PUMPING WATER LEVEL OR LIFT IN FEET																								
			50	100	150	200	250	300	350	400	450	500	550	600	650	700	750	800	850	900	1000	1050	1100	1150	1200	1250	
BF-3522	5	0			48	46	44	41	38	35	31	27	20	11													
		20	50	48	46	44	41	38	35	32	27	21	11														
		30	49	47	45	43	40	37	34	30	25	17															
		40	48	46	44	41	39	36	32	27	21	12															
		50	47	45	43	40	37	34	30	25	18																
		60	46	44	42	39	36	32	28	22	13																
Shut-off PSI		264	242	220	199	177	156	134	112	91	69	47	26														

BF-3534	7-1/2	0				48	46	45	44	42	40	38	36	34	31	29	25	21	17	12						
		20				48	47	45	44	42	40	39	36	34	32	29	26	22	17	12						
		30				48	47	46	44	43	41	40	38	35	33	30	27	24	20	15	10					
		40				48	47	45	44	42	41	39	37	34	32	29	26	22	18	13						
		50				47	46	45	43	41	40	38	36	33	31	28	24	20	15	10						
		60	48	47	45	44	42	41	39	37	35	32	29	26	22	18	13									
Shut-off PSI		415	393	371	350	328	306	285	263	241	220	198	176	155	133	111	90	68	47							

BF-3543	10	0					47	46	44	43	41	40	39	38	37	36	34	32	29	26	23	20	16	11	
		20					48	46	44	43	41	40	39	38	37	36	34	32	29	27	23	20	16	12	
		30					47	45	43	42	41	40	39	38	36	35	33	31	28	25	22	18	14	10	
		40					48	46	44	43	42	41	40	38	37	36	34	32	30	27	24	20	16	12	
		50					47	45	43	42	41	40	39	38	37	35	33	31	28	25	22	18	14	10	
		60					48	46	44	43	42	41	40	39	37	36	34	32	30	27	24	20	17	12	
Shut-off PSI					486	464	443	421	399	378	356	334	313	291	269	248	226	205	183	161	140	118	96	75	53

55 GPM | 1½ - 10 HP | 3450 RPM – 60HZ



SPECIFICATIONS

MODEL	HP	STAGES	PHASE	NO. OF WIRES	LENGTH INCH		WEIGHT LBS		DISCH SIZE
					PUMP	MOTOR	PUMP	MOTOR	
BF-5505	1-½	5	1	2 W	17	15.1	9.5	31	2"
				3 W		13.6		28	
BF-5507	2	7	1	3 W	21.1	15.1	11.7	33	
			3			13.6		28	
BF-5509	3	9	1	3 W	25.2	22.2	13.6	55	
			3			19.2		43	
BF-5515	5	15	1	3 W	37.5	28.2	19.5	70	
			3			22.2		55	
BF-5522	7-½	22	3	3 W	53	28.2	27	70	
BF-5529	10	29	3	3 W	67.2	30.4	34.3	75	

55 GPM | 1½ - 10 HP | 3450 RPM – 60HZ

CAPACITY IN U.S. GALLONS PER MINUTE

PUMP MODEL	HP	PSI	DEPTH TO PUMPING WATER LEVEL OR LIFT IN FEET																					
			20	40	60	80	100	120	140	160	180	200												
BF-5505	1-½	0	74	67	60	50	38	20																
		20	57	47	33																			
		30	45	31																				
		40	28																					
		50																						
		60																						
Shut-off PSI			52	43	35	26	17	9																

PUMP MODEL	HP	PSI	DEPTH TO PUMPING WATER LEVEL OR LIFT IN FEET																						
			20	40	60	80	100	120	140	160	180	200													
BF-5507	2	0		75	70	64	57	49	40	27															
		20	68	62	55	47	36	23																	
		30	61	54	45	34	20																		
		40	53	44	33																				
		50	42	31																					
		60	28																						
Shut-off PSI			78	67	58	50	41	32	24	15															

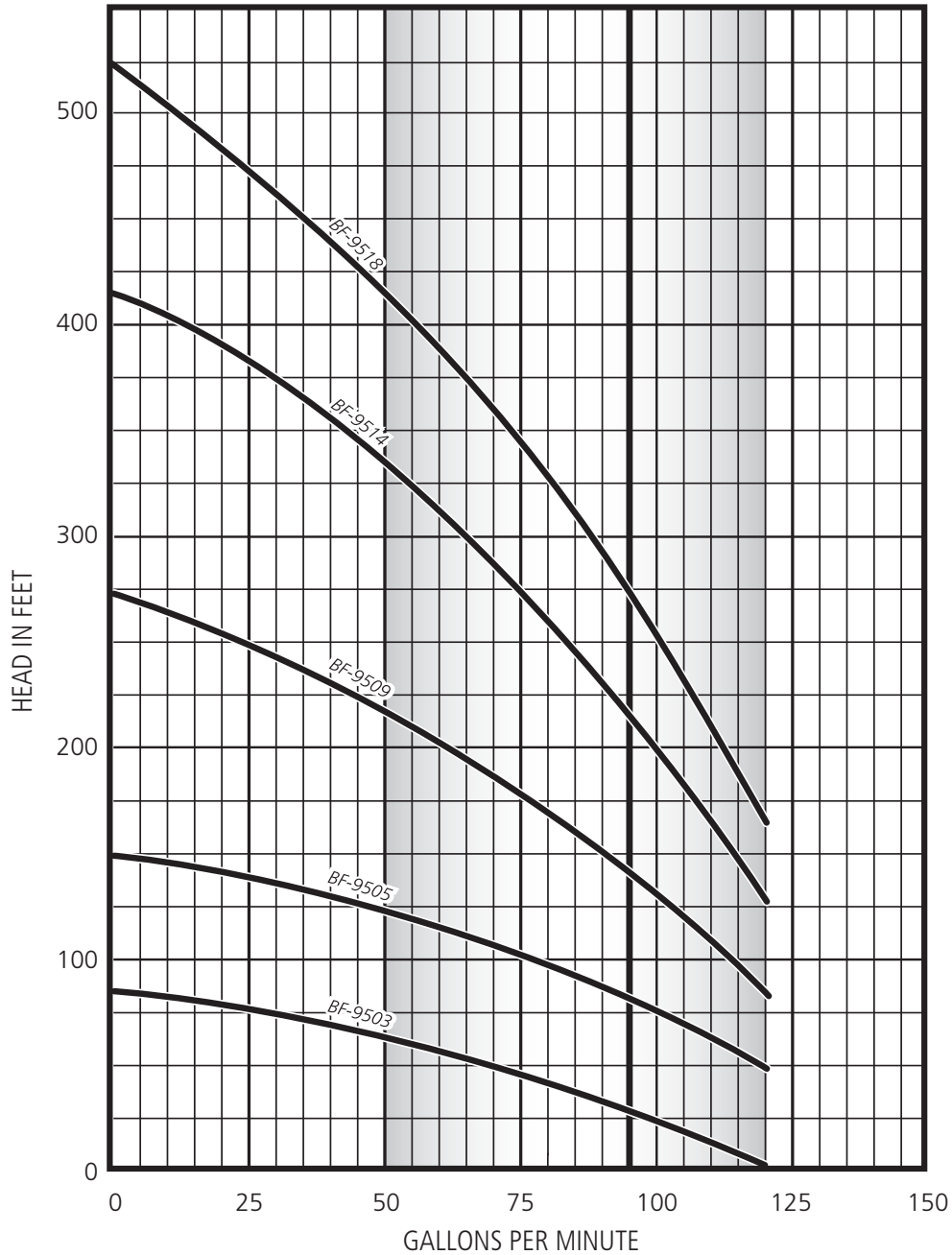
PUMP MODEL	HP	PSI	DEPTH TO PUMPING WATER LEVEL OR LIFT IN FEET																									
			20	40	60	80	100	120	140	160	180	200	220	240	260	280	300	320	340	360	380	400	420	440	460	480		
BF-5509	3	0		77	73	69	65	59	55	49	41	32																
		20	72	68	64	59	53	46	39	29																		
		30	67	63	58	52	45	37	27																			
		40	62	57	51	44	36	25																				
		50	56	50	43	34	23																					
		60	49	42	33	22																						
Shut-off PSI			102	94	85	76	68	59	50	42	33	24																

BF-5515	5	0			76	75	73	70	68	65	62	59	55	52	47	43	37	31	24								
		20		76	74	72	70	67	64	61	58	54	50	46	41	36	29	22									
		30	76	74	72	69	67	64	61	57	54	50	45	40	35	28	21										
		40	74	71	69	66	63	57	53	49	44	39	34	27	20												
		50	71	68	66	63	60	56	52	48	44	39	33	26	19												
		60	68	65	62	59	52	48	43	38	32	26	17														
Shut-off PSI			178	169	161	152	143	135	126	117	109	100	91	83	74	65	57	48	39	31							

PUMP MODEL	HP	PSI	DEPTH TO PUMPING WATER LEVEL OR LIFT IN FEET																								
			20	80	100	140	180	220	260	300	340	380	420	480	500	540	580	620	660	700	740	780	820	860	900	940	
BF-5522	7-½	0			79	76	73	70	66	62	58	52	46	39	31	22											
		20		78	76	73	69	66	61	57	52	45	38	30	20												
		30	80	77	74	71	67	63	59	54	48	41	33	24													
		40	78	75	72	69	65	61	56	51	44	37	28														
		50	76	73	70	67	63	58	53	47	40	32	23														
		60	75	72	68	64	60	55	50	43	36	27															
Shut-off PSI			261	243	226	209	191	174	157	139	122	105	88	70	53	36											

BF-5529	10	0			80	78	76	75	73	71	68	66	63	60	56	51	47	41	35	28						
		20		80	78	76	74	73	70	68	65	62	59	55	51	46	40	33	26							
		30		79	77	75	73	71	69	67	64	61	57	53	48	42	36	29	22							
		40	79	78	76	74	72	70	68	65	62	59	55	50	45	39	32	25								
		50	78	77	75	73	71	69	66	63	60	56	52	47	42	35	28	21								
		60	77	76	74	72	70	67	65	61	58	54	49	44	38	31	24									
Shut-off PSI			353	336	319	301	284	267	250	232	215	198	180	163	146	128	111	94	76	59						

95 GPM | 2 - 10 HP | 3450 RPM – 60HZ



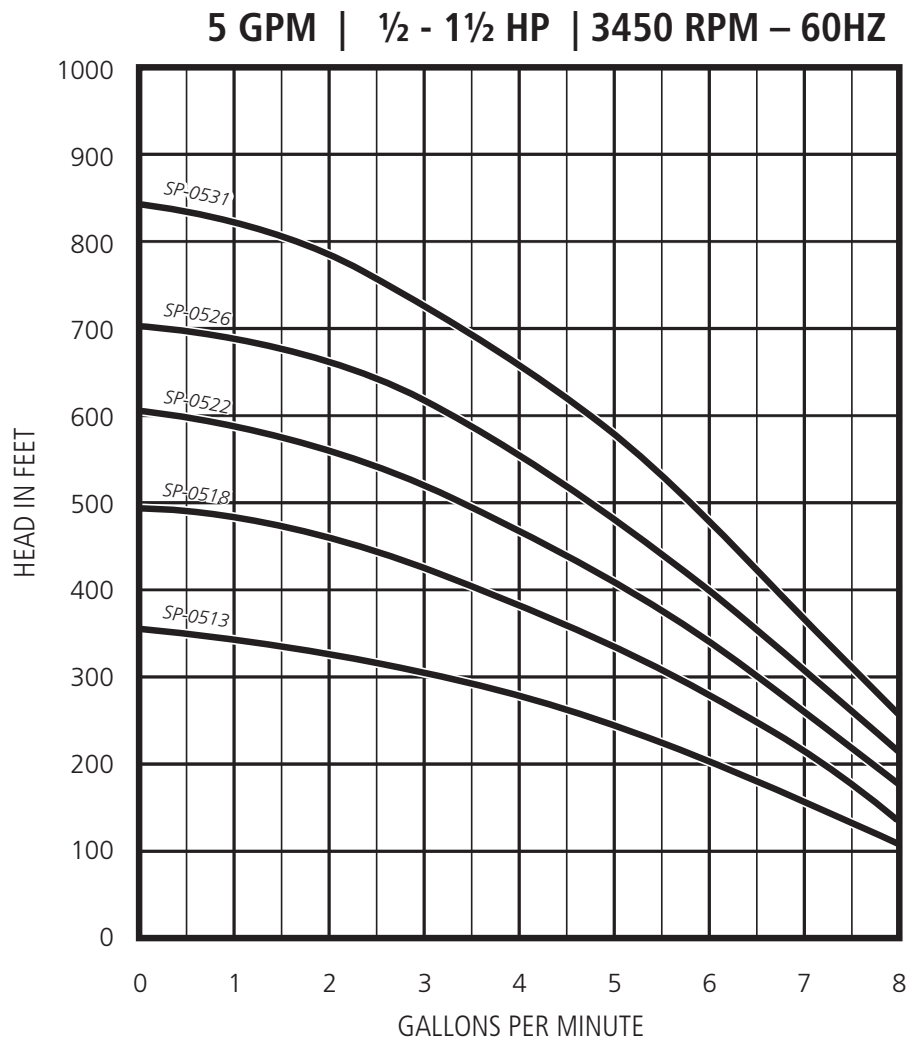
SPECIFICATIONS

MODEL	HP	STAGES	PHASE	NO. OF WIRES	LENGTH INCH		WEIGHT LBS		DISCH SIZE
					PUMP	MOTOR	PUMP	MOTOR	
BF-9503	2	3	1	3 W	13	15.1	7.4	33	2"
			3			13.6		28	
BF-9505	3	5	1	3 W	18.6	22.2	10.6	55	
			3			19.2		43	
BF-9509	5	9	1	3 W	29.3	28.2	15.6	70	
			3			22.2		55	
BF-9514	7-1/2	14	3	3 W	42.6	28.2	22.6	70	
BF-9518	10	18	3	3 W	59.5	30.4	31	75	

95 GPM | 2 - 10 HP | 3450 RPM – 60HZ

CAPACITY IN U.S. GALLONS PER MINUTE

PUMP MODEL	HP	PSI	DEPTH TO PUMPING WATER LEVEL OR LIFT IN FEET																									
			20	40	60	80	100	120	140	160	180	200	220	240	260	280	300	320	340	360	380	400	420	440	460	480		
BF-9503	2	0	102	80	55	15																						
		20	47																									
		30																										
		40																										
		50																										
		60																										
Shut-off PSI		28	19	11	2																							
BF-9505	3	0		119	105	87	68																					
		20	99	82	62																							
		30	79	58																								
		40	55																									
		50																										
		60																										
Shut-off PSI		55	46	38	29	20																						
BF-9509	5	0				118	109	101	92	82	71	58																
		20	123	115	107	98	89	78	67	54																		
		30	114	105	97	87	77	65																				
		40	104	95	86	75	63																					
		50	93	84	73	61																						
		60	82	72	59																							
Shut-off PSI		107	98	90	81	72	64	55	46	38	29																	
BF-9514	7-½	0						115	110	104	98	92	86	79	72	65	57											
		20			119	114	108	102	97	90	84	77	69	63														
		30		118	113	107	102	96	89	83	76	69	62															
		40	117	112	106	101	95	88	82	75	68	60																
		50	111	106	99	94	87	81	74	67	59																	
		60	105	99	93	86	80	73	66	58																		
Shut-off PSI		171	162	153	145	136	127	119	110	101	93	84	75	67	58	49												
BF-9518	10	0							120	117	111	107	101	95	90	85	79	74	67	57	53	43	37	28				
		20							118	112	106	102	96	90	85	79	73	66	58	52	44	36	26					
		30					115	112	110	106	99	94	88	83	77	71	63	56	50	40	32	25						
		40					115	113	109	103	97	92	87	82	76	69	63	55	48	38	32							
		50				116	113	108	103	97	92	87	80	75	68	63	55	48	39	32								
		60	120	116	112	107	103	97	92	85	79	74	68	61	53	45	38	28										
Shut-off PSI		216	208	199	190	181	173	164	156	147	138	130	121	112	104	95	86	78	69	61	52	43	35	28				



SPECIFICATIONS

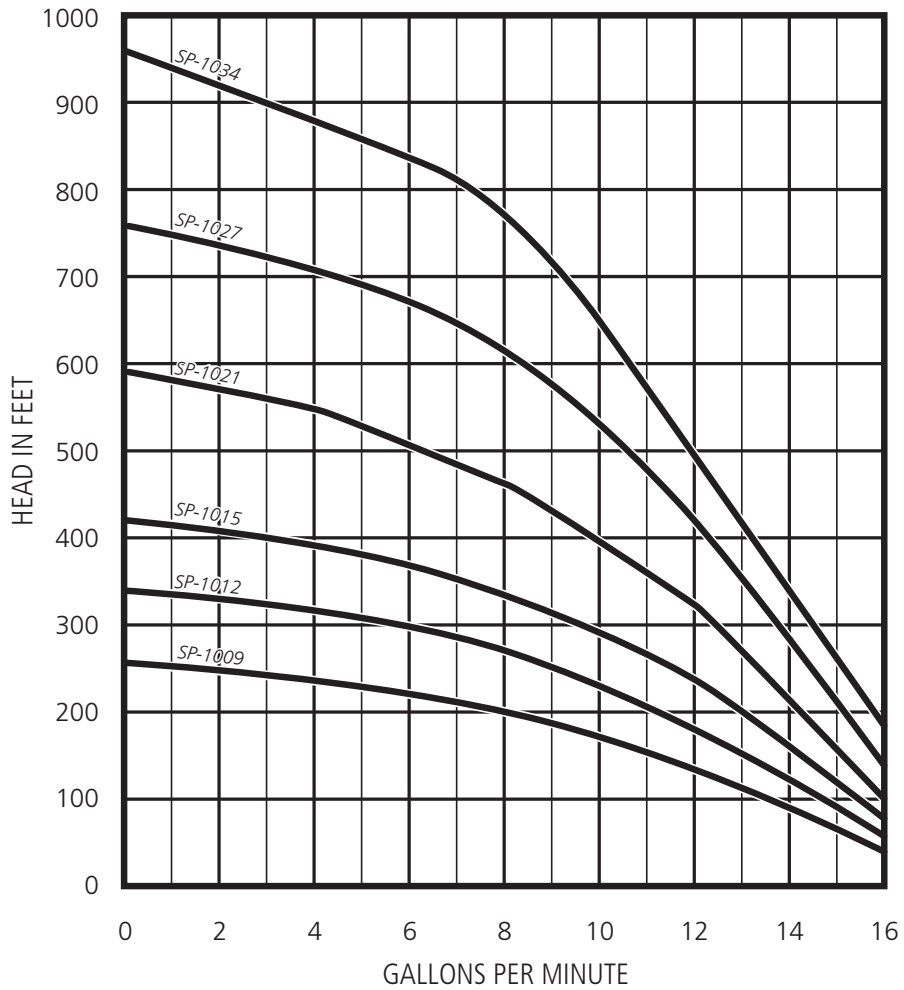
MODEL	HP	STAGES	PHASE	LENGTH INCH		WEIGHT LBS		DISCH SIZE
				PUMP	MOTOR	PUMP	MOTOR	
SP-0513	1/2	13	1	16.8	9.5	8.4	18	1-1/4"
SP-0518	3/4	18	1	21.0	10.7	10.6	21	
SP-0522	1	22	1	24.3	11.8	12.1	23	
SP-0526	1-1/2	26	1	27.5	13.6	13.7	27	
			3		11.8		26	
SP-0531	1-1/2	31	1	31.7	13.6	15.9	27	
			3		11.8		26	

5 GPM | 1/2 - 1 1/2 HP | 3450 RPM – 60HZ

CAPACITY IN U.S. GALLONS PER MINUTE

PUMP MODEL	HP	PSI	DEPTH TO PUMPING WATER LEVEL OR LIFT IN FEET																							
			20	40	60	80	100	120	140	160	180	200	220	240	260	280	300	340	380	420	460	500	540	580	620	660
SP-0513	1/2	0								7.4	6.9	6.5	6.0	5.5	5.1	4.6	4.1	3.4								
		20					7.2	6.8	6.3	5.8	5.4	4.9	4.5	3.9	3.2	2.2										
		30				7.2	6.7	6.2	5.8	5.3	4.9	4.4	3.8	3.1	2.0											
		40		7.5	7.1	6.6	6.2	5.7	5.2	4.8	4.3	3.7	2.9	1.8												
		50	7.5	7.0	6.6	6.1	5.6	5.2	4.7	4.2	3.6	2.8	1.5													
		60	7.0	6.5	6.0	5.6	5.1	4.6	4.1	3.5	2.6															
Shut-off PSI			144	135	126	118	109	101	92	83	75	66	57	49	40	31	23									
SP-0518	3/4	0								7.9	7.6	7.3	7.0	6.6	6.3	5.9	5.6	4.9	4.2	3.3	1.8					
		20					7.8	7.5	6.8	6.5	6.2	5.8	5.5	5.2	4.8	4.1	3.1	1.4								
		30					7.8	7.5	7.1	6.8	6.5	6.1	5.8	5.4	5.1	4.8	4.4	3.6	2.3							
		40				7.7	7.4	7.1	6.7	6.4	6.1	5.7	5.4	5.1	4.7	4.4	4.0	2.9	1.1							
		50			7.7	7.4	7.0	6.7	6.3	6.0	5.7	5.3	5.0	4.7	4.3	3.9	3.4	2.0								
		60		7.6	7.3	7.0	6.6	6.3	6.0	5.6	5.3	5.0	4.6	4.3	3.9	3.4	2.7									
Shut-off PSI			202	193	185	176	167	159	150	141	133	124	116	107	98	90	81	64	46	29	12					
SP-0522	1	0										7.6	7.3	7.1	6.8	6.5	6.0	5.4	4.9	4.3	3.6	2.6				
		20								7.5	7.3	7.0	6.7	6.4	6.2	5.9	5.3	4.8	4.2	3.5	2.4					
		30								7.5	7.2	6.9	6.7	6.4	6.1	5.8	5.6	5.0	4.5	3.8	2.9	1.5				
		40							7.4	7.2	6.9	6.6	6.3	6.1	5.8	5.5	5.2	4.7	4.1	3.3	2.2					
		50						7.4	7.1	6.9	6.6	6.3	6.0	5.7	5.5	5.2	4.9	4.4	3.7	2.7	1.2					
		60					7.4	7.1	6.8	6.5	6.3	6.0	5.7	5.4	5.2	4.9	4.0	3.2	1.9							
Shut-off PSI							215	206	197	189	180	171	163	154	145	137	128	111	94	76	59	42	24			
SP-0526	1-1/2	0											7.8	7.6	7.4	7.2	6.7	6.2	5.7	5.3	4.8	4.4	3.8	3.0	1.9	
		20										7.5	7.3	7.1	6.9	6.6	6.1	5.7	5.2	4.8	4.3	3.7	2.9	1.7		
		30										7.5	7.3	7.1	6.8	6.6	6.3	5.9	5.4	5.0	4.5	4.0	3.3	2.3		
		40									7.5	7.2	7.0	6.8	6.5	6.3	6.1	5.6	5.2	4.7	4.2	3.6	2.7	1.5		
		50								7.4	7.2	7.0	6.7	6.5	6.3	6.0	5.8	5.3	4.9	4.4	3.9	3.1	2.1			
		60							7.4	7.2	6.9	6.7	6.5	6.2	6.0	5.8	5.5	5.1	4.6	4.1	3.5	2.6				
Shut-off PSI								244	235	226	218	209	201	192	183	175	157	140	123	105	88	71	53	36	19	
PUMP MODEL	HP	PSI	DEPTH TO PUMPING WATER LEVEL OR LIFT IN FEET																							
			80	100	120	140	160	180	200	220	240	260	280	300	340	380	420	460	500	540	580	620	660	700	740	780
BF-0533	2	0												7.7	7.3	6.9	6.5	6.2	5.8	5.4	5.0	4.6	4.2	3.7	3.0	2.1
		20											7.4	7.3	6.9	6.5	6.1	5.7	5.3	4.9	4.5	4.1	3.6	2.9	1.9	
		30										7.4	7.2	7.0	6.7	6.3	5.9	5.5	5.1	4.7	4.3	3.8	3.2	2.4	1.2	
		40									7.4	7.2	7.0	6.8	6.4	6.0	5.6	5.3	4.9	4.5	4.0	3.5	2.8	1.8		
		50							7.5	7.4	7.2	7.0	6.8	6.6	6.2	5.8	5.4	5.0	4.7	4.2	3.7	3.1	2.2			
		60						7.5	7.3	7.1	7.0	6.8	6.6	6.4	6.0	5.6	5.2	4.8	4.4	4.0	3.4	2.6	1.6			
Shut-off PSI								285	276	268	259	250	242	233	216	198	181	164	146	129	112	95	77	60	43	25

10 GPM | 1/2 - 3 HP | 3450 RPM – 60HZ



SPECIFICATIONS

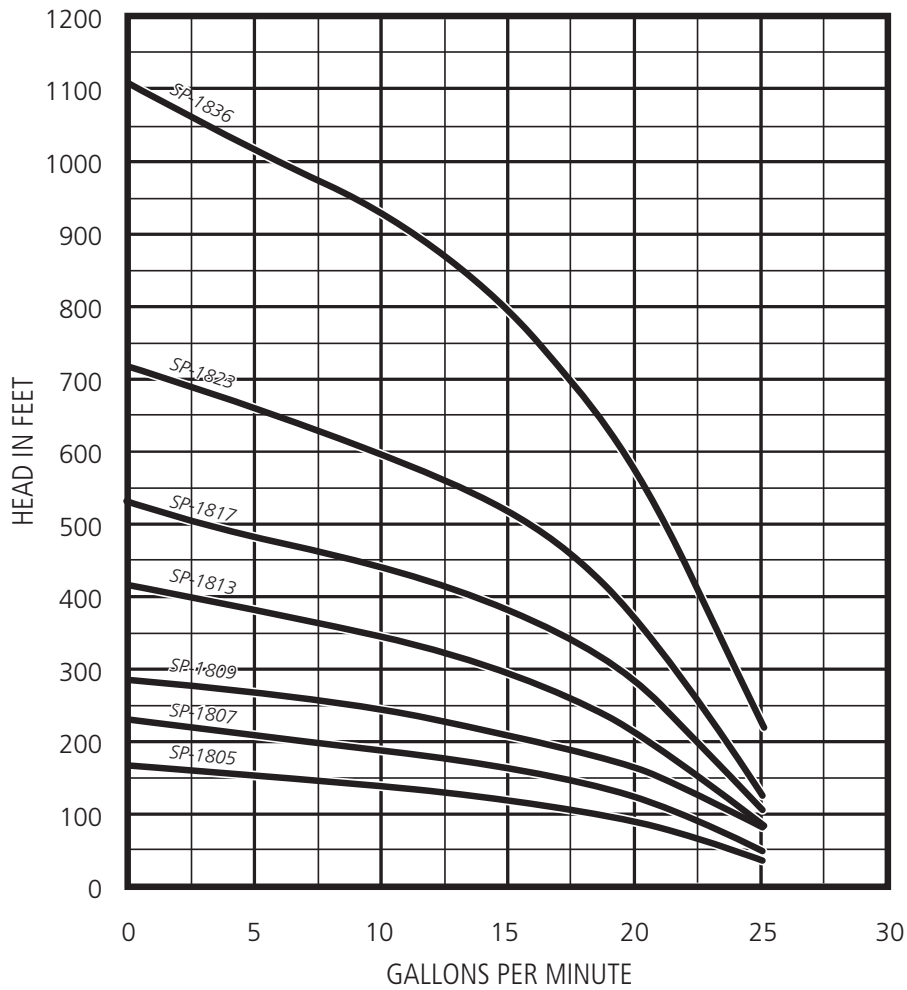
MODEL	HP	STAGES	PHASE	LENGTH INCH		WEIGHT LBS		DISCH SIZE
				PUMP	MOTOR	PUMP	MOTOR	
SP-1009	1/2	9	1	13.5	9.5	6.9	18	1-1/4"
SP-1012	3/4	12	1	16.0	10.7	8.0	21	
SP-1015	1	15	1	18.5	11.8	9.3	23	
SP-1021	1-1/2	21	1	23.5	13.6	12.6	27	
			3		11.8		26	
SP-1027	2	27	1	28.4	15.1	15.0	30	
			3		13.6		28	
SP-1034	3	34	1	34.2	23.5	19.0	54	
			3		20.6		44	

10 GPM | 1/2 - 3 HP | 3450 RPM – 60HZ

CAPACITY IN U.S. GALLONS PER MINUTE

PUMP MODEL	HP	PSI	DEPTH TO PUMPING WATER LEVEL OR LIFT IN FEET																										
			20	40	60	80	100	120	140	160	180	200	220	240	260	280	300	340	380	420	460	500	540	580	620	660			
SP-1009	1/2	0		16.2	15.5	14.8	14.0	13.1	12.1	11.0	9.8	8.3	6.3	3.1															
		20	15.3	14.6	13.7	12.8	11.7	10.6	9.4	7.8	5.4																		
		30	14.4	13.6	12.6	11.6	10.4	9.1	7.5	5.0																			
		40	13.4	12.4	11.4	10.3	8.9	7.1	4.5																				
		50	12.3	11.2	10.1	8.7	6.8	4.0																					
		60	11.1	9.9	8.4	6.4	3.4																						
Shut-off PSI		101	92	84	75	66	58	49	41	32	23	15	6																
SP-1012	3/4	0			16.0	15.5	15.0	14.4	13.8	13.1	12.3	11.5	10.7	9.8	8.7	7.4	5.6												
		20	15.9	15.4	14.8	14.2	13.5	12.8	12.1	11.3	10.4	9.5	8.3	6.9	4.9	2.2													
		30	15.3	14.7	14.1	13.4	12.7	12.0	11.1	10.3	9.3	8.1	6.6	4.6															
		40	14.6	14.0	13.3	12.6	11.8	11.0	10.1	9.1	7.9	6.3	4.2																
		50	13.9	13.2	12.5	11.7	10.9	10.0	9.0	7.7	6.0	3.8																	
		60	13.1	12.4	11.6	10.8	9.8	8.8	7.5	5.7	3.3																		
Shut-off PSI		138	129	120	112	103	94	86	77	68	60	51	42	34	25	16													
SP-1015	1	0				16.0	15.8	15.5	15.0	14.5	13.9	13.2	12.5	11.8	11.2	10.5	9.8	8.0	5.2										
		20		15.9	15.7	15.3	14.9	14.3	13.7	13.0	12.3	11.6	10.9	10.3	9.5	8.7	7.6	4.6											
		30	15.9	15.6	15.3	14.8	14.2	13.6	12.9	12.2	11.5	10.8	10.1	9.4	8.5	7.4	6.1												
		40	15.6	15.2	14.7	14.1	13.5	12.8	12.1	11.4	10.7	10.0	9.3	8.4	7.3	5.8	4.0												
		50	15.1	14.6	14.0	13.4	12.7	12.0	11.3	10.6	9.9	9.1	8.2	7.1	5.6	3.6													
		60	14.5	13.9	13.2	12.6	11.9	11.2	10.5	9.8	9.0	8.1	6.9	5.3	3.3														
Shut-off PSI		174	166	157	148	140	131	122	114	105	96	88	79	70	62	53	36	18											
SP-1021	1-1/2	0					15.8	15.5	15.2	14.9	14.6	14.2	13.9	13.5	13.1	12.6	11.8	10.8	9.8	8.5	6.9	4.6							
		20			16.0	15.7	15.4	15.1	14.8	14.4	14.1	13.7	13.3	12.9	12.5	12.1	11.6	10.7	9.6	8.3	6.6	4.2							
		30			16.0	15.7	15.4	15.1	14.8	14.4	14.1	13.7	13.3	12.9	12.4	12.0	11.5	11.1	10.1	8.9	7.4	5.3	2.3						
		40	15.9	15.6	15.4	15.0	14.7	14.4	14.0	13.6	13.2	12.8	12.4	11.9	11.5	11.0	10.5	9.4	8.1	6.3	3.7								
		50	15.6	15.3	15.0	14.7	14.3	13.9	13.6	13.2	12.7	12.3	11.9	11.4	10.9	10.4	9.9	8.7	7.1	4.9									
		60	15.3	14.9	14.6	14.3	13.9	13.5	13.1	12.7	12.2	11.8	11.3	10.9	10.4	9.8	9.2	7.9	6.0	3.2									
Shut-off PSI		247	239	230	222	213	204	196	187	178	170	161	152	144	135	126	109	92	74	57	40	22							
SP-1027	2	0					16.4	16.2	16.0	15.8	15.5	15.3	15.1	14.8	14.6	14.3	14.0	13.4	12.7	12.1	11.3	10.6	9.8	8.8	7.7	6.3			
		20					15.9	15.7	15.5	15.2	15.0	14.7	14.5	14.2	13.9	13.6	13.3	12.6	11.9	11.2	10.5	9.6	8.7	7.5	6.0	4.0			
		30				15.9	15.7	15.2	15.0	14.7	14.4	14.1	13.8	13.5	13.2	12.9	12.2	11.5	10.8	10.0	9.1	8.0	6.7	4.9	2.5				
		40		16.0	15.8	15.6	15.2	14.9	14.7	14.4	14.1	13.8	13.5	13.2	12.9	12.5	11.8	11.1	10.4	9.5	8.5	7.3	5.7	3.6					
		50	16.0	15.8	15.6	15.4	15.1	14.9	14.6	14.3	14.1	13.8	13.4	13.1	12.8	12.4	12.1	11.4	10.7	9.9	9.0	7.8	6.4	4.6	2.1				
		60	15.8	15.6	15.3	15.1	14.8	14.6	14.3	14.0	13.7	13.4	13.1	12.8	12.4	12.1	11.7	11.0	10.2	9.4	8.3	7.1	5.4	3.2					
Shut-off PSI		321	312	303	295	286	277	269	260	251	243	234	225	217	208	199	182	165	148	130	113	96	78	61	44				
PUMP MODEL	HP	PSI	DEPTH TO PUMPING WATER LEVEL OR LIFT IN FEET																										
			40	60	80	100	120	140	160	180	200	220	240	260	280	300	340	380	420	460	500	540	580	620	660	700	740	780	820
SP-1009	1/2	0								15.9	15.8	15.6	15.4	15.2	15.0	14.8	14.4	14.0	13.5	13.0	12.4	11.9	11.3	10.2	10.1	9.4	8.6	7.7	6.6
		20					16.0	15.9	15.7	15.5	15.4	15.2	15.0	14.8	14.6	14.3	13.9	13.4	12.9	12.4	11.8	11.2	10.7	10.0	9.3	8.5	7.6	6.4	5.0
		30				16.0	15.9	15.7	15.5	15.3	15.1	14.9	14.7	14.5	14.3	14.1	13.6	13.1	12.6	12.0	11.5	10.9	10.3	9.6	8.9	8.0	6.9	5.6	4.0
		40			16.0	16.8	15.7	15.5	15.3	15.1	14.9	14.7	14.5	14.3	14.0	13.8	13.3	12.8	12.3	11.7	11.2	10.6	9.9	9.2	8.4	7.4	6.2	4.7	2.8
		50		16.0	15.8	15.6	15.5	15.3	15.1	14.9	14.7	14.5	14.2	14.0	13.8	13.5	13.0	12.5	12.0	11.4	10.8	10.2	9.5	8.7	7.8	6.7	5.4	3.7	
		60	15.9	15.8	15.6	15.4	15.2	15.1	14.9	14.6	14.4	14.2	14.0	13.7	13.5	13.2	12.7	12.2	11.6	11.1	10.5	9.8	9.1	8.2	7.2	6.0	4.5	2.5	
Shut-off PSI		397	389	380	371	363	354	345	337	328	319	311	302	293	285	268	250	233	216	198	181	164	146	129	112	94	77	60	

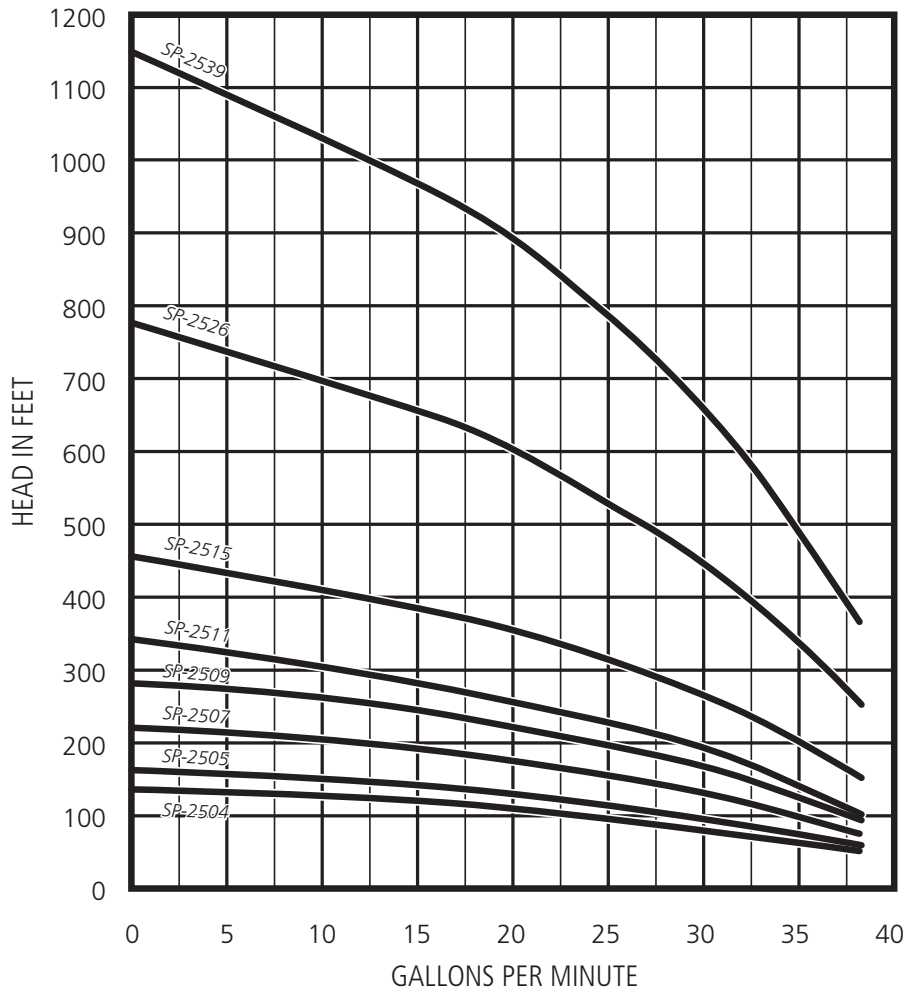
18 GPM | 1/2 - 5 HP | 3450 RPM - 60HZ



SPECIFICATIONS

MODEL	HP	STAGES	PHASE	LENGTH INCH		WEIGHT LBS		DISCH SIZE
				PUMP	MOTOR	PUMP	MOTOR	
SP-1805	1/2	5	1	10.3	9.5	5.1	18	1-1/4"
SP-1807	3/4	7	1	11.7	10.7	6.0	21	
SP-1809	1	9	1	13.4	11.8	6.9	23	
SP-1813	1-1/2	13	1	16.9	13.6	8.6	27	
			3		11.8		26	
SP-1817	2	17	1	20.2	15.1	10.4	30	
			3		13.6		28	
SP-1823	3	23	1	25.1	23.5	13.0	54	
			3		20.6		44	
SP-1836	5	36	1	35.9	29.5	18.7	65	
			3		23.5		50	

25 GPM | 1/2 - 7 1/2 HP | 3450 RPM - 60HZ



SPECIFICATIONS

MODEL	HP	STAGES	PHASE	LENGTH INCH		WEIGHT LBS		DISCH SIZE
				PUMP	MOTOR	PUMP	MOTOR	
SP-2504	1/2	4	1	9.4	9.5	5.1	18	1-1/2"
SP-2505	3/4	5	1	10.3	10.7	5.3	21	
SP-2507	1	7	1	11.9	11.8	5.9	23	
SP-2509	1-1/2	9	1	13.5	13.6	6.8	27	
			3		11.8		26	
SP-2511	2	11	1	15.2	15.1	8.1	30	
			3		13.6		28	
SP-2515	3	15	1	18.5	23.5	9.2	54	
			3		20.6		44	
SP-2526	5	26	1	27.6	29.5	14.3	65	
			3		23.5		50	
SP-2539	7-1/2	39	3	39.3	29.5	20.2	66	

25 GPM | 1/2 - 7 1/2 HP | 3450 RPM – 60HZ

CAPACITY IN U.S. GALLONS PER MINUTE

PUMP MODEL	HP	PSI	DEPTH TO PUMPING WATER LEVEL OR LIFT IN FEET																		
			20	40	60	80	100	120	140	160	180										
SP-2504	1/2	0		36.5	32.2	27.0	21.0	13.0													
		20	30.8	25.5	19.0	9.5															
		30	24.7	17.8																	
		40	16.5																		
		50																			
		60																			
Shut-off PSI			52	43	35	26	17	9													

PUMP MODEL	HP	PSI	DEPTH TO PUMPING WATER LEVEL OR LIFT IN FEET																		
			20	40	60	80	100	120	140	160	180										
SP-2505	3/4	0					29.5	23.0	13.0												
		20		33.0	27.7	20.5	8.0														
		30	32.4	26.7	19.0	7.0															
		40	25.7	17.5																	
		50	15.5																		
		60																			
Shut-off PSI			61	52	43	35	26	17	9												

PUMP MODEL	HP	PSI	DEPTH TO PUMPING WATER LEVEL OR LIFT IN FEET																		
			20	40	60	80	100	120	140	160	180										
SP-2507	1	0					33.4	29.8	26.0	20.8	13.2										
		20			32.2	28.7	24.6	18.8	10.3												
		30		31.8	28.1	23.8	17.6	8.9													
		40	31.2	27.5	23.0	16.4															
		50	25.9	22.2	15.2																
		60	21.3	13.8																	
Shut-off PSI			82	73	64	56	47	38	30	21	12										

PUMP MODEL	HP	PSI	DEPTH TO PUMPING WATER LEVEL OR LIFT IN FEET																	
			20	40	60	80	100	120	140	160	180	200	220	240						
SP-2509	1-1/2	0							31.8	29.0	26.0	22.1	16.9	10.1						
		20				33.7	31.0	28.1	24.9	20.7	15.0	7.8								
		30				33.3	30.6	27.7	24.3	19.9	13.9									
		40			32.9	30.1	27.2	23.7	19.1	12.9										
		50	32.5	29.7	26.7	23.1	18.3	11.8												
		60	29.2	26.2	22.5	17.4	10.6													
Shut-off PSI			107	99	90	81	73	64	55	47	38	30	21	12						

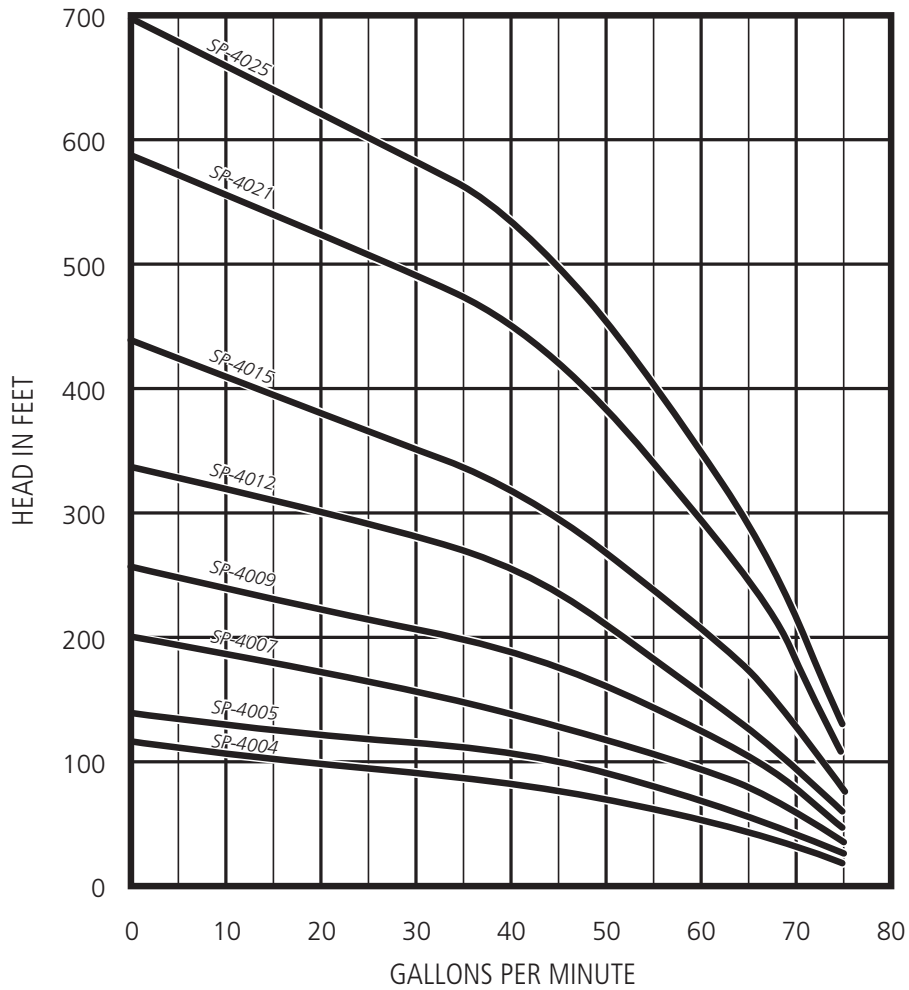
PUMP MODEL	HP	PSI	DEPTH TO PUMPING WATER LEVEL OR LIFT IN FEET																									
			20	40	60	80	100	120	140	160	180	200	220	240	260	280	300	320	340	360	380	400	420	440	460	480		
SP-2511	2	0											32.3	29.9	27.3	24.5	21.2	17.3	12.5									
		20					33.7	31.6	29.1	26.5	23.5	20.0	15.9	10.9														
		30					33.4	31.2	28.7	26.0	23.0	19.5	15.2	10.1														
		40				33.1	30.8	28.3	25.6	22.5	18.8	14.4	9.2															
		50		32.8	30.5	27.9	25.1	22.0	18.2	13.7	8.4																	
		60	32.4	30.1	27.5	24.7	21.4	17.6	12.9	7.5																		
Shut-off PSI			132	124	115	106	98	89	80	72	63	54	46	37	29	20												

SP-2515	3	0											32.9	31.3	29.6	27.9	26.0	21.2	14.4								
		20											32.4	30.8	29.1	27.3	25.3	23.1	20.3	13.1							
		30										33.8	32.2	30.5	28.8	27.0	25.0	22.7	19.9	16.5	8.0						
		40										33.5	31.9	30.2	28.5	26.7	24.7	22.3	19.4	15.9	11.8						
		50										33.3	31.7	30.0	28.3	26.4	24.3	21.9	18.9	15.3	11.1						
		60										33.0	31.4	29.7	28.0	26.1	24.0	21.4	18.4	14.7	10.4						
Shut-off PSI							159	150	142	133	124	116	107	98	90	81	72	64	46	29							

PUMP MODEL	HP	PSI	DEPTH TO PUMPING WATER LEVEL OR LIFT IN FEET																							
			240	260	280	300	340	380	420	460	500	540	580	620	660	700	740	780	820	860	900	940	980	1020	1060	1100
SP-2526	5	0									33.0	31.1	29.1	27.1	24.8	22.0	18.5	14.2	9.3							
		20									32.7	30.8	28.8	26.7	24.4	21.5	17.9	13.5	8.5							
		30									33.5	31.6	29.7	27.6	25.4	22.8	19.5	15.5	10.6							
		40									33.3	32.4	30.5	28.5	26.4	24.0	21.0	17.3	12.8							
		50									33.2	32.3	31.3	29.4	27.3	25.0	22.3	18.9	14.8	9.8						
		60	33.1	32.1	30.2	28.2	26.0	23.5	20.5	16.6	12.0	6.8														
Shut-off PSI			231	223	214	205	188	171	154	136	119	102	84	67	50	32										

SP-2539	7-1/2	0																										
		20																										
		30																										
		40																										
		50																										
		60																										
Shut-off PSI																												

40 GPM | 1 - 7½ HP | 3450 RPM – 60HZ



SPECIFICATIONS

MODEL	HP	STAGES	PHASE	LENGTH INCH		WEIGHT LBS		DISCH SIZE
				PUMP	MOTOR	PUMP	MOTOR	
SP-4004	1	4	1	14.4	11.8	8.2	23	2"
SP-4005	1-½	5	1	16.1	13.6	9.3	27	
			3		11.8		26	
SP-4007	2	7	1	19.4	15.1	11.5	30	
			3		13.6		28	
SP-4009	3	9	1	22.7	23.5	13.7	54	
			3		20.6		44	
SP-4012	5	12	1	27.7	29.5	17.0	65	
			3		23.5		50	
SP-4015	5	15	1	32.6	29.5	20.2	65	
			3		23.5		50	
SP-4021	7-½	21	3	42.5	29.5	26.7	66	
SP-4025	7-½	25	3	49.1	29.5	31.0	66	

40 GPM | 1 - 7½ HP | 3450 RPM – 60HZ

CAPACITY IN U.S. GALLONS PER MINUTE

PUMP MODEL	HP	PSI	DEPTH TO PUMPING WATER LEVEL OR LIFT IN FEET							
			20	40	60	80	100	120	140	
SP-4004	1	0		63.5	55.7	43.2				
		20	53.0	36.5						
		30	32.7							
		40								
Shut-off PSI			40	32	23	14				

PUMP MODEL	HP	PSI	DEPTH TO PUMPING WATER LEVEL OR LIFT IN FEET							
			20	40	60	80	100	120	140	
SP-4005	1-½	0			60.1	54.0	43.2	23.4		
		20	58.2	51.5	38.0					
		30	50.0	35.0						
		40	31.9							
Shut-off PSI			52	44	35	27	18	9		

PUMP MODEL	HP	PSI	DEPTH TO PUMPING WATER LEVEL OR LIFT IN FEET																							
			20	40	60	80	100	120	140	160	180	200	220	240	260	280	300	340	380	420	460	500	540	580		
SP-4007	2	0				61.0	56.7	51.7	43.2	29.9																
		20	64.5	59.6	55.4	49.6	39.6	24.9																		
		30	58.9	54.7	48.3	37.6	22.3																			
		40	53.9	47.0	35.5																					
		50	45.5	33.2																						
		60	30.9																							
Shut-off PSI			77	68	60	51	42	34	25	16																

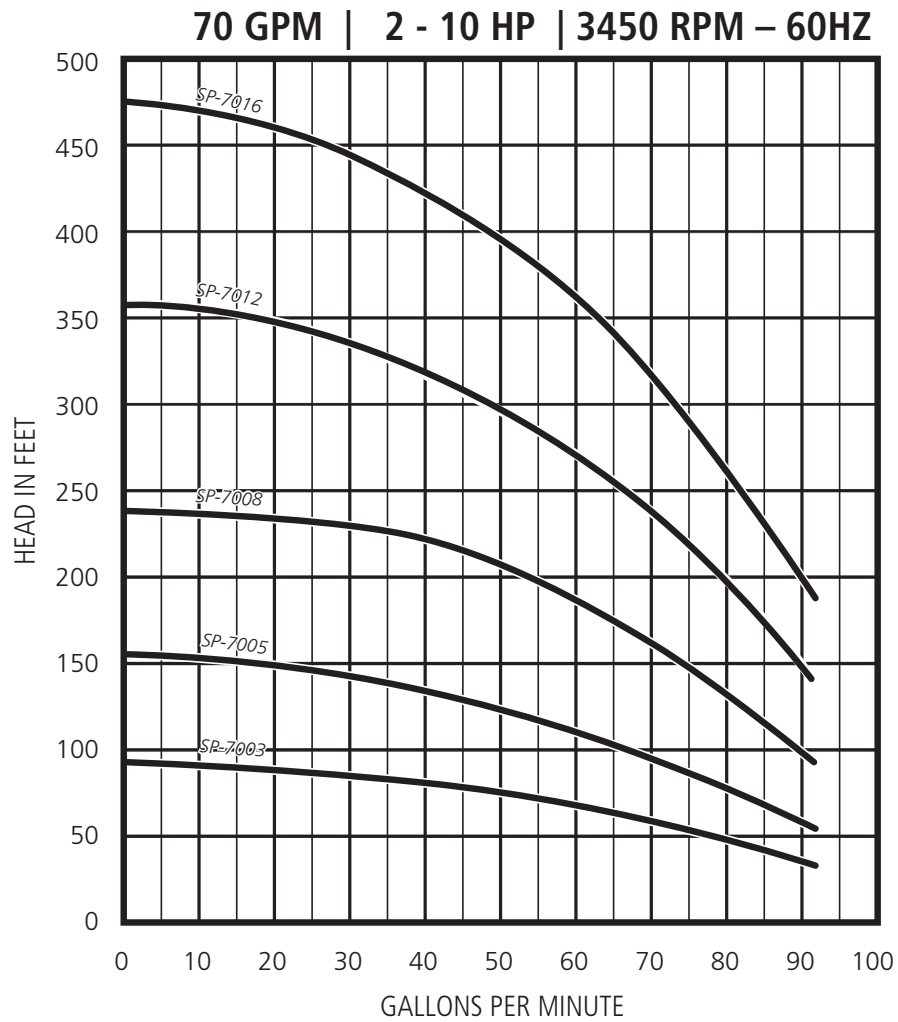
SP-4009	3	0				65.6	61.5	58.1	54.8	50.2	43.2	33.2	20.8												
		20		64.3	60.4	57.1	53.6	48.4	40.4	29.6															
		30	63.6	59.8	56.6	52.9	47.3	38.9	27.7																
		40	59.3	56.1	52.2	46.2	37.4	25.7																	
		50	55.6	51.4	45.0	35.7	23.7																		
		60	50.6	43.8	34.0	21.7																			
Shut-off PSI			101	93	84	75	67	58	49	41	32	23	15												

SP-4012	5	0						63.2	60.6	58.3	55.8	52.6	48.2	42.2	34.6	25.6								
		20			65.2	62.4	59.9	57.5	54.9	51.4	46.4	40.0	32.0	22.7										
		30		64.8	62.0	59.5	57.2	54.4	50.7	45.6	38.9	30.6	21.2											
		40	64.3	61.5	59.1	56.8	53.9	50.0	44.7	37.7	29.2													
		50	61.2	58.8	56.4	53.4	49.3	43.7	36.5	27.8														
		60	58.4	56.0	52.9	48.6	42.7	35.2	26.3															
Shut-off PSI			137	128	119	111	102	93	85	76	67	59	50	41	33	24								

SP-4015	5	0							64.4	62.1	60.1	58.3	56.3	54.0	51.0	47.1	42.2	29.4						
		20					63.6	61.5	59.5	57.7	55.7	53.2	49.9	45.7	40.5	34.2	27.1							
		30				63.3	61.2	59.3	57.4	55.3	52.7	49.3	45.0	39.6	33.2	26.9								
		40			62.9	60.9	59.0	57.1	54.9	52.2	48.7	44.2	38.6	32.1	24.7									
		50	64.9	62.6	60.6	58.7	56.8	54.6	51.8	48.1	43.4	37.7	31.0	23.5										
		60	62.3	60.3	58.4	56.5	54.2	51.3	47.4	42.6	36.7	29.9	22.4											
Shut-off PSI			173	164	156	147	138	130	121	112	104	95	86	78	69	60	52	34						

SP-4021	7-½	0										64.0	62.4	61.0	59.6	58.3	56.9	53.6	48.9	42.2	33.4	22.9	
		20									63.5	62.0	60.5	59.2	57.9	56.5	54.9	53.0	48.0	41.0	31.9	21.2	
		30						64.9	63.3	61.7	60.3	59.0	57.7	56.2	54.6	52.7	50.4	44.2	36.0	25.8			
		40				64.7	63.0	61.5	60.1	58.8	57.4	56.0	54.3	52.3	50.0	47.1	39.7	30.3					
		50			64.4	62.8	61.3	59.9	58.6	57.2	55.8	54.0	52.0	49.5	46.6	43.1	34.5	24.2					
		60		65.9	64.1	62.5	61.1	59.7	58.4	57.0	55.5	53.8	51.7	49.1	46.1	42.5	38.4	28.7					
Shut-off PSI				237	228	219	211	202	193	185	176	167	159	150	142	133	124	107	90	72	55	38	

SP-4025	7-½	0										65.3	63.9	62.5	61.3	60.1	57.9	55.5	52.3	48.0	42.2	34.9	26.4
		20									64.9	63.5	62.2	60.9	59.8	58.7	57.5	55.0	51.7	47.2	41.2	33.7	25.0
		30									64.7	63.3	62.0	60.7	59.6	58.5	57.4	56.2	53.2	49.3	43.9	37.0	28.8
		40								64.4	63.1	61.8	60.6	59.4	58.3	57.2	56.0	54.6	51.1	46.4	40.1	32.4	23.6
		50					65.6	64.2	62.8	61.6	60.4	59.3	58.2	57.0	55.8	54.3	52.7	48.5	42.9	35.8	27.4		
		60				65.4	64.0	62.6	61.4	60.2	59.1	58.0	56.8	55.6	54.1	52.4	50.5	45.5	39.0	31.1	22.1		
Shut-off PSI					288	259	251	242	233	225	216	207	199	190	181	173	155	138	121	103	86	69	51



SPECIFICATIONS

MODEL	HP	STAGES	PHASE	LENGTH INCH		WEIGHT LBS		DISCH SIZE
				PUMP	MOTOR	PUMP	MOTOR	
SP-7003	2	3	1	14.9	15.1	8.2	30	2"
			3		13.6		28	
SP-7005	3	5	1	20.0	23.5	10.4	54	
			3		20.6		44	
SP-7008	5	8	1	27.7	29.5	13.7	65	
			3		23.5		50	
SP-7012	7-1/2	12	3	37.9	29.5	18.0	66	
SP-7016	10	16	3	53	44	29	120	

70 GPM | 2 - 10 HP | 3450 RPM – 60HZ

CAPACITY IN U.S. GALLONS PER MINUTE

PUMP MODEL	HP	PSI	DEPTH TO PUMPING WATER LEVEL OR LIFT IN FEET																		
			20	40	60	80	100	120	140	160	180	200	220	240	260	280	300	340	380	420	
SP-7003	2	0		89.1	68.9	38.8															
		20	60.8																		
		30																			
		40																			
		50																			
		60																			
Shut-off PSI			31	23	14	5															
SP-7005	3	0			91.1	78.8	68.9	51.0													
		20	89.4	75.5	64.4	44.9															
		30	74.1	61.8	42.1																
		40	58.8	39.6																	
		50	37.1																		
		60																			
Shut-off PSI			58	49	40	32	23	14													
SP-7008	5	0					88.9	84.8	78.5	69.4	59.4	49.7									
		20			87.8	83.2	75.9	66.3	65.4	46.3											
		30	91.0	87.2	82.3	74.6	64.7	54.9	44.4												
		40	86.5	81.3	73.1	63.2	53.4	42.2													
		50	80.2	71.6	61.6	51.9	39.8														
		60	70.1	60.1	50.4																
Shut-off PSI			94	86	77	68	60	51	42	34	25	16									
SP-7012	7-½	0							90.2	87.7	84.8	81.0	75.7	69.4	62.7	56.1	49.7				
		20					89.4	86.9	83.8	79.5	73.9	67.4	60.6	54.2	47.5						
		30				89.0	86.4	83.2	78.7	72.9	66.3	59.6	53.2	46.3							
		40			88.6	86.0	82.6	77.9	71.9	65.3	58.6	52.2	45.0	33.0	11.3						
		50		88.2	85.5	81.9	77.0	70.9	64.2	57.6	51.2	43.7									
		60	87.8	85.1	82.3	76.1	69.9	63.2	56.6	50.2	42.2										
Shut-off PSI			146	137	128	120	111	106	94	85	76	68	59	50	42	33	24				
SP-7016	10	0							88.5	86.4	85.2	84.3	83.2	81.3	78.4	74.5	64.5	54.2	43.8		
		20					90.7	87.7	85.9	84.0	82.7	80.5	77.3	73.1	68.2	62.9	52.7	41.7			
		30				90.1	87.4	85.7	84.7	83.8	82.4	80.1	76.7	72.4	67.4	62.1	56.9	47.0			
		40			89.6	87.1	85.6	84.6	83.6	82.1	79.7	76.1	71.6	66.5	61.2	56.1	51.2				
		50		89.2	86.8	85.4	83.5	81.8	79.2	75.5	70.9	65.7	60.4	55.4	50.5	45.2					
		60	88.7	86.5	85.2	84.3	83.3	81.5	78.7	74.8	70.0	64.9	59.6	54.6	49.7	44.3					
Shut-off PSI			197	188	180	171	162	154	145	136	128	119	110	102	93	84	76	59	41	24	

NS 6" & 8" SERIES QUALITY FEATURES

APPLICATIONS

- ▶ Water distribution and pressure boosting
- ▶ Irrigation and sprinkler boosting
- ▶ Fountains

SPECIFICATIONS

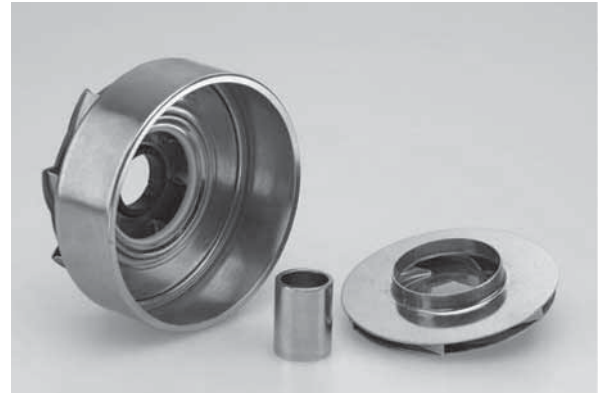
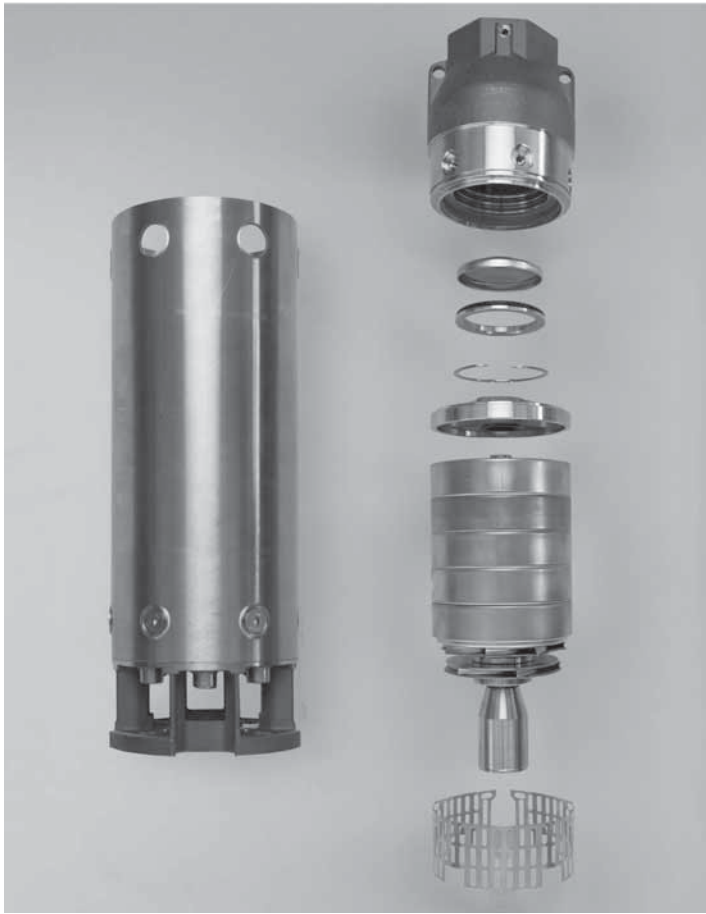
- ▶ Flows to 650 GPM
- ▶ Heads to 1620 Feet
- ▶ 3", 4" & 5" NPT Discharge
- ▶ 5 - 150 HP Designs
- ▶ Max Temperature: 140° F (60° C)
- ▶ Solids Handling to 50 gr/m³

FEATURES

- ▶ 304 stainless steel impellers and diffusers for corrosion resistance (optional all 316 stainless steel construction)
- ▶ 316 stainless steel suction and discharge components to assure permanent alignment of all hydraulic components in order to increase run time and trouble-free operation
- ▶ Teflon floating neck ring, ceramic guide journal and Nitrile rubber fluted bearing ensure durability against wear for long-lasting, constant performances and product reliability
- ▶ 431 stainless steel hexagonal shaft to ensure positive drive of the impeller stack
- ▶ Suited to operate either a vertical or horizontal position
- ▶ Built-in check valve to prevent back flow
- ▶ Motor adapter in compliance with NEMA standards



NS SERIES



► Radial Flow Stage



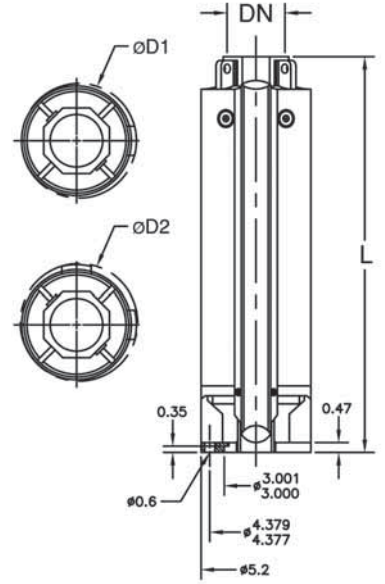
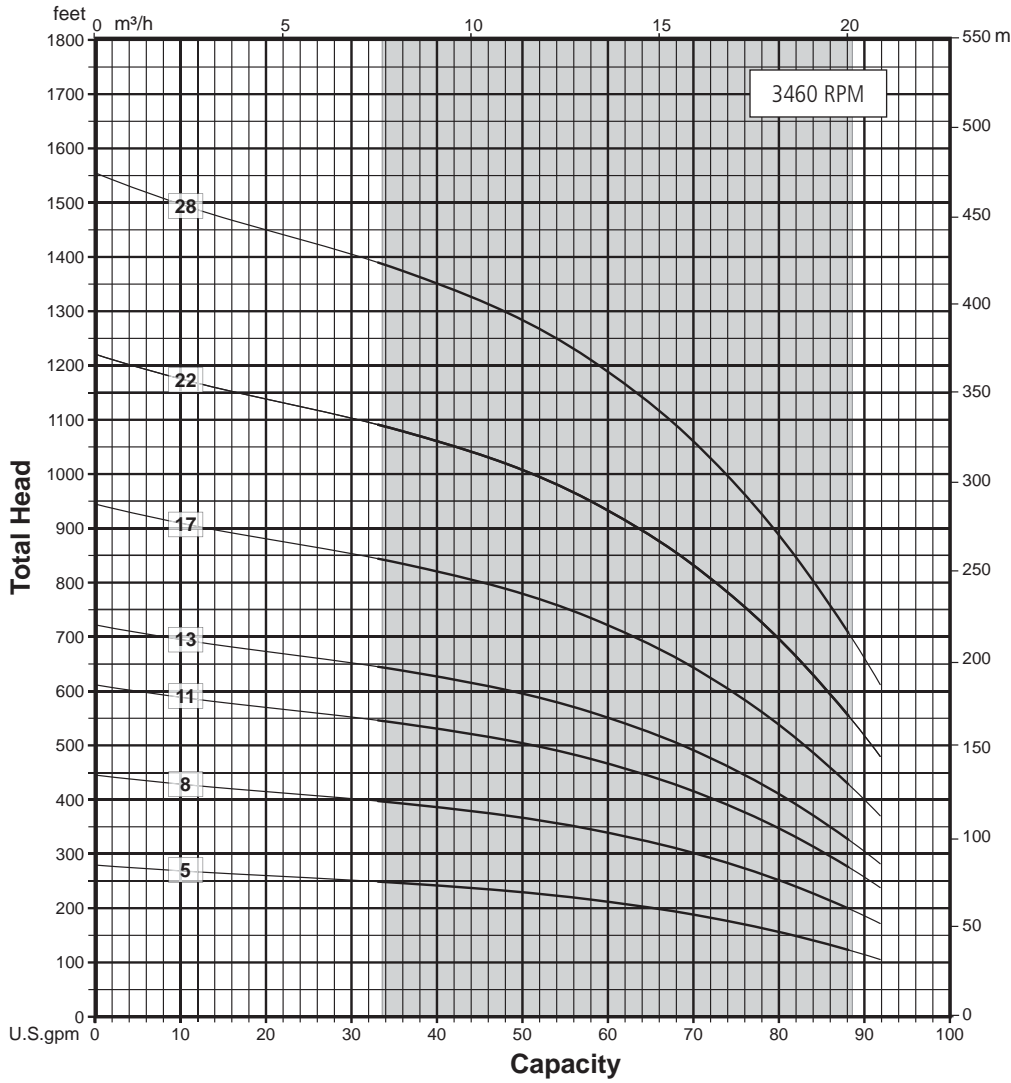
► Mixed Flow Stage

PARTS DESCRIPTION

COMPONENT	TYPE	AISI	DIN/EN
Outer case with motor adapter	Stainless Steel	304	1.4301
Discharge case with built-in check valve	Stainless Steel	316	1.4401
Sealing O-ring	Nitrile Rubber (NBR)		
Upper bowl	Stainless Steel	316	1.4404
Upper bearing bush	Nitrile Rubber (NBR)		
Upper journal sleeve	Stainless Steel w/ceramic coating	329	1.4460
Pump shaft	Stainless Steel	431	1.4057
Coupling to motor	Stainless Steel	431/329	1.4057/1.4460
Diffuser	Stainless Steel	304	1.4301
Floating neck ring	Teflon (PTFE)		
Secondary bearing bush	Nitrile Rubber (NBR)		
Secondary journal sleeve/upper jar	Stainless Steel	304	1.4301
Impeller/wear ring	Stainless Steel	304	1.4301
Cable guard	Stainless Steel	316	1.4401
Suction strainer	Stainless Steel	316	1.4401
Insert locking outer case	Stainless Steel	316	1.4401
Up-thrust washer (1 upper, 1 lower)	Stainless Steel	316	1.4401
Up-thrust disc/up-thrust ring	Teflon (PTFE)		
Screws and washers	Stainless Steel	316	1.4401

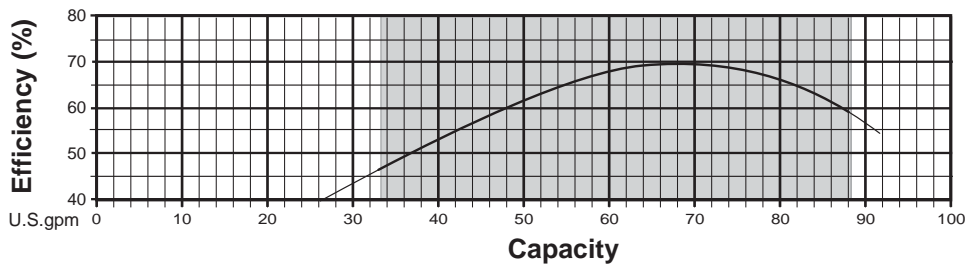
NS SERIES

NS 80



D1 pump = 5.2"
D2 pump + cable guard = 5.7"

The coupling to motor and all the mounting dimensions are in accordance with NEMA standard.

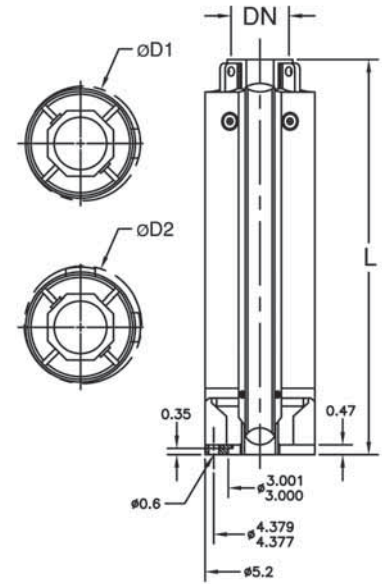
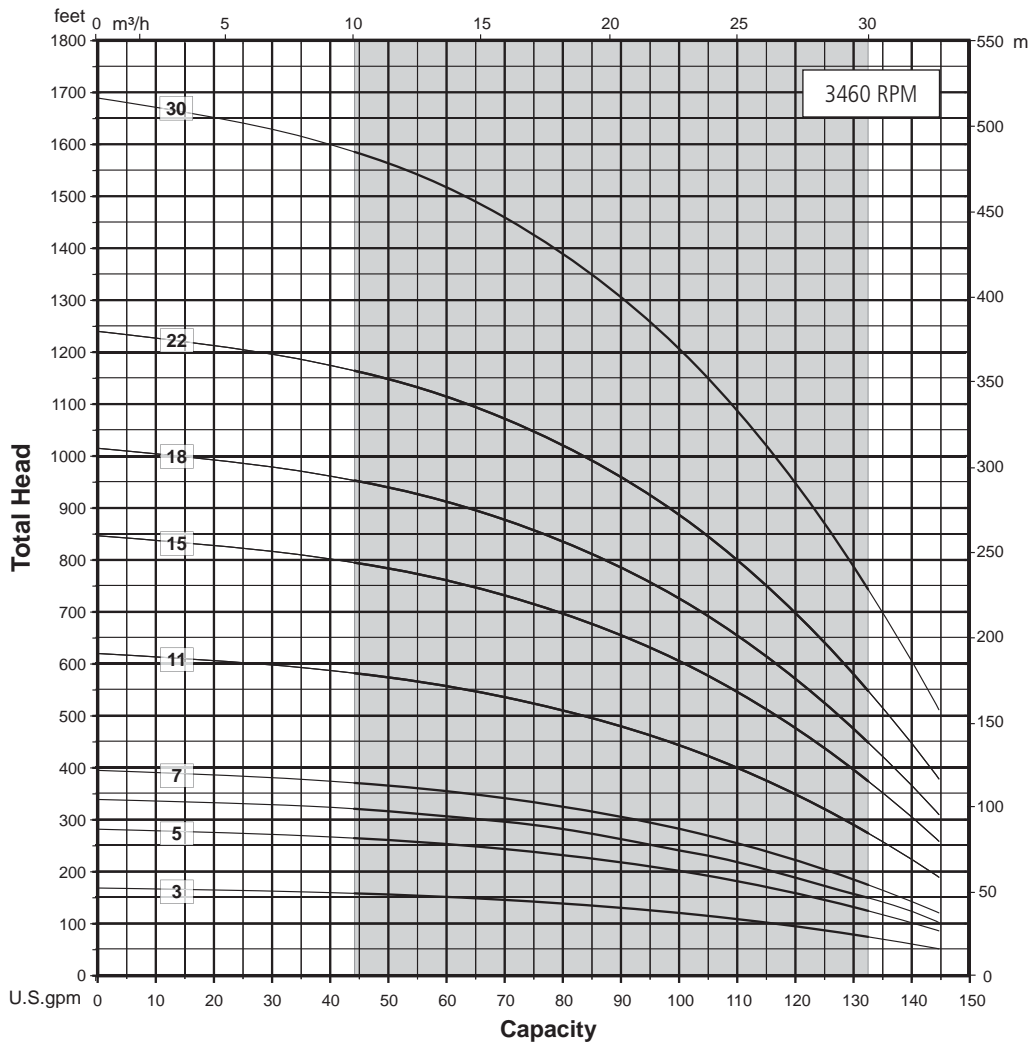


PUMP TYPE	HP	KW	DIMENSIONS		WEIGHT
			L (inches)	DN	LBS.
NS80/5	5	4	16.2	3" NPT	23
NS80/8	7.5	5.5	19.7	3" NPT	29
NS80/11	10	7.5	23.3	3" NPT	33
NS80/13	12.5	9.3	25.6	3" NPT	37
NS80/17	15	11	30.4	3" NPT	45
NS80/22	20	15	36.3	3" NPT	52
NS80/28	25	18.5	43.3	3" NPT	64

The hydraulic characteristics are guaranteed, according to H.I. standard ASI/HI 14.6-2011, tolerance 2B.

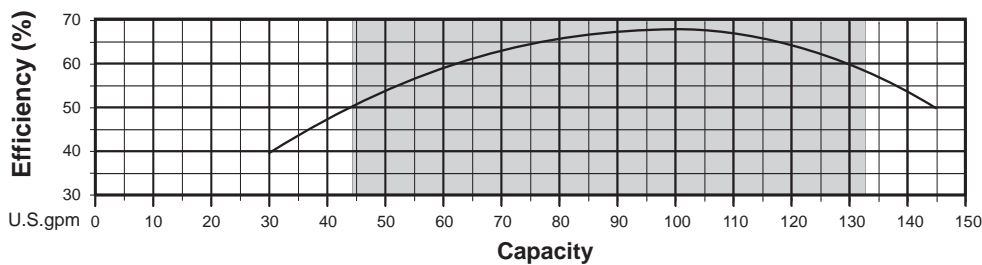
NS SERIES

NS 110



D1 pump = 5.2"
D2 pump + cable guard = 5.7"

The coupling to motor and all the mounting dimensions are in accordance with NEMA standard.

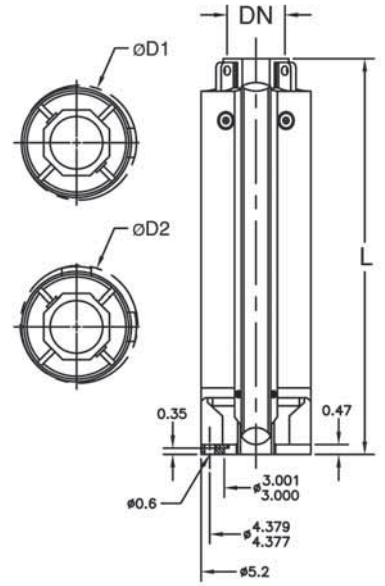
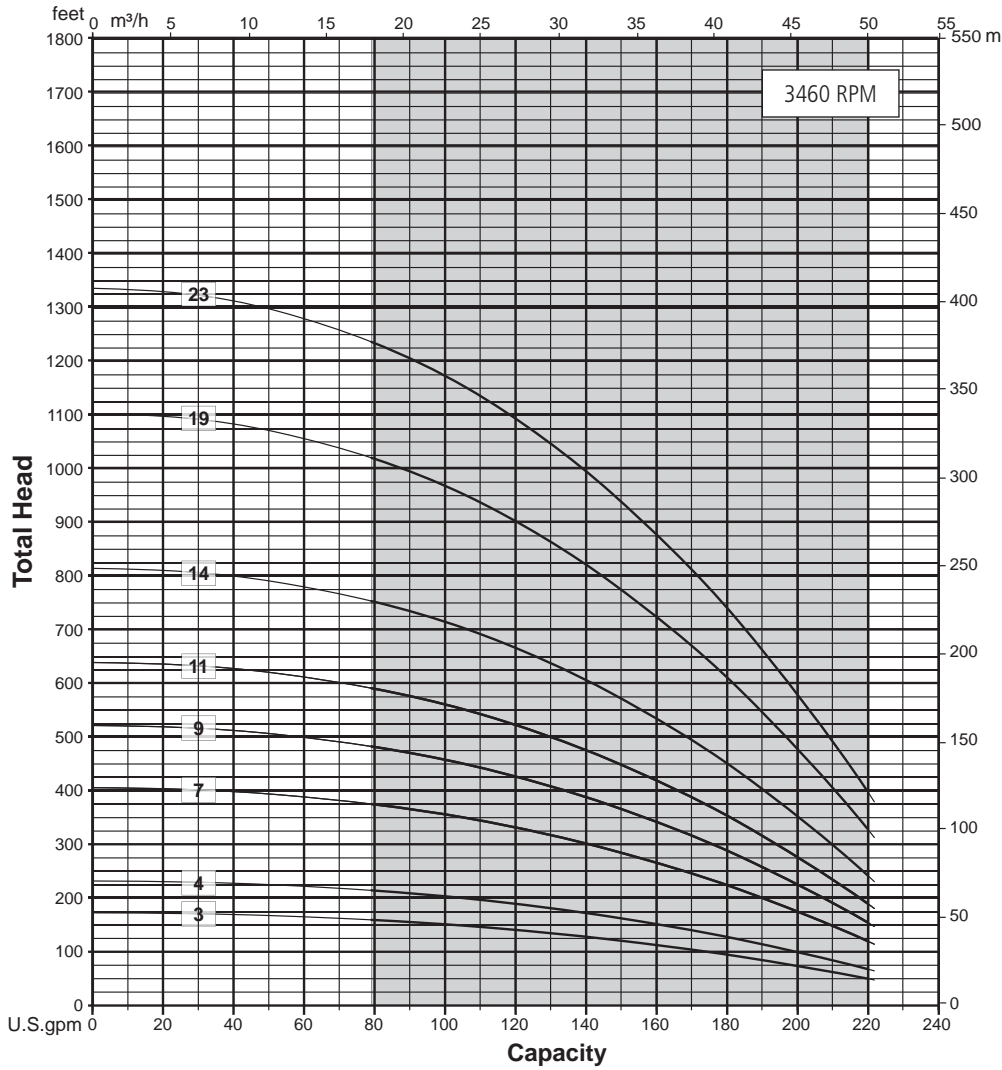


PUMP TYPE	HP	KW	DIMENSIONS		WEIGHT
			L (inches)	DN	LBS.
NS110/3	5	4	15.1	3" NPT	20
NS110/5	7.5	5.5	18.0	3" NPT	24
NS110/7	10	7.5	21.0	3" NPT	28
NS110/11	15	11	26.9	3" NPT	36
NS110/15	20	15	32.8	3" NPT	42
NS110/18	25	18.5	37.2	3" NPT	48
NS110/22	30	22	43.1	3" NPT	56
NS110/30	40	30	55.0	3" NPT	72

The hydraulic characteristics are guaranteed, according to H.I. standard ASI/HI 14.6-2011, tolerance 2B.

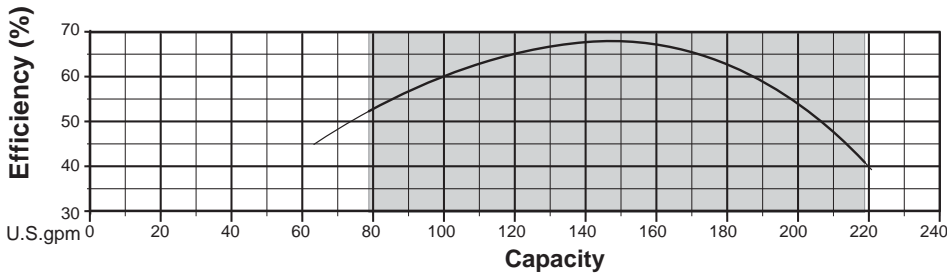
NS SERIES

NS 160



D1 pump = 5.2"
 D2 pump + cable guard = 5.7"

The coupling to motor and all the mounting dimensions are in accordance with NEMA standard.

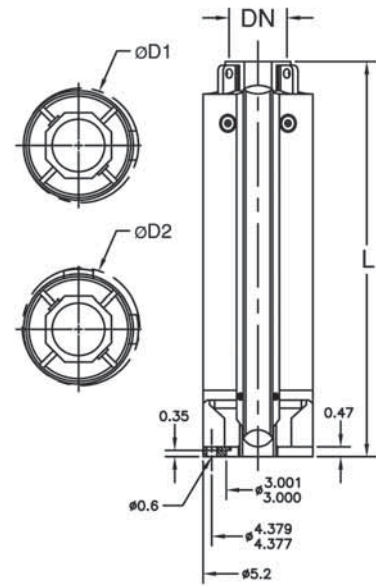
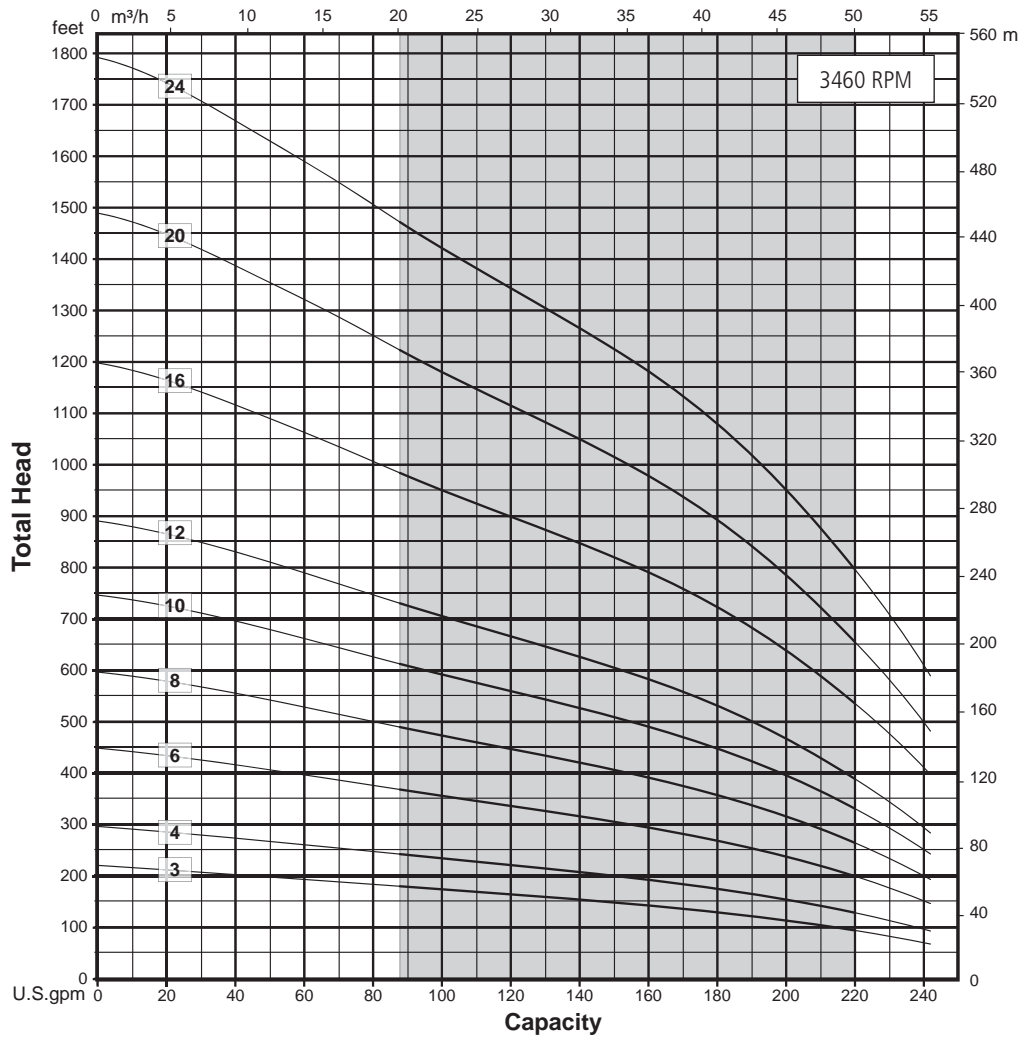


PUMP TYPE	HP	KW	DIMENSIONS		WEIGHT LBS.
			L (inches)	DN	
NS160/3	7.5	5.5	18.1	3" NPT	23
NS160/4	10	7.5	19.9	3" NPT	26
NS160/7	15	11	25.4	3" NPT	32
NS160/9	20	15	29.0	3" NPT	37
NS160/11	25	18.5	32.7	3" NPT	41
NS160/14	30	22	38.2	3" NPT	48
NS160/19	40	30	47.3	3" NPT	58
NS160/23	50	37	54.7	3" NPT	67

The hydraulic characteristics are guaranteed, according to H.I. standard ASI/HI 14.6-2011, tolerance 2B.

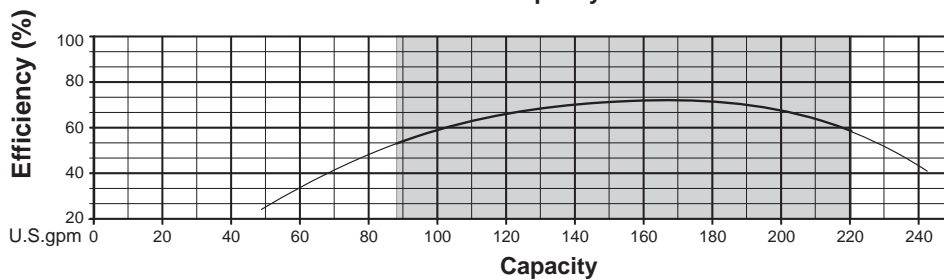
NS SERIES

NS 200



D1 pump = 5.2"
D2 pump + cable guard = 5.7"

The coupling to motor and all the mounting dimensions are in accordance with NEMA standard.

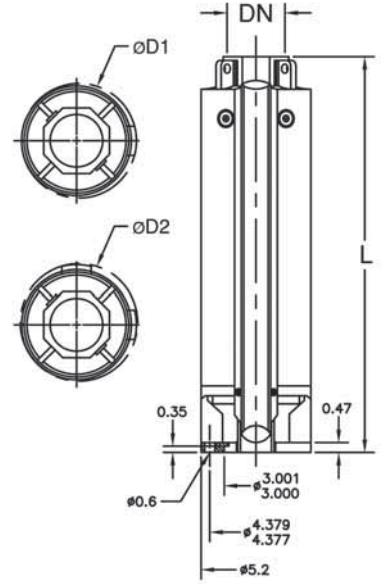
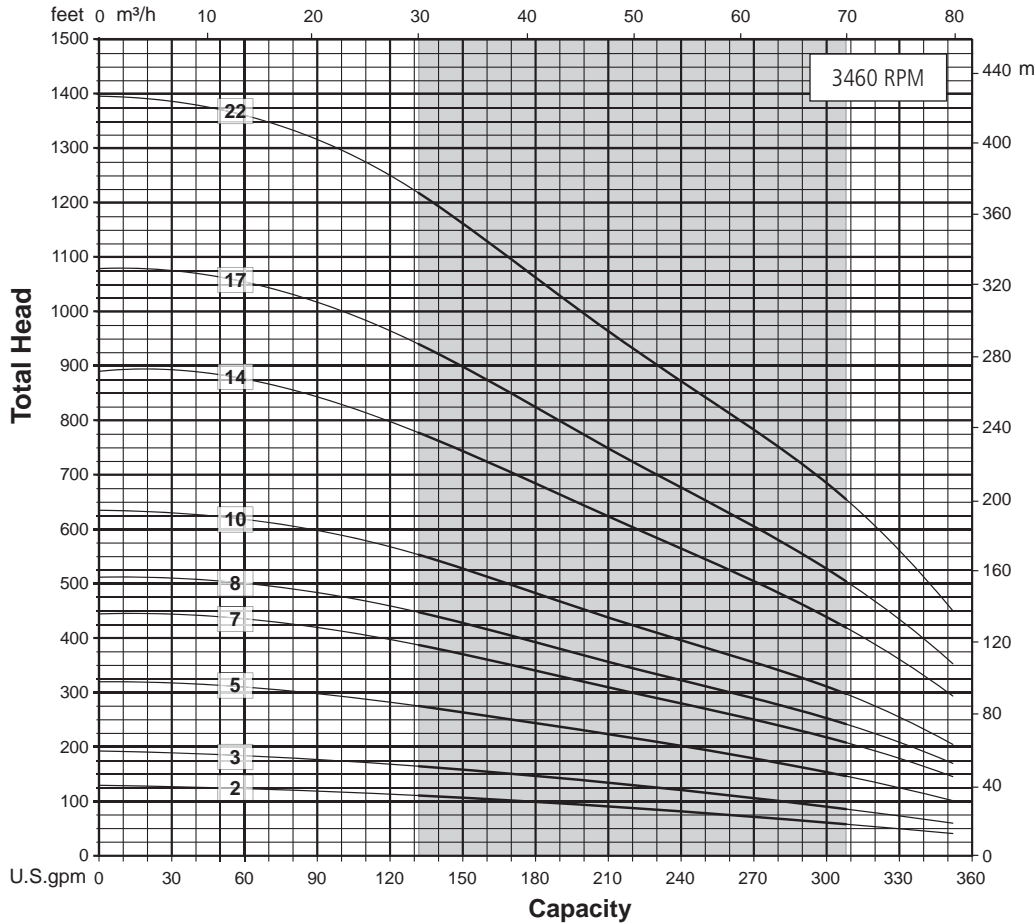


PUMP TYPE	HP	KW	DIMENSIONS		WEIGHT LBS.
			L (inches)	DN	
NS200/3	7.5	5.5	24.4	3" NPT	32
NS200/4	10	7.5	27.8	3" NPT	37
NS200/6	15	11	34.5	3" NPT	47
NS200/8	20	15	41.2	3" NPT	56
NS200/10	25	18.5	48.0	3" NPT	65
NS200/12	30	22	54.7	3" NPT	74
NS200/16	40	30	68.1	3" NPT	93
NS200/20	50	37	81.6	3" NPT	111
NS200/24	60	45	95.0	3" NPT	129

The hydraulic characteristics are guaranteed, according to H.I. standard ASI/HI 14.6-2011, tolerance 2B.

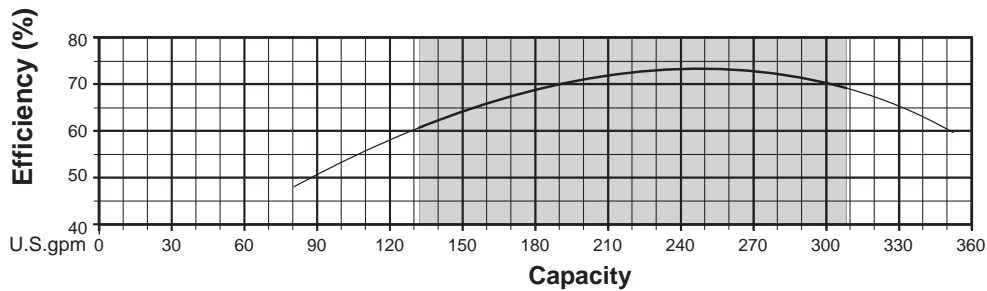
NS SERIES

NS 240



D1 pump = 5.2"
D2 pump + cable guard = 5.7"

The coupling to motor and all the mounting dimensions are in accordance with NEMA standard.

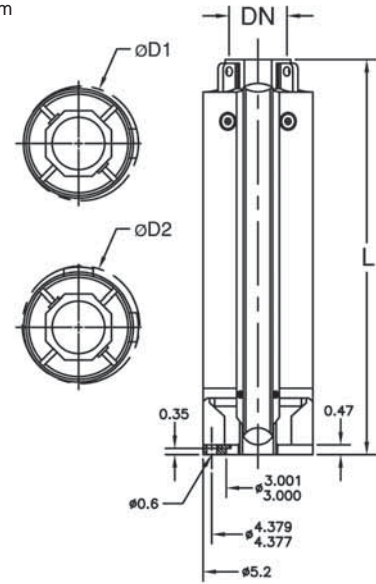
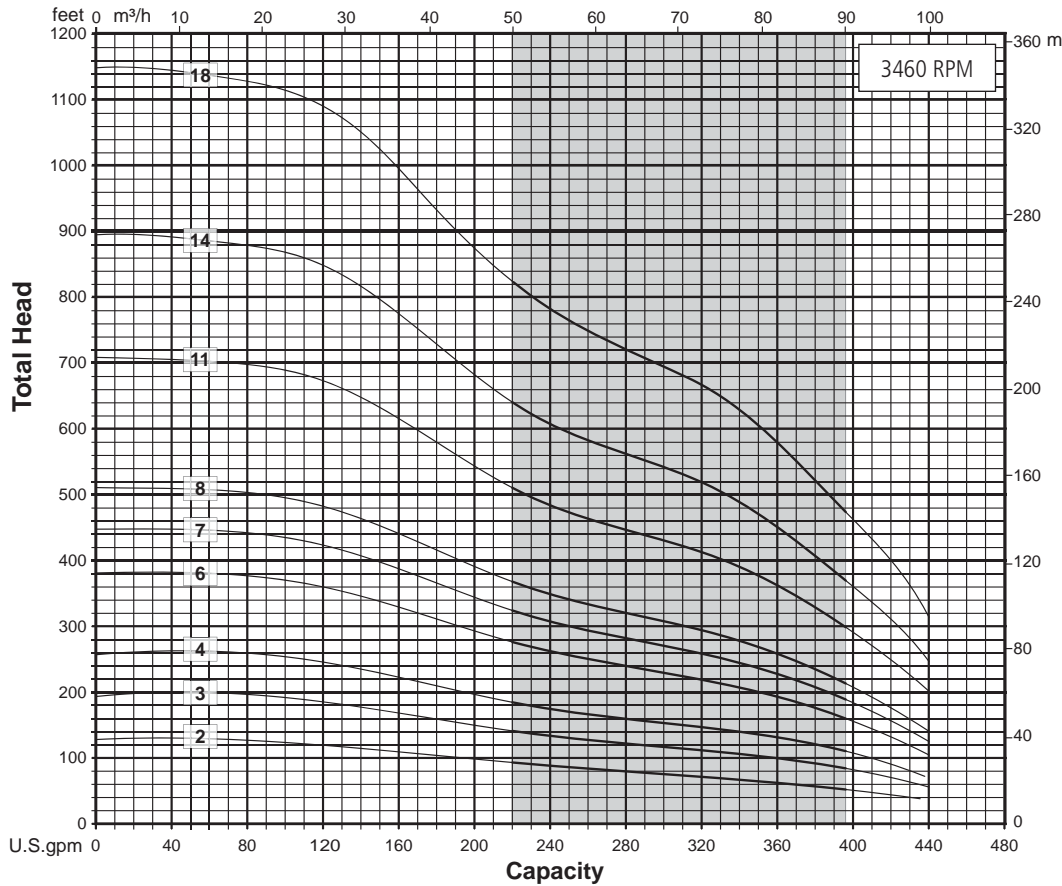


PUMP TYPE	HP	KW	DIMENSIONS		WEIGHT
			L (inches)	DN	LBS.
NS 240/2	7.5	5.5	23.3	4" NPT	24
NS240/3	10	7.5	27.8	4" NPT	30
NS240/5	15	11	36.8	4" NPT	48
NS240/7	20	15	45.7	4" NPT	58
NS240/8	25	18.5	50.2	4" NPT	64
NS240/10	30	22	59.2	4" NPT	77
NS240/14	40	30	77.1	4" NPT	99
NS240/17	50	37	90.6	4" NPT	116
NS240/22	60	45	113.0	4" NPT	144

The hydraulic characteristics are guaranteed, according to H.I. standard ASI/HI 14.6-2011, tolerance 2B.

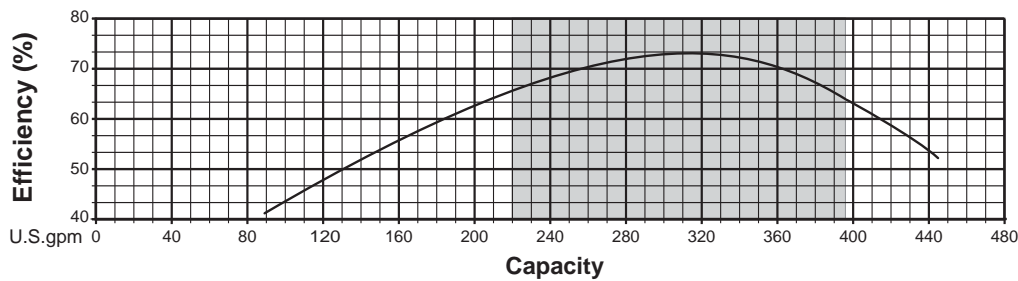
NS SERIES

NS 320



D1 pump = 5.2"
D2 pump + cable guard = 5.7"

The coupling to motor and all the mounting dimensions are in accordance with NEMA standard.

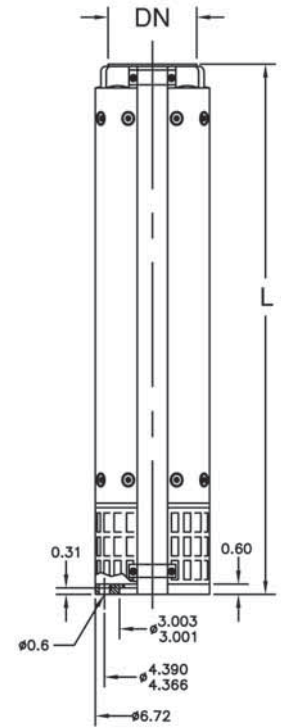
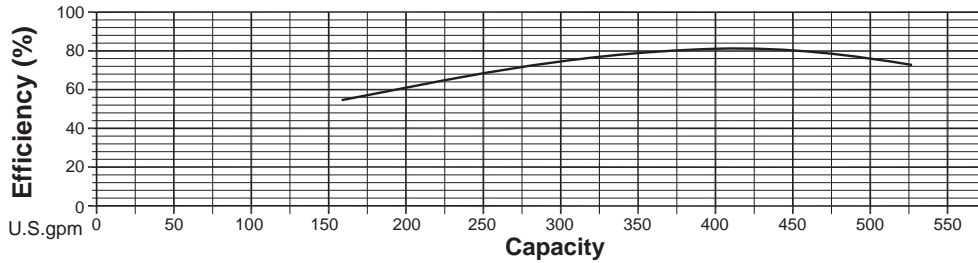
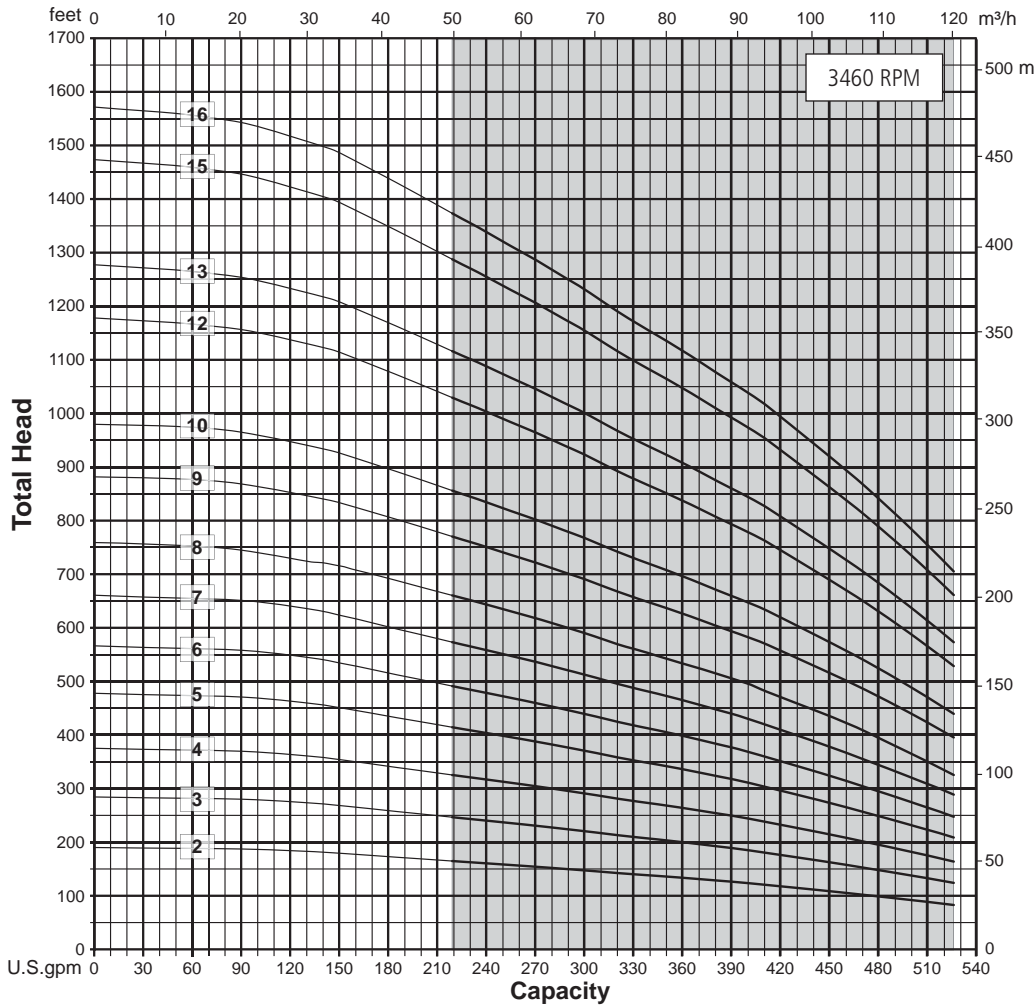


PUMP TYPE	HP	KW	DIMENSIONS		WEIGHT
			L (inches)	DN	LBS.
NS320/2	7.5	5.5	23.3	4" NPT	26
NS320/3	10	9.3	27.8	4" NPT	30
NS320/4	15	11	32.3	4" NPT	35
NS320/6	20	15	41.2	4" NPT	45
NS320/7	25	18.5	45.7	4" NPT	51
NS320/8	30	22	50.2	4" NPT	55
NS320/11	40	30	63.7	4" NPT	70
NS320/14	50	37	77.1	4" NPT	86
NS320/18	60	45	95.0	4" NPT	122

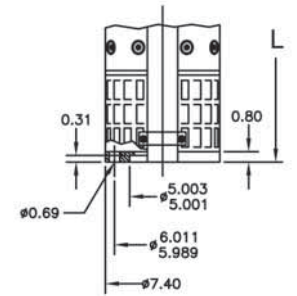
The hydraulic characteristics are guaranteed, according to H.I. standard ASI/HI 14.6-2011, tolerance 2B.

NS SERIES

NS 400



6" Motor Adapter



8" Motor Adapter

PUMP TYPE	HP	KW	DIMENSIONS		WEIGHT
			L (inches)	DN	LBS.
NS400/2	15	11	25.4	5" NPT	70
NS400/3	25	18.5	30.3	5" NPT	81
NS400/4	30	22	35.3	5" NPT	92
NS400/5	40	30	40.2	5" NPT	103
NS400/6	50	37	45.2	5" NPT	114
NS400/7	60	37	50.2	5" NPT	125
NS400/8	60	45	55.1	5" NPT	136
NS400/9	75	55	60.3	5" NPT	147
NS400/10	75	55	65.2	5" NPT	158
NS400/12	100	75	75.2	5" NPT	180
NS400/13	100	75	80.1	5" NPT	191
NS400/15	125	93	90.0	5" NPT	213
NS400/16	125	93	95.0	5" NPT	225

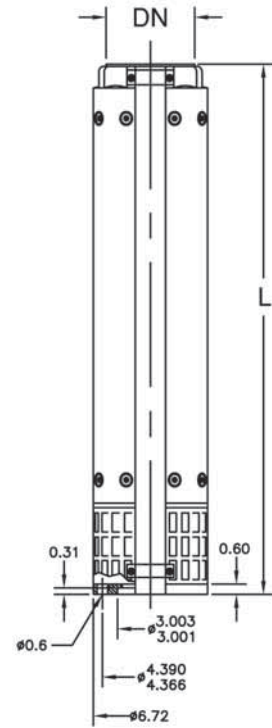
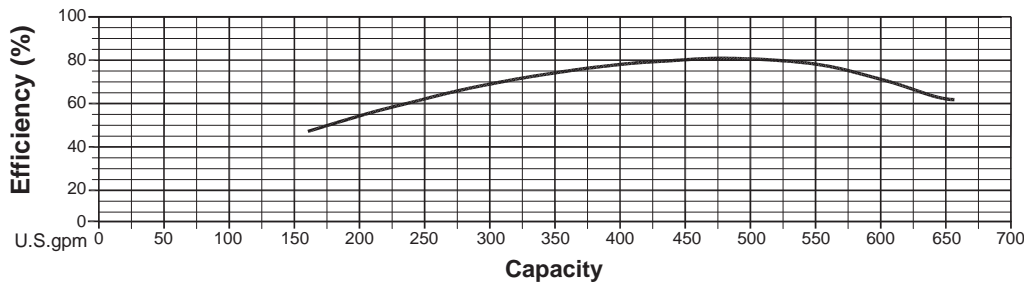
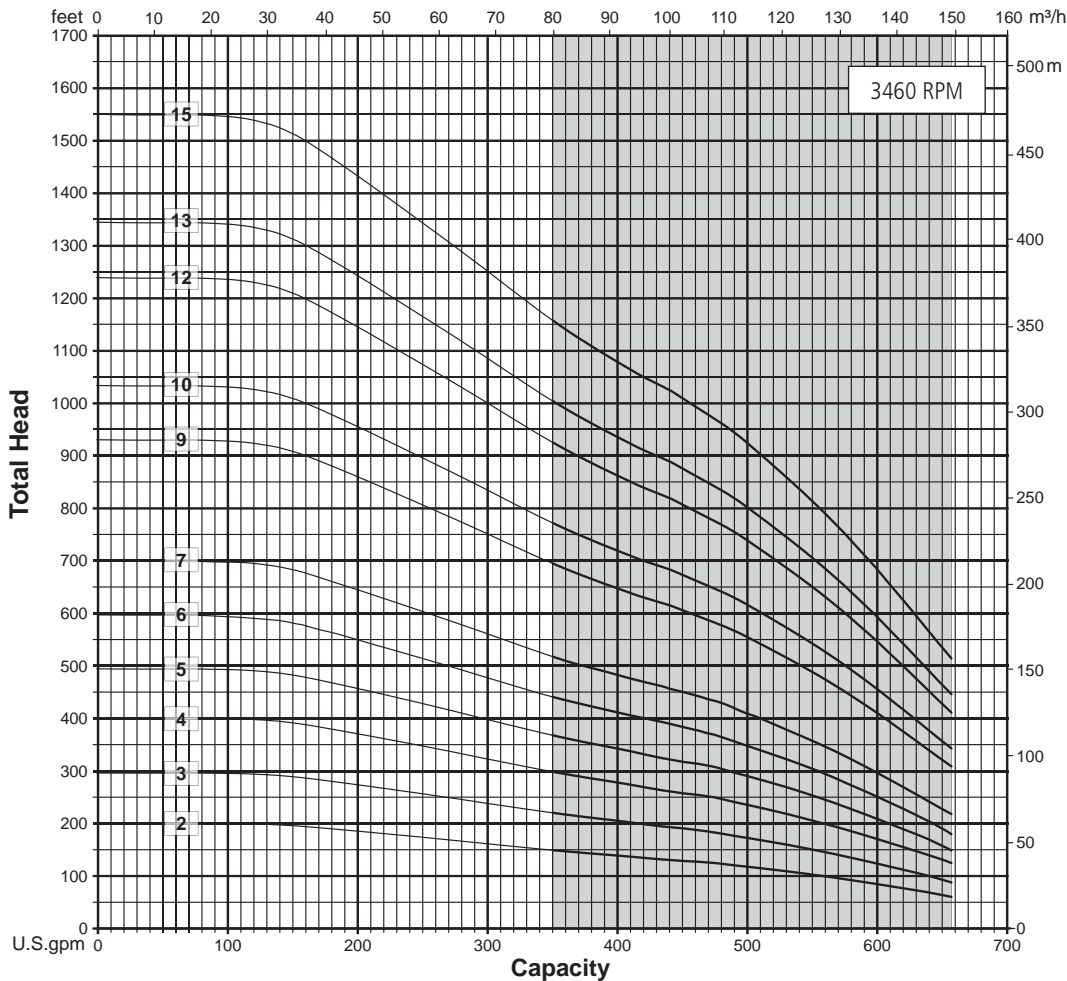
The coupling to motor and all the mounting dimensions are in accordance with NEMA standard.

	D1	D2 WITH CABLE GUARD	EXTERNAL MOTOR DIAMETER
PUMP, 8" WITH 6" MOTOR	7.35"	7.56"	5.38"
PUMP, 8" WITH 8" MOTOR	7.68"	7.78"	7.38"

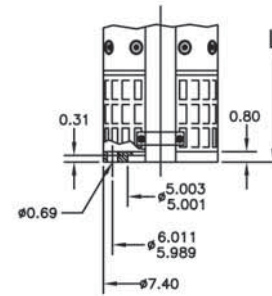
The hydraulic characteristics are guaranteed, according to H.I. standard ASI/HI 14.6-2011, tolerance 2B.

NS SERIES

NS 500



6" Motor Adapter



8" Motor Adapter

PUMP TYPE	HP	KW	DIMENSIONS		WEIGHT
			L (inches)	DN	LBS.
NS500/2	20	15	25.4	5" NPT	70
NS500/3	30	22	30.3	5" NPT	81
NS500/4	40	30	35.3	5" NPT	92
NS500/5	50	37	40.2	5" NPT	103
NS500/6	60	37	45.2	5" NPT	114
NS500/7	75	45	50.2	5" NPT	125
NS500/9	100	75	60.3	5" NPT	147
NS500/10	100	75	65.2	5" NPT	158
NS500/12	125	93	75.2	5" NPT	180
NS500/13	125	93	80.1	5" NPT	191
NS500/15	150	110	90.0	5" NPT	213

The coupling to motor and all the mounting dimensions are in accordance with NEMA standard.

	D1	D2 WITH CABLE GUARD	EXTERNAL MOTOR DIAMETER
PUMP, 8" WITH 6" MOTOR	7.35"	7.56"	5.38"
PUMP, 8" WITH 8" MOTOR	7.68"	7.78"	7.38"

The hydraulic characteristics are guaranteed, according to H.I. standard ASI/HI 14.6-2011, tolerance 2B.

JET PUMPS

SW SERIES SHALLOW WELL

APPLICATION

- ▶ Designed for homes and farms
- ▶ Flows to 25 GPM
- ▶ Pressures to 58 PSI
- ▶ Suction Lift to 25 Feet



FEATURES

- ▶ Rugged cast iron construction with bolt-on shallow well adaptors
- ▶ Noryl® closed impeller design for peak performance
- ▶ High impact diffuser for greater efficiency
- ▶ Clean out ports are tapped for air volume control
- ▶ Drains are bottom located
- ▶ Mechanical seals with carbon/ceramic faces, Buna elastomers, stainless steel metal components
- ▶ ½, ¾ & 1 HP square flange dual ball bearing motors are built to NEMA standard, 1 phase, 115 or 230 volt settings with voltage change switch, 3500 RPMS, 60 HZ, capacitor start, automatic reset overload protection

SW SERIES PERFORMANCE RATINGS

MODEL	PART #	HP	SINGLE PHASE VOLTS	NPT INCH		DEPTH TO WATER FEET	TUBE & NOZZLE NUMBER	DISCHARGE PRESSURE PSI					WEIGHT LBS.	
				SUCT.	DISC.			10	20	30	40	50		SHUT OFF PSI
								CAPACITY - U.S. GALLONS PER MINUTE						
SW 50	JSW0504-110S	1/2	115/230	1-¼	¾	5	309/80145	12.6	12.6	10.7	6.5	3	58	40
						10		11.8	11.8	10.1	6	1.9	55	
						15		10.2	10.1	9	4.6	0.5	51	
						20		7.9	7.9	7.7	3.7	0	47	
						25		6.3	6.1	6	2.5	0	43	
SW 75	JSW0754-110S	¾	230/115	1-¼	¾	5	309/10190	22.4	23.1	17	11	4.8	57	45
						10		20.4	20.4	16	9.6	3.2	54	
						15		18	17.9	14.1	7.8	1.2	51	
						20		13.9	13.8	12.4	6.2	0	48	
						25		10.5	10.4	10.4	4.7	0	45	
SW 100	JSW1004-110S	1	230/115	1-¼	¾	5	309/10200	25.4	25.3	19.5	13.2	6.9	58	50
						10		23.8	23.7	18.9	12.4	5.8	55	
						15		20.2	20.1	17	10.8	3.5	53	
						20		15.8	16.2	15.7	8.7	0.5	50	
						25		12.4	12.4	12.2	7.8	0	46	

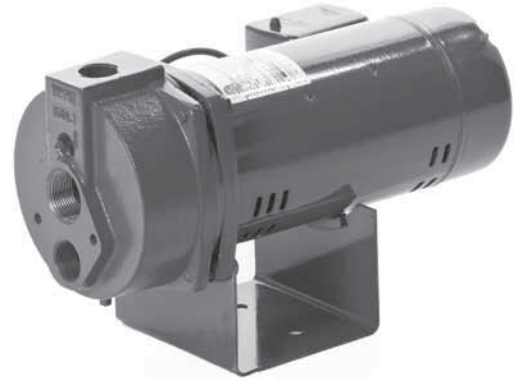
Noryl® is a trademark of General Electric

JET PUMPS

SF SERIES DEEP WELL

APPLICATION

- ▶ Designed for homes and farms
- ▶ Can be used on 2", 4" or larger diameter deep wells
- ▶ Flows to 16 GPM
- ▶ Pressures to 64 PSI
- ▶ Suction Lift to 25 Feet



FEATURES

- ▶ Cast iron pump housing directly coupled to square flanged motors
- ▶ Noryl® closed impeller design for peak performance
- ▶ Drain plugs are bottom located
- ▶ Mechanical Seals with carbon/ ceramic faces, Buna elastomers, stainless steel components
- ▶ ½, ¾, 1 HP, square flange dual ball bearing motor, built to NEMA standard, 1 phase, 115 or 230 volt settings with voltage change switch, 3500 RPM, 60 HZ, capacitor start, automatic reset overload protection
- ▶ Bolt-on ejectors are also available for shallow well or booster application

SF SERIES PERFORMANCE RATINGS

MODEL	PART #	HP	SINGLE PHASE VOLTS	NPT INCH		DEPTH TO WATER FEET	TUBE & NOZZLE NUMBER	DISCHARGE PRESSURE PSI						WEIGHT LBS.
				SUCT.	DISC.			10	20	30	40	50	SHUT OFF PSI	
								CAPACITY - U.S. GALLONS PER MINUTE						
SF 50	JSF0504-110S	1/2	115/230	1-¼	¾	5	SW80145	11.5	11.2	11.2	9.7	6.1	64	40
						10		11	10.4	10.2	8.9	5.5	62	
						15		9.2	9	8.9	8.5	4.4	60	
						20		7.2	7.1	7.1	6.9	3.1	58	
						25		5.1	5.1	5.1	5.1	1.9	56	
SF 75	JSF0504-110S	¾	230/115	1-¼	¾	5	SW80160	14.6	14.5	14.5	12.3	7.3	60	45
						10		14.6	14.5	14.5	12.3	6.4	58	
						15		13.4	13.4	13.4	12	4.9	56	
						20		10.7	10.7	10.6	10.1	2.6	54	
						25		7.4	7.4	7.2	7	1.2	50	
SF 100	JSF1004-110S	1	230/115	1-¼	¾	5	SW80170	15.7	15.6	15.5	15.2	9.6	60	50
						10		15.7	15.6	15.5	15.2	9.2	58	
						15		15.1	14.9	14.9	14.3	6.8	56	
						20		11.7	11.6	11.6	11.5	3.6	53	
						25		8.4	8.6	8.5	8.4	1.2	51	

JET PUMPS

SFH SERIES CONVERTIBLE

APPLICATION

- ▶ Designed for shallow well or deep well water systems.

SHALLOW WELL SPECIFICATIONS

- Flows to 32 GPM
- Pressures to 50 PSI
- Suction Lift to 25 Feet

DEEP WELL SPECIFICATIONS

- Flows to 20 GPM
- Suction Lift to 140 Feet



FEATURES

- ▶ Cast-iron construction
- ▶ Diffuser is cast iron, engineered for smooth water passage
- ▶ Closed impeller design for peak efficiency available in Noryl®
- ▶ Self-priming on shallow well applications and convertible for deep wells
- ▶ Versatile “bolt-on” jet, provides optimum performance on 2-inch and 4-inch wells
- ▶ Pressure Switch is heavy-duty, conforms to rigid specifications for precision, no-drift operation, standard features include straight through wiring, rustproof cover and simple adjustment
- ▶ ½ through 1 ½ HP square flange dual ball bearing motor, built to NEMA Standard, 1 phase, 115 or 230 volt settings, 3500 RPM, 60 HZ, built in overload with automatic reset

SFH SHALLOW WELL SERIES PERFORMANCE RATINGS

MODEL	PART #	HP	SINGLE PHASE VOLTS	NPT INCH		TUBE & NOZZLE NUMBER	DISCHARGE PRESSURE PSI	DEPTH TO WATER FEET					WEIGHT LBS.
				SUCTION	DISCH.			5	10	15	20	25	
								CAPACITY - U.S. GALLONS PER MINUTE					
SFH 50	JSFH0504-110S	1/2	115/230	1-¼	1	SW80145	20	15	13	11	9	7.5	51
							30	15	13	11	9	7.5	
							40	14	11	9.5	8.5	7	52
							50	8	6.5	6	4.5	3.5	
SFH 75	JSFH0754	¾	230/115	1-¼	1	SW80170	20	22.5	20.5	18	15	11	52
							30	22.5	20.5	18	15	11	
							40	22	20.5	18	15	11	53
							50	15	14.5	13	10.5	9	
SFH 100	JSFH1004	1	230/115	1-¼	1	SW80190	20	27.5	25	21	17.5	13	55
							30	27.5	25	32	17.5	13	
							40	27	24	21	17.5	13	56
							50	19	17.5	16.5	15	10	
SFH 150	JSFH1504-110S	1-½	230/115	1-¼	1	SW80210	30	32	32	28	23	18	61
							40	32	32	28	23	18	
							50	22.5	22.5	20	17.5	16	62

SFH DEEP WELL SERIES PERFORMANCE RATINGS

4" DUAL PIPE JETS 1-¼" SUCTION 1" DISCHARGE																
MODEL	PART #	HP	TUBE & NOZZLE NUMBER	DEPTH TO WATER FEET												
				20	30	40	50	60	70	80	90	100	110	120	130	140
				CAPACITY - U.S. GALLONS PER MINUTE												
SFH 50	JSFH0504-110S	1/2	80145	14.3	10.9											
			80130	10	10	10	7.7	5								
			80110	8	8	8	6.3	5	4.3	3.3	3					
SFH 75	JSFH0754-110S	3/4	80160	17	15	14.8										
			80130	11	11	11	10	8.5	6.9	5.4						
			80110	8	8	8	8	7.7	7.3	6.7	6.2	14.3	3.5	3		
SFH 100	JSFH1004-110S	1	80170	18.3	14.8	12										
			80140	14.3	14.3	14.3	12	10.2	8.5	6.7						
			80120	9.5	9.5	9.5	9.5	8.3	7.7	7.1	6.7	6.2	6	5.5		
SFH 150	JSFH1504-110S	1-½	80170	20	15.5	12.3	8.2									
			80140	14.3	14.3	14.3	12.5	10.3	8.8	7.3	5.5	4	2.5			
			80120	9.5	9.5	9.5	9.5	9.5	8.3	7.7	7.3	7	6.8	6.7	3.8	2.8

2" SINGLE PIPE JETS 1-¼" SUCTION 1" DISCHARGE																
MODEL	PART #	HP	TUBE & NOZZLE NUMBER	DEPTH TO WATER FEET												
				20	30	40	50	60	70	80	90	100	110	120	130	140
				CAPACITY - U.S. GALLONS PER MINUTE												
SFH 50	JSFH0504-110S	1/2	80130	13.2	11.7											
			80110	7.7	7.7	6.7	6	4.8	3							
SFH 75	JSFH0754-110S	3/4	80130	10	10	10	9	8	6.7							
			80110	7.7	7.7	7.7	7.7	7.3	6.7	6.3	6	4.7	3			
SFH 100	JSFH1004-110S	1	80140	13.3	13.3	13.3	11.7	9.7	8.3	6						
			80120	9.3	9.3	9.3	9.3	8	7.3	6.7	6.3	6	5	4.7		
SFH 150	JSFH1504-110S	1-½	80140	13.7	13.7	12.2	10	8.7	7	5	3.3					
			80120	9.5	9.5	9.5	9.5	8.3	7.3	7	6.7	6.3	5.7	5		

JET PUMPS

MSH SERIES CONVERTIBLE MULTI-STAGE

APPLICATION

- ▶ Designed for shallow well or deep well water systems.

SHALLOW WELL SPECIFICATIONS

- Flows to 30 GPM
- Pressure to 60 PSI
- Suction Lift to 25 Feet

DEEP WELL SPECIFICATIONS

- Flows to 30 GPM
- Suction Lift to 180 Feet



FEATURES

- ▶ Versatile “bolt-on” jet, for a wide range of applications
- ▶ Heavy-duty pressure switch, conforms to rigid specifications for precision, no-drift operation, with straight through wiring
- ▶ Diffuser is cast-iron, allows for smooth water passage and economical operation, rustproof cover
- ▶ Closed impeller design for peak efficiency, in glass filled Noryl®
- ▶ Mechanical seals with carbon/ceramic faces, Buna elastomers, stainless steel components
- ▶ Close mounted NEMA “J” standard, 1 phase motors, dual voltage with voltage change switch on ¾ to 1 ½ HP models, 2 HP are 230 volts, 3500 RPM, 60 HZ, capacitor start, dual ball bearings, with built-in overload and automatic reset
- ▶ Efficient and heavy-duty regulating valve, adjustable to varying pumping conditions

MSH SHALLOW WELL SERIES PERFORMANCE RATINGS

MODEL	PART #	HP	SINGLE PHASE VOLTS	NPT INCH		TUBE & NOZZLE NUMBER	DISCHARGE PRESSURE PSI	DEPTH TO WATER FEET					WEIGHT LBS.	
				SUCTION	DISCH.			5	10	15	20	25		
								CAPACITY - U.S. GALLONS PER MINUTE						
MSH75	JMSHO754-110C	3/4	230/115	1-¼	1	80170	20	22.5	17.5	15.3	12	9.7	55	
							30	21	17.3	15.2	11.8	9.5		
							40	19.2	17.2	14.8	11.5	9.3		
													50	15
MSH100	JMSH1004-110C	1	230/115	1-¼	1	80190	20	23.5	23.5	23.3	20	14.5	57	
							30	23.5	23.3	23.2	18.7	14.5		
							40	23.5	23.2	22.8	17.7	14.3		
													50	23.5
MSH150	JMSH1504-110C	1-½	230/115	1-¼	1	80210	30	30	29.2	24	24	19.8	66	
							40	29.8	28.2	23.7	23.7	19.2		
							50	29.8	27.5	23.5	23.5	15		
													60	29.8
MSH200	JMSH2004-120C	2	230	1-¼	1	80210	40	30	29.8	29.7	26.7	23.3	72	
							50	30	29.8	29.7	26.7	21.7		
							60	30	29.8	29.7	26.7	21.7		75

JET PUMPS

MSH SERIES

CONVERTIBLE MULTI-STAGE

(CONTINUED)

MSH DEEP WELL SERIES PERFORMANCE RATINGS

4" DUAL PIPE JETS 1-1/4" SUCTION 1" DISCHARGE																
MODEL	PART #	HP	TUBE & NOZZLE NUMBER	DEPTH TO WATER FEET												
				30	40	50	60	70	80	90	100	110	120	130	140	180
				CAPACITY - U.S. GALLONS PER MINUTE												
MSH75	JMSHO754-110C	3/4	80160	15	13.3	12										
			80130	10.5	10.5	10.5	10.5	9.8	8.4	7.5	6.1					
			80110	6	6	6	6	6	6	6	6	5.2	3.3	2.9	2.1	
MSH100	JMSH1004-110C	1	80170	19.3	16	13.3										
			80130	11.2	11.2	11.2	11.2	9.8	8.5	7.5	6.4					
			80110	6.7	6.7	6.7	6.7	6.7	6.7	6.7	6.7	6	3.9	3.5	3.3	
MSH150	JMSH1504-110C	1-1/2	80190	28.2	23.7	19.2										
			80150	12	12	12	12	12	11.9	11	10.1					
			80110	8	8	8	8	8	8	8	8	6.7	6.5	6.5	6.3	4.8
MSH200	JMSH2004-120C	2	80210	30	28.2	23.3										
			80150	12.2	12.2	12.2	12.2	12.2	12	11.7	11.2	11	10	8.7	6.8	4
			80110	8	8	8	8	8	8	8	8	7.7	6.7	6.5	6	5.3

2" SINGLE PIPE JETS 1-1/4" SUCTION 1" DISCHARGE																
MODEL	PART #	HP	TUBE & NOZZLE NUMBER	DEPTH TO WATER FEET												
				30	40	50	60	70	80	90	100	110	120	130	140	180
				CAPACITY - U.S. GALLONS PER MINUTE												
MSH75	JMSHO754-110C	3/4	80130	10	10	10	9.3	9	7.2	6.3						
			80110	5.5	5.5	5.5	5.5	5	4.8	3.8	3	2	1.8			
MSH100	JMSH1004-110C	1	80130	10.5	10.5	10.5	10	9.7	7.7	6.5	5					
			80110	6	6	6	6	6	6	6	5.3	5.2	4.8	4.5	2.3	
MSH150	JMSH1504-110C	1-1/2	80130	11.8	11.8	11.8	11.8	11.8	11.5	10	9.8					
			80110	7	7	7	7	7	7	7	7	6.3	5.5	5.3	4.8	4.3
MSH200	JMSH2004-120C	2	80130	12	12	12	12	12	11.8	11.7	10.5	10.5	9.7	7.7	6.5	3.5
			80110	7.2	7.2	7.2	7.2	7.2	7.2	7	7	6.8	6.5	6.2	5.5	5

JET PUMPS

MSV SERIES VERTICAL MULTI-STAGE

APPLICATION

- ▶ Designed for deep well water systems
- ▶ Various jets are available for a wide range of applications
- ▶ Flows up to 28 GPM
- ▶ Suction Lift to 200 Feet



FEATURES

- ▶ Available from ¾ through 2 HP motors
- ▶ NEMA "J" standard 1 phase motors, dual voltage with voltage change switch on ½ to 1 ½ HP models, 2 HP are 230 volts, 3500 RPM, 60 HZ, capacitor start, dual ball bearings, built-in overload with automatic reset
- ▶ Closed impeller design, available in glass filled Noryl®
- ▶ Mechanical seals with carbon/ceramic faces, Buna elastomers, stainless steel components
- ▶ Heavy-duty pressure switch, conforms to rigid specifications for precision, no-drift operation, straight through wiring, rustproof cover and simple adjustment
- ▶ Accurately engineered cast iron diffuser for smooth water passage, peak efficiency and economical operation
- ▶ Efficient, heavy-duty regulating valve, adjustable to varying pumping conditions on deep well applications

MSV PRODUCT INFORMATION

MODEL	PART #	HP	SINGLE PHASE VOLTS	NPT INCH		WEIGHT LBS.
				SUCT.	DISC.	
MSV75	JMSV0754-110C	¾	230/115	1-¼	1	59
MSV100	JMSV1004-110C	1				61
MSV150	JMSV1504-110C	1-½				70
MSV200	JMSV2004-120C	2	230			76

Noryl® is a trademark of General Electric

JET PUMPS

MSV SERIES

VERTICAL MULTI-STAGE

(CONTINUED)

MSV DEEP WELL SERIES PERFORMANCE RATINGS

4" DUAL PIPE JETS 1-¼" SUCTION 1" DISCHARGE																
MODEL	HP	TUBE & NOZZLE NUMBER	DEPTH TO WATER FEET													
			30	40	50	60	70	80	90	100	110	120	130	140	180	200
			CAPACITY - U.S. GALLONS PER MINUTE													
MSV75	¾	80160	15	13.3	12											
		80130	10.5	10.5	10.5	10.5	9.8	8.4	7.5	6.1						
		80110	6	6	6	6	6	6	6	6	5.2	3.3	2.9	2.1		
MSV100	1	80130	11.2	11.2	11.2	11.2	9.8	8.5	7.5	6.4						
		80110	6.7	6.7	6.7	6.7	6.7	6.7	6.7	6.7	6	3.9	3.5	3.3		
MSV150	1½	80190	28.2	23.7	19.2											
		80150	12	12	12	12	12	11.9	11	10.1						
		80110	8	8	8	8	8	8	8	8	6.7	6.5	6.5	6.3	4.8	3.5
MSV200	2	80210	28.2	23.3	21											
		80150	12.2	12.2	12.2	12.2	12.2	12.2	11.7	11.2	11					
		80110	8	8	8	8	8	8	8	8	8	7.7	6.7	6.5	6	5.3

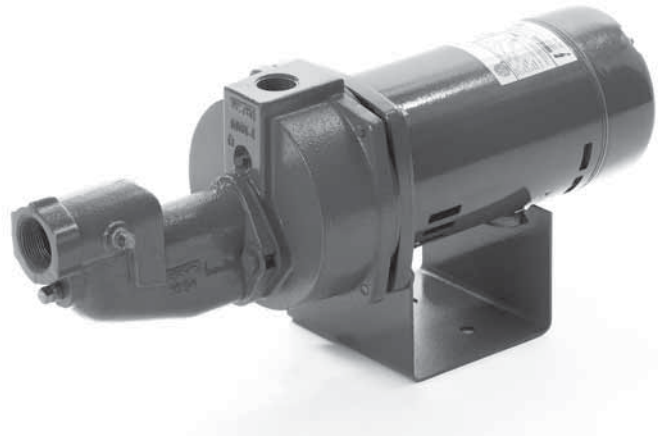
2" DUAL PIPE JETS 1-¼" SUCTION 1" DISCHARGE																
MODEL	HP	TUBE & NOZZLE NUMBER	DEPTH TO WATER FEET													
			30	40	50	60	70	80	90	100	110	120	130	140	180	200
			CAPACITY - U.S. GALLONS PER MINUTE													
MSV75	¾	80130	10	10	10	9.3	9	7.2	6.3							
		80110	5.5	5.5	5.5	5	4.8	3.8	3	2	1.8	4.8	4.5	2.3		
MSV100	1	80130	10.5	10.5	10.5	10	9.7	7.7	6.5	5						
		80110	6	6	6	6	6	6	6	5.3	5.2	4.8	4.5	2.3		
MSV150	1½	80130	11.8	11.8	11.8	11.8	11.8	11.5	10	9.8						
		80110	7	7	7	7	7	7	7	7	6.3	5.5	5.3	4.8	4.3	4
MSV200	2	80130	12	12	12	12	12	11.8	11.7	10.5	10.5	9.7	7.7	6.5	3.5	
		80110	7.2	7.2	7.2	7.2	7.2	7.2	7	7	6.8	6.5	6.2	5.5	5	4.7

JET PUMPS

SF50SNH SERIES BOOSTER

APPLICATION

- ▶ Designed to pump high pressure, suited for homes and farms
- ▶ Flows to 6.2 GPM
- ▶ Pressures to 86 PSI
- ▶ Suction lift to 25 Feet



FEATURES

- ▶ Rugged cast iron with bolt-on ejector
- ▶ Casing drain plug is bottom located
- ▶ Bolt-on adapter is equipped with a clean-out port
- ▶ NEMA standard ½ HP, 1 phase, square flange motor, 3500 RPM, 60 HZ, capacitor start, dual ball bearings, automatic reset overload protection, dual voltage with voltage change switch
- ▶ Closed impeller design of Noryl® for peak efficiency
- ▶ Mechanical seals with carbon/ceramic faces, Buna elastomers, and stainless steel components

SF50SNH BOOSTER SERIES PERFORMANCE RATINGS

MODEL	PART #	HP	SINGLE PHASE VOLTS	NPT INCH		TUBE & NOZZLE NUMBER	DEPTH TO WATER FEET	DISCHARGE PRESSURE PSI					SHUT OFF PSI	WEIGHT LBS.
				SUCTION	DISCH.			10	20	30	40	50		
								CAPACITY - U.S. GALLONS PER MINUTE						
SF50SNH	JSN0504-1105	1/2	115/230	1-¼	¾	SW80110	5	6.2	6.1	5.9	5.8	5.5	86	50
							10	5.4	5.3	5.2	5	4.6	84	
							15	4.8	4.7	4.6	4.6	4.5	82	
							20	3.8	3.7	3.6	3.6	3.6	80	
							25	2.5	2.5	2.5	2.5	2.5	78	

Noryl® is a trademark of General Electric

CENTRIFUGALS

MSC SERIES MULTI-STAGE

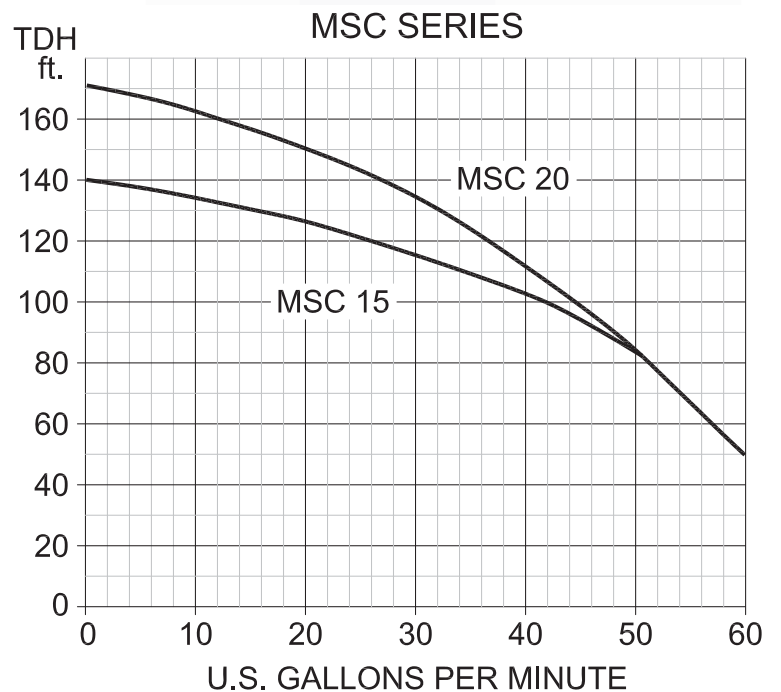
APPLICATION

- ▶ Flows to 62 GPM
- ▶ Pressures to 60 PSI
- ▶ Suction Lift to 25 Feet



FEATURES

- ▶ Made of rugged cast iron
- ▶ Closed impeller design of Noryl® for peak efficiency
- ▶ Mechanical seals with carbon/ceramic faces, Buna elastomers, stainless steel components, optional seals are available
- ▶ NEMA "J," 3500 RPM, 60 HZ, dual ball bearings, 1 phase or 3 phase motor, 1 phase is capacitor start, dual voltage with voltage change switch for 1 ½ HP and 230 volts for 2 HP



MSC SERIES PERFORMANCE RATINGS

MODEL	PART #	HP	VOLTS	PHASE	NPT INCH		DISC. HEAD		SUCTION LIFT IN FEET					WEIGHT LBS.
					SUCT.	DISC.	PSI	FEET	5	10	15	20	25	
									CAPACITY - U.S. GALLONS PER MINUTE					
2 STAGES		1-½	115/230	1	1-¼	1	20	46	62	62	62	62	53	83
MSC 15	CMS15004-110C						30	69	55	55	55	53	50	
MSC 153	CMS15004-320C		230/460	3			40	92	46	46	45	40	35	
							50	115	31	30	21			
3 STAGES		2	230	1	1-¼	1	20	46	55	58	52	58	50	86
MSC 20	CMS20004-120C						30	69	55	55	55	55	50	
							40	92	46	46	46	46	46	
MSC 203	CMS20004-320C		230/460	3			50	115	40	40	39	39	36	
							60	138	28	28	28	23	20	

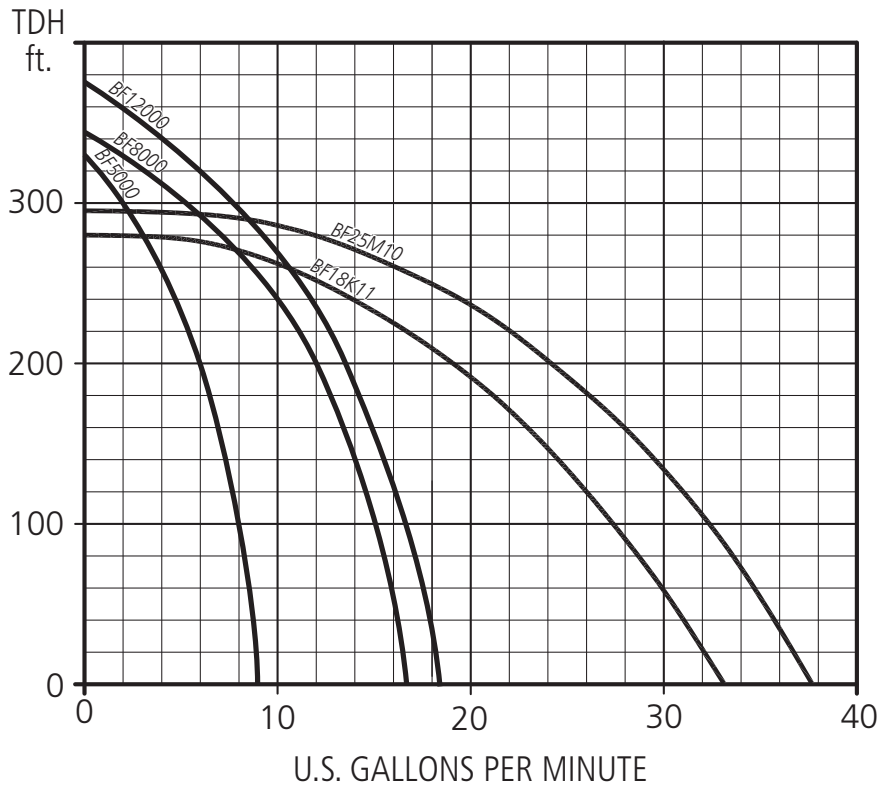
Noryl® is a trademark of General Electric

BOOSTER PUMPS

BF SERIES

FEATURES

- ▶ Cast handle for easy mobility
- ▶ Stainless steel wear rings
- ▶ Self-lubricating alignment bearings
- ▶ Locked staging for extra-long life
- ▶ Heavy duty 56 frame motor designed for continuous operation
- ▶ High pressure seal
- ▶ O'ring construction for positive sealing
- ▶ Heavy duty bronze self-aligning shaft adapter
- ▶ Heavy duty cast iron suction and discharge housing
- ▶ Designed for hot and humid working conditions



BOOSTER PUMPS PRODUCT INFORMATION

MODEL	PART #	HP	SINGLE PHASE VOLTS	NPT INCH		U.S. GPM AT PSI PRESSURE BOOST				WEIGHT LBS.
				SUCT.	DISC.	50 PSI	75 PSI	100 PSI	125 PSI	
						CAPACITY - U.S. GALLONS PER MINUTE				
BF5000	BFC05P14-110C	1/2	115/230	3/4	1-1/4	8	7	5	2.5	38
BF8000	BFC08C14-110C	3/4	115/230			14	13	10	7	40
BF12000	BFC12J14-110C	1	115/230			16	15	12	9	42
BF18K11	BFC18K11-110C	1	115/230	1	1	26	24	22	0	40
BF25M10	BFC25M10-110C	1-1/2	115/230			31	28	27	0	43

LAWN SPRINKLER

SFLP SERIES SELF-PRIMING

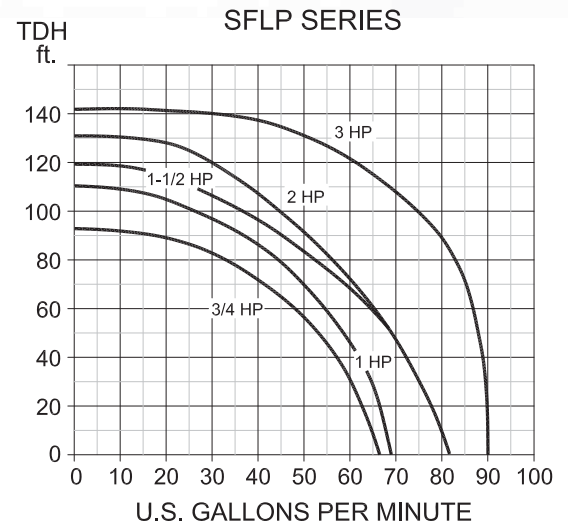
APPLICATION

- ▶ Designed for lawn sprinkling, irrigation and more
- ▶ Flows to 87 GPM
- ▶ Pressures to 62 PSI
- ▶ Suction Lift to 25 Feet



FEATURES

- ▶ High capacity, high volume
- ▶ Cast iron pump body and mounting ring for long life
- ▶ Noryl® impeller
- ▶ NEMA "J" capacitor start, double ball bearing motors for continuous operation, ¾ through 3 HP, 1 or 3 phase options
- ▶ Easy access drain
- ▶ Rapid self-priming characteristics under maximum suction conditions



SFLP SERIES SELF-PRIMING LAWN SPRINKLER PUMP PERFORMANCE RATINGS

MODEL	PART #	HP	SINGLE PHASE VOLTS	NPT INCH		SUCTION LIFT FEET	DISCHARGE PRESSURE PSI							SHUT OFF PSI	WEIGHT LBS.
				SUCT.	DISC.		20	25	30	35	40	45			
							CAPACITY - U.S. GALLONS PER MINUTE								
SFLP75	CSF07504-110S	3/4	230/115	2	1-1/2	5		49	40	28			40	59	
						10	54	47	36	23			38		
						15	50	43	31				36		
						20	46	37	20				33		
						25	38	30					31		
SFLP100	CSF10004-110S	1	230/115	2	1-1/2	5		56	49	40	31		47	63	
						10		55	47	38	26		45		
						15	59	50	42	30	15		43		
						20	53	46	37	18			39		
						25	45	42	28				36		
SFLP150	CSF15004-110S	1-1/2	230/115	2	1-1/2	5		70	62	56	47	39	14	51	66
						10	69	60	55	46	38	13	49		
						15	67	58	51	42	30	10	47		
						20	60	50	46	35	20		44		
						25	49	44	39	30			41		
SFLP200	CSF20004-120S	2	230	2	1-1/2	5		72	65	60	54	46	37	57	72
						10	70	63	59	50	42	32	54		
						15	68	60	56	47	38	26	52		
						20	60	55	50	42	35	22	50		
						25	49	46	44	38	30		47		
SFLP300	CSF30004-120S	3	230	2	1-1/2	5		87	86	85	84	77	70	62	72
						10	86	86	85	84	77	70	60		
						15	84	83	81	80	75	68	58		
						20	72	71	70	69	68	61	56		
						25	56	55	53	52	51	50	53		

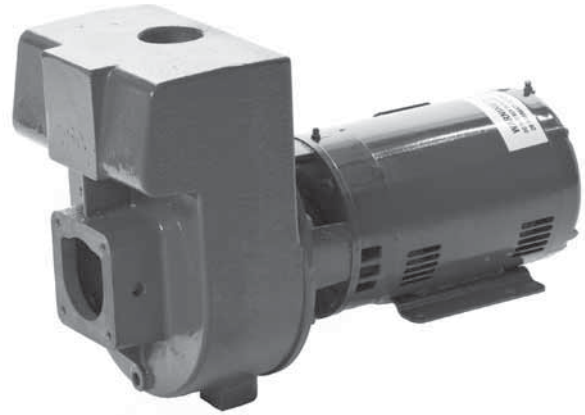
Noryl® is a trademark of General Electric

CENTRIFUGALS

BMLS SERIES SELF-PRIMING

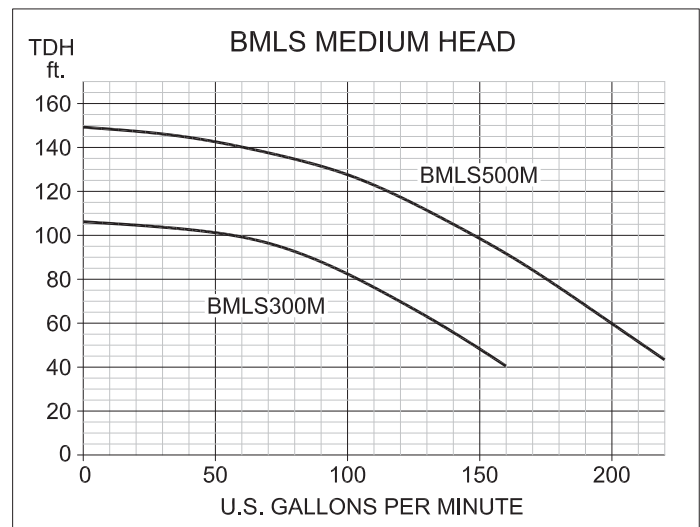
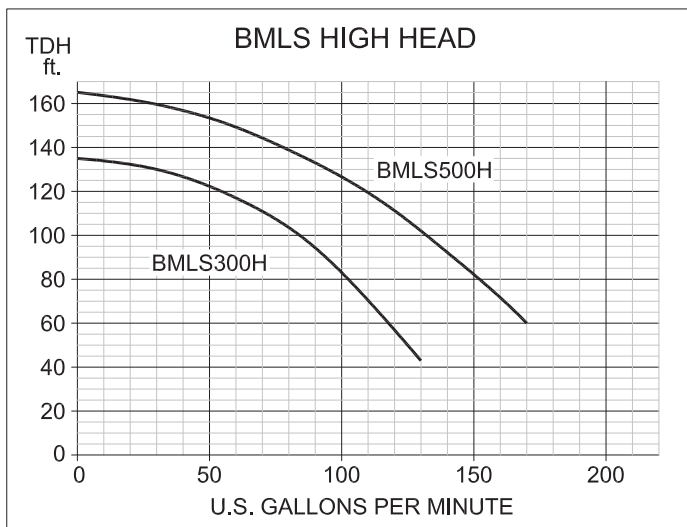
APPLICATION

- ▶ Suited for lawn sprinkling applications
- ▶ Flows to 218 GPM
- ▶ Pressures to 50 PSI
- ▶ Suction Lift to 25 Feet
- ▶ One of the fastest self-priming pumps on the market



FEATURES

- ▶ Available in high and medium head
- ▶ Leak-proof mechanical seals, carbon/ceramic faces, Buna elastomers, stainless steel components, optional seals are available
- ▶ Heavy duty motors, NEMA "J," 3500 RPM, 60 HZ, dual ball bearings, 1 phase are capacitor start, 230 volts or 3 phase are 230/460 volts



BMLS 3 & 5 HP PERFORMANCE RATINGS

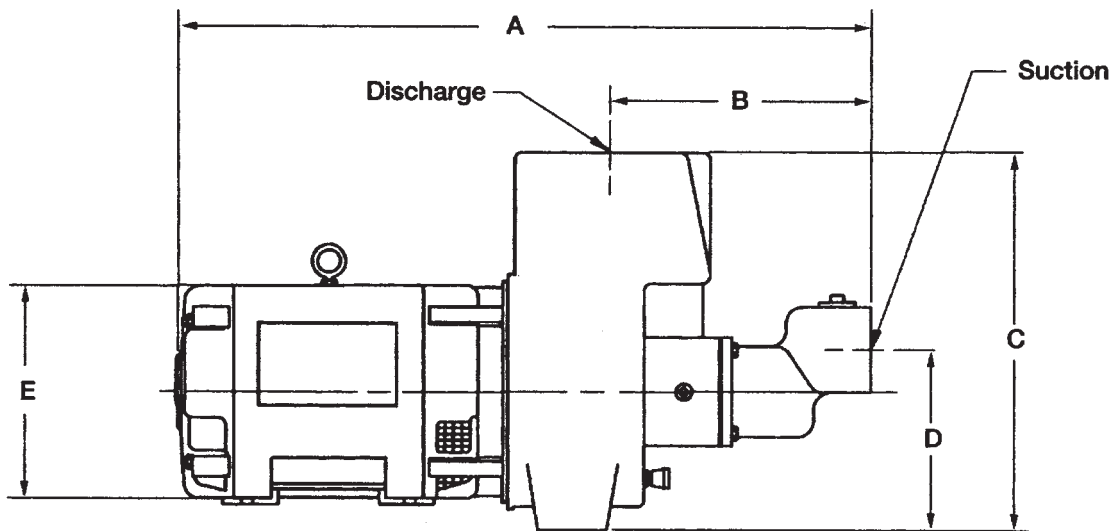
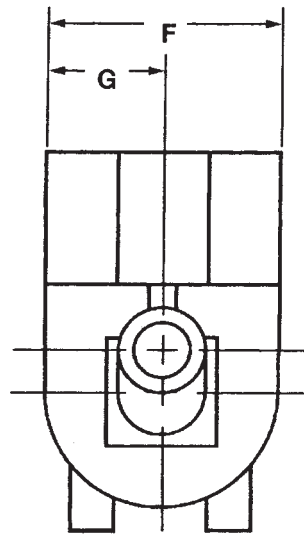
MODEL	PART #	HP	VOLTS	PHASE	NPT INCH		DISCHARGE HEAD		SUCTION LIFT IN FEET					WEIGHT LBS.	
					SUCT.	DISC.	PSI	FEET	5	10	15	20	25		
									CAPACITY - U.S. GALLONS PER MINUTE						
BMLS-300H	CBM300H5-120J	3	230	1	2	1-½	20	46	123	120	108	98	70	144	
BMLS-300H-3	CBM300H5-330J						230/460	3	30	69	108	105	98		94
			40	92			87	82	76	70	62				
			50	115			60	52	44	33	18				
BMLS-500H	CBM500H5-120J	5	230	1	2-½	2	20	46	162	160	151	140	98		182
BMLS-500H-3	CBM500H5-330J						230/460	3	30	69	160	158	150		
			40	92			146	141	136	130	96				
			50	115			118	115	104	94	94				
		60	138	80	71	54	28								
BMLS-300M	CBM300M5-120J	3	230	1	2-½	2	20	46	156	150	140	135	100	144	
BMLS-300M-3	CBM300M5-330J						230/460	3	30	69	124	116	108		
			40	92			84	76	40	30	30				
			50	115			118	115	104	94	94				
BMLS-500M	CBM500M5-120J	5	230	1	3	2-½	20	46	218	212	206	198	172		182
BMLS-500H-3	CBM500M5-330J						230/460	3	30	69	190	182	176		
			40	92			160	148	140	136	126				
			50	115			118	116	90	72	36				

CENTRIFUGALS

BMLS SERIES

SELF-PRIMING

(CONTINUED)



BMLS 3 & 5 HP DIMENSIONAL INFORMATION

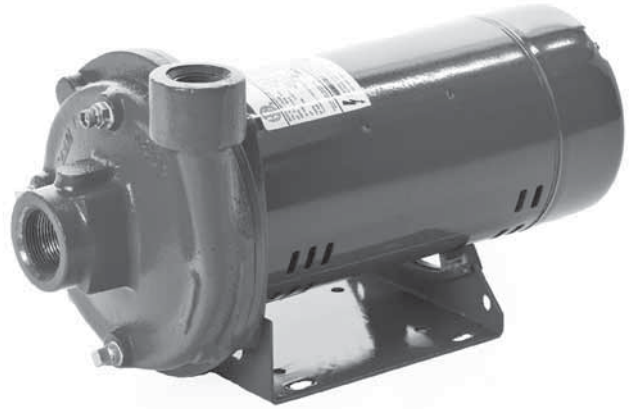
MODEL	HP	VOLTS	PHASE	SUCT.	DISC.	A	B	C	D	E	F	G	WEIGHT LBS.
CBM300H5-120J	3	230	1	2	1-½	25.50	7.44	13.25	6.50	9.38	9.25	4.75	144
CBM300H5-330J		208-230/460	3			23.50	7.44	13.25	6.69	7.19	9.25	4.75	
CBM500H5-120J	5	230	1	2-½	2	27.25	8.44	13.25	7.44	8.56	9.25	4.75	182
CBM500H5-330J		208-230/460	3			25.75	8.44	13.25	7.44	9.38	9.25	4.75	
CBM300M5-120J	3	230	1	2-½	2	26.50	8.44	13.25	7.44	9.38	9.25	4.75	144
CBM300M5-330J		208-230/460	3			24.50	8.44	13.25	7.44	7.19	9.25	4.75	
CBM500M5-120J	5	230	1	3	2-½	27.25	8.44	13.25	7.44	8.56	9.25	4.75	182
CBM500MS-330J		208-230/460	3			25.75	8.44	13.25	7.44	9.38	9.25	4.75	

CENTRIFUGALS

EC SERIES END SUCTION

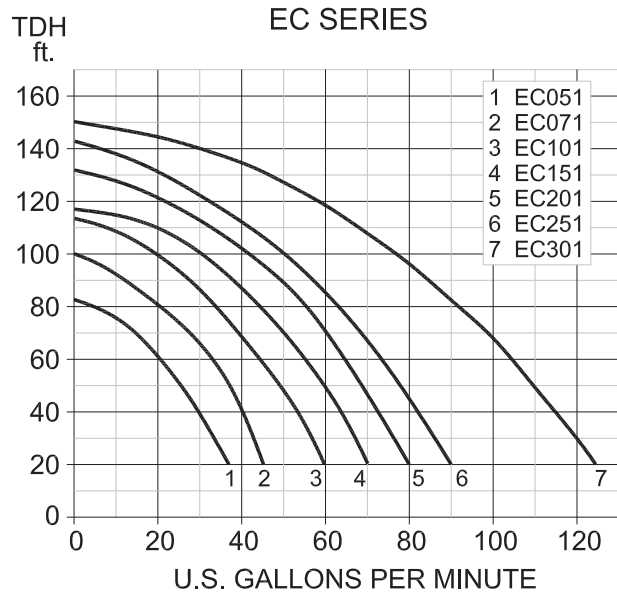
APPLICATION

- ▶ Ideal for many booster applications
- ▶ Flows to 100 GPM
- ▶ Pressures to 60 PSI



FEATURES

- ▶ Rugged cast iron pump housing and back plate close coupled to square flange motor
- ▶ Closed impeller design of Noryl® for peak efficiency
- ▶ Mechanical seals with carbon/ceramic faces, Buna elastomers, stainless steel components, optional seals are available
- ▶ Square flange motors provide for simple back pull out for service without disturbing pipe connections
- ▶ NEMA standard, 3500 RPM, 60 HZ capacitor start motors, dual ball bearings, automatic reset overload protection, 1/2 through 1 1/2 HP are dual voltage with voltage change switch, 2 through 3 HP are 230 volts



EC PERFORMANCE RATINGS

MODEL	PART #	HP	PHASE VOLTS	NPT INCH		WEIGHT LBS.	
				SUCT.	DISC.		
EC-051	CEC05004-110S	1/2	115/230	1-1/4	1	35	
EC-071	CEC07504-110S	3/4	230/115			54	46
EC-101*	CEC10004-110S	1					47
EC-151*	CEC15004-110S	1-1/2	230	1-1/2	1-1/4		52
EC-201	CEC20004-120S	2		2	1-1/2	54	
EC-251	CEC25004-120S	2-1/2				55	
EC-301	CEC30004-120S	3				58	

*Available in 1-1/2" / 1-1/4" suction discharge connections. Please specify.
All models are available in 3 phase - specify voltage.

Noryl® is a trademark of General Electric



Delivering Pump and Pump Systems
Reliability, Quality
and Service Since 1969

Proud member of American Petroleum Institute and these organizations:



Creating Quality Pump Systems and Satisfied Customers

ARIZONA *(Main Office)*

7706 N. 71st Avenue, Glendale, AZ 85303-1703
(623) 979-3560 • Fax (623) 979-2177
(800) 966-5240



FLORIDA

195 E. 3rd Street, Zolfo Springs, FL 33890
(863) 735-8222 • Fax (863) 735-8202
(800) 994-3045

GEORGIA

902 East Union Street, Vienna, GA 31092
(229) 268-2921 • Fax (229) 268-7136
(800) 741-2921

MISSISSIPPI

11176 Green Valley Drive, Olive Branch, MS 38654
(662) 895-1110 • Fax (662) 895-5083
(866) 668-4914

TEXAS

4229 Adrian Street, Lubbock, TX 79415
(806) 745-5396 • Fax (806) 745-6668
(800) 745-5393
109 North Richey Street, Pasadena, TX 77506
(713) 641-6818 • Fax (713) 641-4569
(800) 231-0590

Visit us on the web at: www.nationalpumpcompany.com