

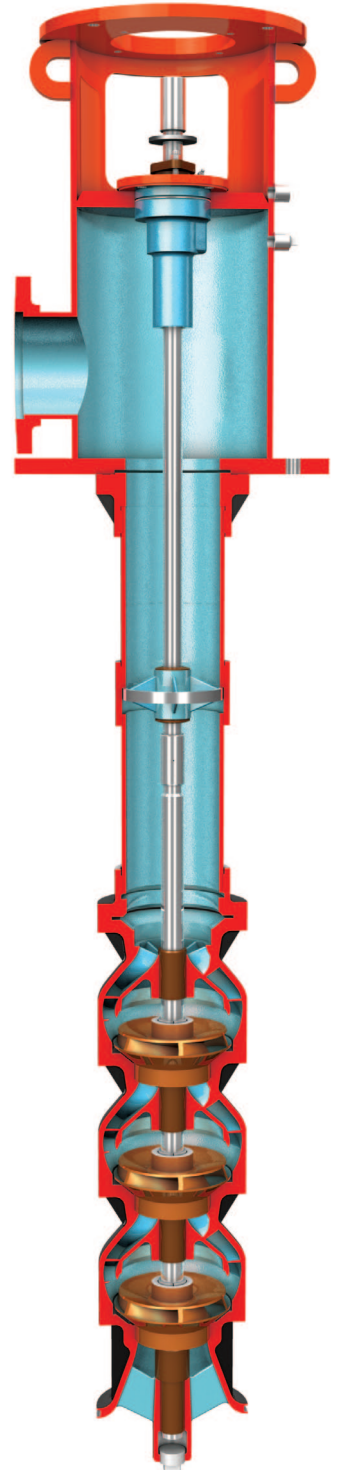
# Safe Clean Drinking Water **IT MATTERS!**

Pumps CERTIFIED to:  
**NSF/ANSI 61 Annex G**  
**NSF/ANSI 372**

Conforming to the **lead free** requirements  
of the U.S. Safe Drinking Water Act.



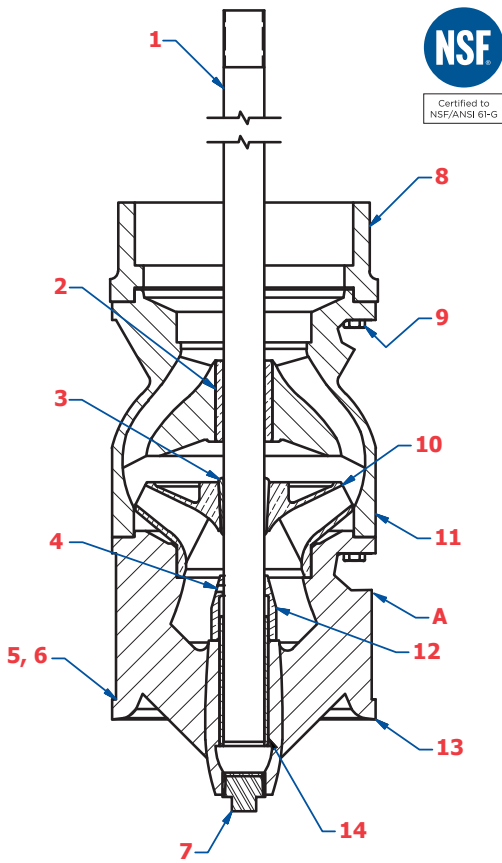
Certified to  
NSF/ANSI 61-G



QR Code takes you to the NSF link.



PERFORMANCE | QUALITY | SERVICE | TRUST



Certified to NSF/ANSI 61-G

## VERTICAL TURBINE PUMPS

### PRODUCT LUBRICATED

6" - 30" Diameter Designs | Flows to 20,000 GPM | Heads to 1,500 FT  
 Certified to NSF/ANSI 61-G and NSF/ANSI 372 per the materials below.

REF #	DESCRIPTION	MATERIAL
1	BOWL SHAFT	416 STAINLESS STEEL UNS 41600
2	BOWL BEARING	BISMUTH BRONZE C89835
3	IMPELLER COLLET	316 STAINLESS STEEL UNS S31600
4	SET SCREW	316 STAINLESS STEEL UNS S31600
5	NAME PLATE, BOWL ASSEMBLY	304 STAINLESS STEEL UNS S30400
6	DRIVE SCREWS	303 STAINLESS STEEL UNS S30300
7	BOTTOM PLUG	304 STAINLESS STEEL UNS S30400
8	COLUMN ADAPTOR	CAST IRON ASTM A48
9	HEX HEAD CAP SCREW	316 STAINLESS STEEL UNS 31600
10	IMPELLER	BRONZE C87600
11	BOWL	CAST IRON ENAMEL LINED ASTM A48 OR DUCTILE IRON ASTM A536
12	SAND COLLAR	BISMUTH BRONZE C89835
13	SUCTION BELL	CAST IRON ASTM A48
14	SUCTION BEARING	BISMUTH BRONZE C89835
A	NSF APPROVED COATING (Opt.)	TNEMEC SERIES N140 POTA-PAX PLUS

*Column Pipe, Discharge Head, Line Shaft Assembly and Stuffing Box Assembly are in compliance with NSF/ANSI 61.*

## SUBMERSIBLE TURBINE PUMPS

6" - 30" Diameter Designs | Flows to 20,000 GPM | Heads to 1,500 FT  
 Certified to NSF/ANSI 61-G and NSF/ANSI 372 per the materials below.

REF #	DESCRIPTION	MATERIAL
1	BOWL BEARING	BISMUTH BRONZE C89835
2	IMPELLER COLLET	316 STAINLESS STEEL UNS S31600
3	IMPELLER	BRONZE C87600
4	BOWL	CAST IRON ENAMEL LINED ASTM A48 OR DUCTILE IRON ASTM A536
5	SUBMERSIBLE SUCTION CASE	DUCTILE IRON ASTM A536
6	INLET SCREEN	304 STAINLESS STEEL UNS S30400
7	BOWL SHAFT	416 STAINLESS STEEL UNS S41600
8	COLUMN ADAPTER	CAST IRON ASTM A48
9	SUBMERSIBLE THRUST COLLAR	316 STAINLESS STEEL UNS S31600
10	SET SCREW	316 STAINLESS STEEL UNS S31600
11	HEX HEAD CAP SCREW	316 STAINLESS STEEL UNS S31600
12	NAME PLATE, BOWL ASSEMBLY	304 STAINLESS STEEL UNS S30400
13	DRIVE SCREWS	303 STAINLESS STEEL UNS S30300
14	SUCTION BEARING	BISMUTH BRONZE C89835
15	SUBMERSIBLE MOTOR BRACKET	DUCTILE IRON ASTM A536
A	NSF APPROVED COATING (Opt.)	TNEMEC SERIES N140 POTA-PAX PLUS



Certified to NSF/ANSI 61-G

