

Working Pressure & Temperature

Max Working Pressure:	300PSI / 21 Bar
Working Temperature:	-10°C to 120°C (14°F to 248°F) Fusion bonded epoxy coated interior and exterior RAL3002
Flanged Ends:	ANSI B16.1 Class 125/150 EN1092-2 PN10/PN16 BS10
Valve Standard:	Conforms to AWWA C515 / BS5163

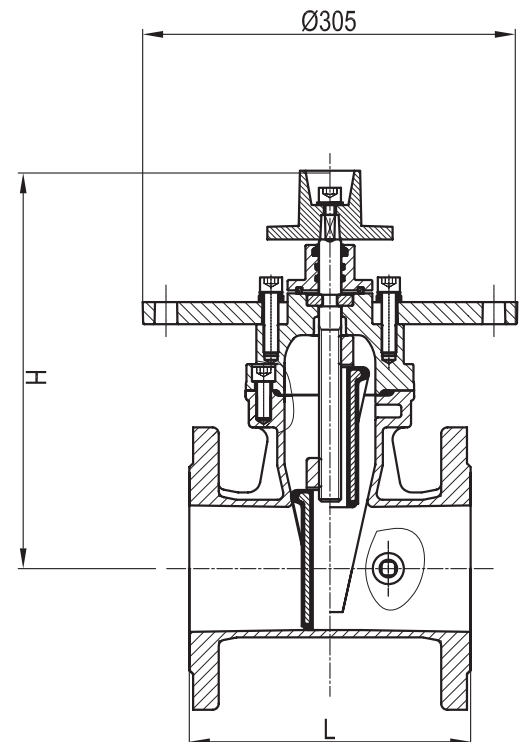


Material List

Component	Material
Body	Ductile Iron ASTM A536 65-45-12
Wedge	Ductile Iron ASTM A536 65-45-12 + EPDM
Disc Nut	Bronze ASTM B62
Stem	Stainless Steel AISI 304/420
Bonnet	Ductile Iron ASTM A536 65-45-12
Gasket	EPDM
Thrust Collar	Bronze ASTM B62
Gland	Ductile Iron ASTM A536 65-45-12
Wrench Nut	Ductile Iron ASTM A536 65-45-12
Post Plate	Ductile Iron ASTM A536 65-45-12

Dimensions Inch (mm) and Weight lbs (kg)

DN	L	H	D	Weight
2 (50)	7.00 (178)	10.98 (279)	12.01 (305)	52.91 (24)
2 ½ (65)	7.50 (191)	10.98 (279)	12.01 (305)	55.78 (25.3)
3 (80)	8.00 (203)	11.99 (304.50)	12.01 (305)	60.63 (27.5)
4 (100)	9.00 (229)	12.01 (305)	12.01 (305)	77.16 (35)
5 (125)	10.00 (254)	15.49 (393.50)	12.01 (305)	92.59 (42)
6 (150)	10.50 (267)	16.85 (428)	12.01 (305)	110.23 (50)
8 (200)	11.50 (292)	21.14 (537)	12.01 (305)	182.98 (83)
10 (250)	13.00 (330)	25.2 (640)	12.01 (305)	272.27 (123.5)
12 (300)	14.00 (356)	28.46 (723)	12.01 (305)	386.91 (175.5)



* Note: 2" is only FM approved.
Design and materials subject to change without notice.

Ordering Information

Description	Size (mm)	Part Number
RASCO, (PN16) FxF, 300PSI PIV, L388F	50 (2")	7U99002346
RASCO, (PN16) FxF, 300PSI PIV, L388F	65 (2 ½")	7U99002347
RASCO, (PN16) FxF, 300PSI PIV, L388F	80 (3")	7U99002348
RASCO, (PN16) FxF, 300PSI PIV, L388F	100 (4")	7U99002349
RASCO, (PN16) FxF, 300PSI PIV, L388F	125 (5")	7U99002350
RASCO, (PN16) FxF, 300PSI PIV, L388F	150 (6")	7U99002351
RASCO, (PN16) FxF, 300PSI PIV, L388F	200 (8")	7U99002352
RASCO, (PN16) FxF, 300PSI PIV, L388F	250 (10")	7U99002353
RASCO, (PN16) FxF, 300PSI PIV, L388F	300 (12")	7U99002354

Description	Size (mm)	Part Number
RASCO, (ANSI) FxF, 300PSI PIV, L388F	50 (2")	7U99002355
RASCO, (ANSI) FxF, 300PSI PIV, L388F	65 (2 ½")	7U99002356
RASCO, (ANSI) FxF, 300PSI PIV, L388F	80 (3")	7U99002357
RASCO, (ANSI) FxF, 300PSI PIV, L388F	100 (4")	7U99002358
RASCO, (ANSI) FxF, 300PSI PIV, L388F	150 (6")	7U99002359
RASCO, (ANSI) FxF, 300PSI PIV, L388F	200 (8")	7U99002360
RASCO, (ANSI) FxF, 300PSI PIV, L388F	250 (10")	7U99002361
RASCO, (ANSI) FxF, 300PSI PIV, L388F	300 (12")	7U99002362