



Great Plains

Manufacturing, Inc.
www.greatplainsmfg.com

Seed, Native Grass, Small Seeds and Fertilizer Rate Charts

The following pages are to assist in the proper setting of seeding and fertilizer rates for the 2006- 706NT and 1006NT No-Till Drills.

The rates indicated in the charts are approximate values. To assure the most accurate seeding rate it is recommended that the drill be calibrated for the desired seed at the time of planting.



Table of Contents

Main Seed Box Planting	1	Native Grass Mix.....	21
Select Drive Type	1	Brome Grass	21
Set Seed-Rate Handle	1	Fertilizer Rate	22
Position Seed Cup Doors	2	Fertilizer Rate Charts	23
Checking Seed Rate	2	Rates in Pounds per Acre	23
Rate Charts, Main Seed Box.....	4	Metric Rate Charts	24
Alfalfa	4	Metric Rate Charts, Main Seed Box	24
Barley-Schuyler.....	4	Alfalfa	24
Bermuda Grass.....	5	Barley-Schuyler	25
Buckwheat-Common.....	5	Bermuda Grass	25
Buffalograss	6	Buckwheat-Common.....	26
K-31 Fescue.....	6	Buffalograss	26
Flax or Sudan.....	7	K-31 Fescue.....	27
Eastern Gamma Grass-Pete.....	7	Flax or Sudan.....	27
Kentucky Blue Grass	8	Eastern Gamma Grass-Pete.....	28
Millet.....	8	Kentucky Blue Grass.....	28
Milo	9	Millet.....	29
Oats	9	Milo.....	29
Orchard Grass-Potomac.....	10	Oats.....	30
Peas.....	10	Orchard Grass-Potomac	30
Pinto Beans.....	11	Peas	31
Rape	11	Pinto Beans.....	31
Rice-Short Grain	12	Rape.....	32
Rice-Long Grain-Lamont.....	12	Rice-Short Grain	32
Rye.....	13	Rice-Long Grain-Lamont.....	33
Perennial Rye Grass-Palmer	13	Rye.....	33
Soybeans	14	Perennial Rye Grass-Palmer	34
Sunflowers-Dahlgren Confection	14	Soybeans	34
Wheat-Abeline	15	Sunflowers-Dahlgren Confection	35
Wheat Grass-Buffalo Brand.....	15	Wheat-Abeline.....	35
Small Seeds Attachment	16	Wheat Grass-Buffalo Brand.....	36
Small Seeds Rate Charts	17	Metric Small Seeds Seed Rate Charts	37
Alfalfa, Red Alsike, Crimson Clover	17	Alfalfa, Red Alsike, Crimson Clover	37
Kentucky Bluegrass, Fescue, Annual Rye Grass	17	Kentucky Bluegrass, Fescue, Annual Rye Grass	37
Bermuda, Red Top, Lespedeza Unhulled, Sercia, Sand, Weeping Love Grass	17	Bermuda, Red Top, Lespedeza Unhulled, Sercia, Sand, Weeping Love Grass.....	37
Red & Sweet Clover, Lespedeza Hulled.....	17	Red & Sweet Clover, Lespedeza Hulled.....	37
Orchard Grass	18	Orchard Grass.....	38
Millet, Reed Canary	18	Millet, Reed Canary.....	38
Ladino Clover, Canary Grass, Timothy, Canola	18	Ladino Clover, Canary Grass, Timothy, Canola.....	38
Birdsfoot, Trefoil, Sudan	18	Birdsfoot, Trefoil, Sudan.....	38
Native Grass Attachment	19	Metric Native Grass Seed Rates	39
Checking Seed Rate	19	Metric Fertilizer Rates in Kilograms per Hectare	40
Native Grass Seed Rates.....	21	Sprocket Configurations.....	41

© Copyright 2003, 2006, 2007 All rights Reserved

Great Plains Manufacturing, Inc. provides this publication "as is" without warranty of any kind, either expressed or implied. While every precaution has been taken in the preparation of this manual, Great Plains Manufacturing, Inc. assumes no responsibility for errors or omissions. Neither is any liability assumed for damages resulting from the use of the information contained herein. Great Plains Manufacturing, Inc. reserves the right to revise and improve its products as it sees fit. This publication describes the state of this product at the time of its publication, and may not reflect the product in the future.

Great Plains Manufacturing, Incorporated Trademarks

The following are trademarks of Great Plains Mfg., Inc.: Application Systems, Ausherman, Land Pride, Great Plains

All other brands and product names are trademarks or registered trademarks of their respective holders.

Printed in the United States of America.

Main Seed Box Planting

Calibrating the seeding rate requires four steps:

1. selecting one of four drive types,
2. setting the seed-rate handle,
3. positioning the feed-cup door, and
4. checking the seed rate.

Refer to the seed rate charts beginning on page 4. These charts list the proper drive type and seed-rate-handle settings for various seeds and seeding rates.

The seed rate charts are based on cleaned, untreated seed of average size and test weight. The rates are based on 9.00 x 24 rib implement tires. Many factors will affect seeding rates including foreign material, seed treatment, seed size, field conditions, tire pressure and test weight. Minor adjustments likely will be needed. Set and check the seeding rate using the procedures on page 2, then adjust the rate as necessary.

Select Drive Type

Refer to Figure 1

The gearbox is designed to give you a variety of drive speeds for different types of seeds and rates. It is a linear shift pattern design with constant mesh gearing and totally sealed to keep the dirt out. No lubrication is required unless service is needed.

The gearbox brass indicator plate is positioned so the side with "1" is closest to the center of the drill.

To set the gearbox move the selector handle ① until the desired drive type appears in the window ② on the handle

Set Seed-Rate Handle

Refer to Figure 2

The seed rate handle controls the percent engagement of the seed sprocket in each seed cup.

1. Loosen wing nut ① under handle.
2. Set indicator ② to just past value from seed rate chart.
3. Tighten wing nut.

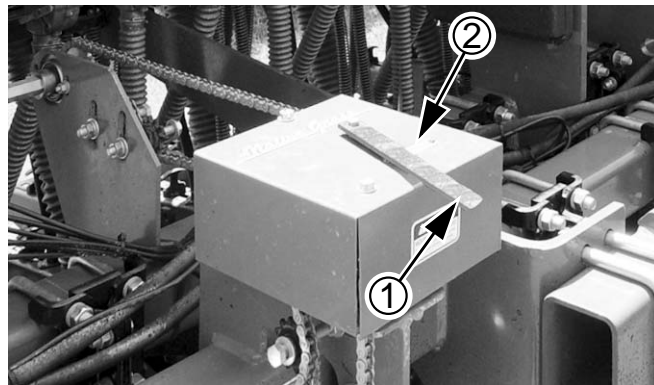


Figure 1
Gearbox Handle Adjustment

21711

Table 1: Gear Box Ratios

Setting 2 is 2.06 Times Faster Than 1

Setting 3 is 3.08 Times Faster Than 1

Setting 4 is 5.03 Times Faster Than 1

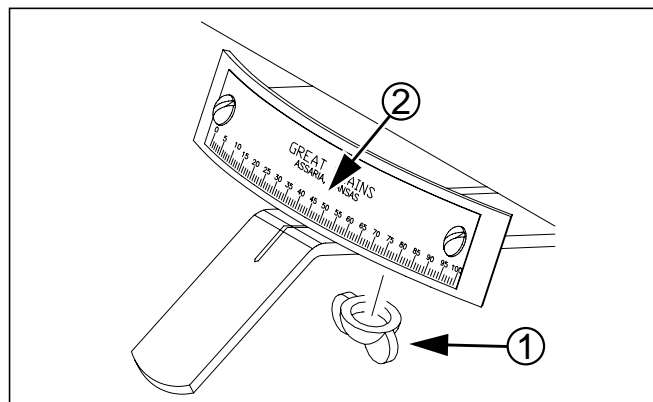


Figure 2
Seed Rate Handle

12927

Position Seed Cup Doors

Refer to *Figure 3*, which depicts the seed cup door handle in position ③.

At each seed box seed tube, adjust the seed cup door handle ④ for the seed size.

The handle has three normal operating position detents:

- ① (top detent) is for the smallest seeds. Use it for wheat and similar small seeds.
- ② (middle detent) is for larger seeds. Use it for soybeans and similar larger seeds.
- ③ (bottom detent) is for oversize or fragile seeds. If you experience excessive cracking with setting ②, use setting ③.

Note: Handle position ⑤ is used for cleanout, not planting. If set to ⑤ with seed loaded, it may be difficult to reset it to a normal operating position.

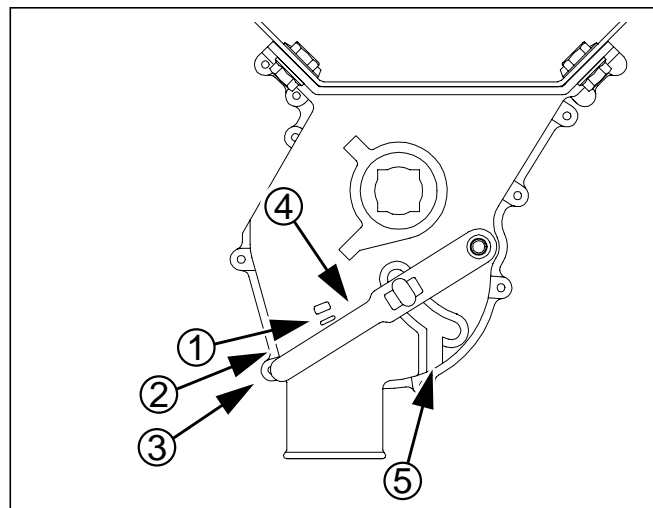


Figure 3
Seed Cup Door Handle

26211

Checking Seed Rate

Note: For drills built **after October 1, 2005**, use the gauge wheel tire or supplied calibration crank to calibrate. For drills built **before October 1, 2005**, use the gauge wheel to calibrate or order the calibration crank kit available through your Great Plains Dealer.

1. To calibrate, use either the left hand gauge wheel or the supplied calibration crank. If using the calibration crank, attach crank to coupler on gauge wheel jackshaft with retaining pin and disengage lockout on drive wheel.
2. Rotate left hand gauge wheel or calibration crank to see that feed cups and drive are working properly and are free from foreign matter.
3. To adjust seeding rate, decide which drive type (gearbox) setting you need from the seeding charts beginning on page 4. Set the gearbox. Rotate drive tire or calibration crank a few turns to confirm gearbox has engaged.
4. Record weight of an empty container large enough to hold seed metered for one acre.
5. Place several pounds of seed over three seed cups on an outside end of drill box. Pull seed tubes off of these three openers.
6. Turn drive gauge wheel or calibration crank several times to fill seed cups with seed. Turn wheel or crank until seed falls to the ground from each cup.



Figure 4
Calibration Crank

23386

7. Rotate drive gauge wheel or calibration crank
595 rotations for the 706 and
411 rotations for the 1006.
This is equal to one acre.

Note: You can also rotate the gauge wheel jackshaft by means of a wrench or socket. If rotating gauge wheel jackshaft, disengage the lockout on the drive wheel and use same number of rotations as for rotating drive wheel.

8. Check that the three seed cups have plenty of seed coming into them.
9. Weigh metered seed. Subtract initial weight of container. Divide by three. Multiply by the number of openers on your drill to determine total pounds seeded per acre. If this figure is different than desired, set your seed rate adjustment handle accordingly.

Note: You may want to repeat the calibration procedure if your results vary greatly from seed rate chart.

10. When drilling, check seeding rate by noting acres drilled, amount of seed added to drill and seed level in drill box. If you are seeding more or less than desired, adjust seeding rate slightly to compensate for field conditions.

Drill Model	Revolutions for One	
	Acre	Hectare
706NT	595	1470
1006NT	411	1016

$$\frac{\text{MeasuredSeed} - \text{EmptyContainer}}{3} = \text{PoundsPerSeedCup}$$

$$\text{PoundsPerSeedCup} \times \text{NumberOfOpeners} = \text{PoundsPerAcre}$$

Rate Charts, Main Seed Box

Metric main seed box rates begin on page 24.

Alfalfa

		Seed Rate Handle Setting Number																				
		0	5	10	15	20	25	30	35	40	45	50	55	60	65	70	75	80	85	90	95	100
Rows	Drive Type 1	Seed Rate in Pounds per Acres Based on 60 pounds/bushel																				
7 inch		0.0	5.4	7.8	10.6	13.7	17.1	20.8	24.7	28.7	32.9	37.2	41.5	45.9	50.3	54.6	58.8	62.9	66.9	70.6	74.1	77.3
7.5 inch		0.0	5.0	7.3	9.9	12.8	16.0	19.4	23.0	26.8	30.7	34.7	38.8	42.9	46.9	50.9	54.9	58.7	62.4	65.9	69.2	72.2
8 inch		0.0	4.7	6.8	9.3	12.0	15.0	18.2	21.6	25.1	28.8	32.5	36.3	40.2	44.0	47.8	51.5	55.0	58.5	61.8	64.8	67.7
Rows	Drive Type 2	Seed Rate in Pounds per Acres Based on 60 pounds/bushel																				
7 inch		0.0	11.0	16.0	21.8	28.2	35.2	42.8	50.7	59.0	67.6	76.5	85.4	94.4	103.3	112.2	120.9	129.3	137.4	145.1	152.3	159.0
7.5 inch		0.0	10.3	15.0	20.3	26.3	32.9	39.9	47.3	55.1	63.1	71.4	79.7	88.1	96.4	104.7	112.8	120.7	128.3	135.4	142.2	148.4
8 inch		0.0	9.6	14.0	19.1	24.7	30.8	37.4	44.4	51.7	59.2	66.9	74.7	82.6	90.4	98.2	105.8	113.2	120.2	127.0	133.3	139.1
Rows	Drive Type 3	Seed Rate in Pounds per Acres Based on 60 pounds/bushel																				
7 inch		0.0	17.9	25.2	33.6	43.0	53.3	64.2	75.8	87.9	100.4	113.1	126.0	138.9	151.7	164.3	176.5	188.4	199.7	210.3	220.1	229.0
7.5 inch		0.0	16.7	23.5	31.4	40.2	49.7	59.9	70.8	82.0	93.7	105.5	117.6	129.6	141.5	153.3	164.8	175.8	186.4	196.2	205.4	213.7
8 inch		0.0	15.6	22.1	29.4	37.6	46.6	56.2	66.3	76.9	87.8	98.9	110.2	121.5	132.7	143.7	154.5	164.8	174.7	184.0	192.6	200.4
Rows	Drive Type 4	Seed Rate in Pounds per Acres Based on 60 pounds/bushel																				
7 inch		0.0	29.1	41.1	54.8	70.1	86.8	104.7	123.6	143.3	163.6	184.4	205.4	226.4	247.3	267.8	287.8	307.1	325.5	342.8	358.8	373.3
7.5 inch		0.0	27.2	38.4	51.2	65.5	81.0	97.7	115.4	133.8	152.7	172.1	191.7	211.3	230.8	250.0	268.6	286.7	303.8	320.0	334.9	348.5
8 inch		0.0	25.5	36.0	48.0	61.4	76.0	91.6	108.2	125.4	143.2	161.3	179.7	198.1	216.4	234.3	251.9	268.7	284.8	300.0	314.0	326.7

Barley-Schuyler

		Seed Rate Handle Setting Number																				
		0	5	10	15	20	25	30	35	40	45	50	55	60	65	70	75	80	85	90	95	100
Rows	Drive Type 1	Seed Rate in Pounds per Acres Based on 51 pounds/bushel																				
7 inch		0.0	5.5	7.3	9.8	12.7	16.0	19.6	23.6	27.7	32.0	36.3	40.7	44.9	49.0	52.9	56.6	59.8	62.6	65.0	66.8	67.9
7.5 inch		0.0	5.1	6.9	9.1	11.8	14.9	18.3	22.0	25.9	29.9	33.9	38.0	41.9	45.8	49.4	52.8	55.8	58.5	60.7	62.3	63.4
8 inch		0.0	4.8	6.4	8.5	11.1	14.0	17.2	20.6	24.3	28.0	31.8	35.6	39.3	42.9	46.3	49.5	52.3	54.8	56.9	58.4	59.4
Rows	Drive Type 2	Seed Rate in Pounds per Acres Based on 51 pounds/bushel																				
7 inch		0.0	11.3	15.1	20.1	26.0	32.9	40.4	48.5	57.0	65.8	74.7	83.6	92.4	100.8	108.8	116.3	123.0	128.8	133.6	137.2	139.6
7.5 inch		0.0	10.5	14.1	18.7	24.3	30.7	37.7	45.2	53.2	61.4	69.7	78.0	86.2	94.1	101.6	108.5	114.8	120.2	124.7	128.1	130.3
8 inch		0.0	9.9	13.2	17.6	22.8	28.8	35.3	42.4	49.9	57.6	65.4	73.2	80.8	88.2	95.2	101.7	107.6	112.7	116.9	120.1	122.1
Rows	Drive Type 3	Seed Rate in Pounds per Acres Based on 51 pounds/bushel																				
7 inch		0.0	15.9	22.7	30.7	39.8	49.8	60.7	72.2	84.3	96.7	109.4	122.1	134.8	147.3	159.4	171.1	182.1	192.3	201.5	209.7	216.7
7.5 inch		0.0	14.9	21.2	28.6	37.1	46.5	56.6	67.4	78.7	90.3	102.1	114.0	125.8	137.5	148.8	159.7	169.9	179.5	188.1	195.7	202.2
8 inch		0.0	14.0	19.8	26.8	34.8	43.6	53.1	63.2	73.7	84.6	95.7	106.9	118.0	128.9	139.5	149.7	159.3	168.2	176.3	183.5	189.6
Rows	Drive Type 4	Seed Rate in Pounds per Acres Based on 51 pounds/bushel																				
7 inch		0.0	26.0	37.0	50.0	64.8	81.2	98.9	117.7	137.4	157.7	178.3	199.1	219.8	240.2	260.0	278.9	296.9	313.5	328.6	341.9	353.3
7.5 inch		0.0	24.3	34.5	46.7	60.5	75.8	92.3	109.9	128.2	147.2	166.4	185.9	205.2	224.2	242.6	260.3	277.1	292.6	306.7	319.1	329.7
8 inch		0.0	22.7	32.4	43.7	56.7	71.1	86.6	103.0	120.2	138.0	156.0	174.2	192.3	210.2	227.5	244.1	259.7	274.3	287.5	299.2	309.1

Rate Charts, Main Seed Box, continued...

Bermuda Grass

		Seed Rate Handle Setting Number																				
		0	5	10	15	20	25	30	35	40	45	50	55	60	65	70	75	80	85	90	95	100
Rows	Drive Type 1	Seed Rate in Pounds per Acres Based on 60 pounds/bushel																				
7 inch		0.0	2.0	4.1	6.2	8.4	10.6	12.8	15.1	17.5	19.8	22.1	24.5	26.8	29.1	31.4	33.7	35.9	38.1	40.2	42.3	44.3
7.5 inch		0.0	1.9	3.8	5.8	7.8	9.9	12.0	14.1	16.3	18.5	20.7	22.8	25.0	27.2	29.3	31.5	33.5	35.6	37.5	39.5	41.3
8 inch		0.0	1.8	3.6	5.4	7.3	9.3	11.2	13.2	15.3	17.3	19.4	21.4	23.5	25.5	27.5	29.5	31.4	33.3	35.2	37.0	38.7
Rows	Drive Type 2	Seed Rate in Pounds per Acres Based on 60 pounds/bushel																				
7 inch		0.0	4.2	8.4	12.7	17.2	21.7	26.4	31.1	35.9	40.7	45.5	50.3	55.1	59.9	64.6	69.3	73.9	78.3	82.7	86.9	91.0
7.5 inch		0.0	3.9	7.8	11.9	16.0	20.3	24.6	29.0	33.5	38.0	42.5	47.0	51.5	55.9	60.3	64.7	68.9	73.1	77.2	81.1	84.9
8 inch		0.0	3.7	7.4	11.1	15.0	19.0	23.1	27.2	31.4	35.6	39.8	44.0	48.2	52.4	56.5	60.6	64.6	68.5	72.4	76.1	79.6
Rows	Drive Type 3	Seed Rate in Pounds per Acres Based on 60 pounds/bushel																				
7 inch		0.0	6.6	12.9	19.4	26.0	32.7	39.6	46.5	53.5	60.5	67.5	74.4	81.3	88.0	94.7	101.1	107.4	113.5	119.3	124.9	130.1
7.5 inch		0.0	6.2	12.0	18.1	24.2	30.5	36.9	43.4	49.9	56.4	63.0	69.4	75.8	82.2	88.3	94.4	100.3	105.9	111.4	116.5	121.4
8 inch		0.0	5.8	11.3	16.9	22.7	28.6	34.6	40.7	46.8	52.9	59.0	65.1	71.1	77.0	82.8	88.5	94.0	99.3	104.4	109.2	113.8
Rows	Drive Type 4	Seed Rate in Pounds per Acres Based on 60 pounds/bushel																				
7 inch		0.0	10.8	21.0	31.6	42.3	53.3	64.5	75.8	87.2	98.6	110.0	121.3	132.5	143.5	154.3	164.9	175.1	185.0	194.5	203.6	212.1
7.5 inch		0.0	10.1	19.6	29.4	39.5	49.8	60.2	70.8	81.4	92.0	102.6	113.2	123.7	133.9	144.0	153.9	163.5	172.7	181.6	190.0	198.0
8 inch		0.0	9.5	18.4	27.6	37.0	46.7	56.5	66.3	76.3	86.3	96.2	106.1	115.9	125.6	135.0	144.3	153.2	161.9	170.2	178.1	185.6

Buckwheat-Common

		Seed Rate Handle Setting Number																				
		0	5	10	15	20	25	30	35	40	45	50	55	60	65	70	75	80	85	90	95	100
Rows	Drive Type 1	Seed Rate in Pounds per Acres Based on 48 pounds/bushel																				
7 inch		0.0	4.5	6.7	9.2	12.2	15.6	19.2	23.0	27.1	31.2	35.3	39.5	43.5	47.5	51.2	54.6	57.8	60.5	62.8	64.6	65.9
7.5 inch		0.0	4.2	6.2	8.6	11.4	14.5	17.9	21.5	25.3	29.1	33.0	36.8	40.6	44.3	47.8	51.0	53.9	56.5	58.6	60.3	61.5
8 inch		0.0	4.0	5.8	8.1	10.7	13.6	16.8	20.2	23.7	27.3	30.9	34.5	38.1	41.5	44.8	47.8	50.6	53.0	55.0	56.6	57.6
Rows	Drive Type 2	Seed Rate in Pounds per Acres Based on 48 pounds/bushel																				
7 inch		0.0	9.4	13.7	19.0	25.1	32.0	39.4	47.4	55.6	64.1	72.6	81.2	89.5	97.6	105.2	112.3	118.8	124.4	129.2	132.9	135.4
7.5 inch		0.0	8.7	12.8	17.7	23.5	29.9	36.8	44.2	51.9	59.8	67.8	75.7	83.5	91.1	98.2	104.8	110.9	116.1	120.5	124.0	126.4
8 inch		0.0	8.2	12.0	16.6	22.0	28.0	34.5	41.4	48.7	56.1	63.6	71.0	78.3	85.4	92.1	98.3	103.9	108.9	113.0	116.2	118.5
Rows	Drive Type 3	Seed Rate in Pounds per Acres Based on 48 pounds/bushel																				
7 inch		0.0	17.4	21.3	27.5	35.8	45.9	57.4	70.3	84.1	98.6	113.6	128.7	143.8	158.5	172.6	185.8	197.8	208.5	217.4	224.4	229.1
7.5 inch		0.0	16.2	19.9	25.7	33.4	42.8	53.6	65.6	78.5	92.0	106.0	120.1	134.2	147.9	161.1	173.4	184.6	194.6	202.9	209.4	213.8
8 inch		0.0	15.2	18.6	24.1	31.3	40.1	50.3	61.5	73.6	86.3	99.4	112.6	125.8	138.7	151.0	162.6	173.1	182.4	190.2	196.3	200.5
Rows	Drive Type 4	Seed Rate in Pounds per Acres Based on 48 pounds/bushel																				
7 inch		0.0	28.4	34.7	44.9	58.4	74.8	93.6	114.6	137.1	160.8	185.2	209.9	234.4	258.4	281.4	302.9	322.5	339.9	354.4	365.8	373.6
7.5 inch		0.0	26.5	32.4	41.9	54.5	69.8	87.4	106.9	127.9	150.0	172.8	195.9	218.8	241.2	262.6	282.7	301.0	317.2	330.8	341.4	348.7
8 inch		0.0	24.8	30.4	39.3	51.1	65.4	81.9	100.2	119.9	140.7	162.0	183.6	205.1	226.1	246.2	265.0	282.2	297.4	310.1	320.1	326.9

Rate Charts, Main Seed Box, continued...

Buffalograss

Rows	Seed Rate Handle Setting Number																				
	0	5	10	15	20	25	30	35	40	45	50	55	60	65	70	75	80	85	90	95	100
Drive Type 1	Seed Rate in Pounds per Acres Based on 23 pounds/bushel																				
7 inch	0.0	1	2	3	4	6	7	9	10	12	13	15	16	18	19	20	21	21	22	22	22
7.5 inch	0.0	1	2	3	4	5	7	8	10	11	13	14	15	17	18	19	20	20	20	20	20
8 inch	0.0	1	2	3	4	5	6	8	9	10	12	13	14	16	17	18	18	19	19	19	19
Drive Type 2	Seed Rate in Pounds per Acres Based on 23 pounds/bushel																				
7 inch	0.0	3	4	7	9	12	15	18	21	24	28	31	34	37	39	41	43	44	45	45	44
7.5 inch	0.0	2	4	6	8	11	14	17	20	23	26	29	32	34	36	38	40	41	42	42	41
8 inch	0.0	2	4	6	8	10	13	16	19	21	24	27	30	32	34	36	38	39	39	39	39
Drive Type 3	Seed Rate in Pounds per Acres Based on 23 pounds/bushel																				
7 inch	0.0	5	7	10	13	17	21	26	31	36	41	46	50	55	59	62	65	67	69	69	69
7.5 inch	0.0	5	7	9	12	16	20	24	29	34	38	43	47	51	55	58	61	63	64	65	64
8 inch	0.0	4	6	9	12	15	19	23	27	31	36	40	44	48	51	54	57	59	60	61	60
Drive Type 4	Seed Rate in Pounds per Acres Based on 23 pounds/bushel																				
7 inch	0.0	8	11	16	22	28	36	43	50	59	67	75	82	89	96	101	106	110	112	113	112
7.5 inch	0.0	7	11	15	20	26	33	40	47	55	62	70	77	83	90	95	99	102	104	105	104
8 inch	0.0	7	10	14	19	24	31	37	44	51	58	65	72	78	84	89	93	96	98	99	98

K-31 Fescue

Rows	Seed Rate Handle Setting Number																				
	0	5	10	15	20	25	30	35	40	45	50	55	60	65	70	75	80	85	90	95	100
Drive Type 1	Seed Rate in Pounds per Acres Based on 21 pounds/bushel																				
7 inch	0.0	2.2	3.4	4.6	6.0	7.4	8.9	10.5	12.0	13.6	15.1	16.6	18.1	19.5	20.8	22.1	23.2	24.2	25.0	25.7	26.3
7.5 inch	0.0	2.0	3.1	4.3	5.6	7.0	8.3	9.8	11.2	12.7	14.1	15.5	16.9	18.2	19.5	20.6	21.7	22.6	23.4	24.0	24.5
8 inch	0.0	1.9	2.9	4.1	5.3	6.5	7.8	9.2	10.5	11.9	13.2	14.6	15.8	17.1	18.2	19.3	20.3	21.2	21.9	22.5	23.0
Drive Type 2	Seed Rate in Pounds per Acres Based on 21 pounds/bushel																				
7 inch	0.0	4.5	6.9	9.6	12.4	15.3	18.4	21.5	24.7	27.9	31.1	34.2	37.2	40.1	42.8	45.4	47.7	49.7	51.5	52.9	54.0
7.5 inch	0.0	4.2	6.5	8.9	11.5	14.3	17.2	20.1	23.1	26.0	29.0	31.9	34.7	37.4	40.0	42.4	44.5	46.4	48.1	49.4	50.4
8 inch	0.0	3.9	6.1	8.4	10.8	13.4	16.1	18.8	21.6	24.4	27.2	29.9	32.6	35.1	37.5	39.7	41.7	43.5	45.1	46.3	47.2
Drive Type 3	Seed Rate in Pounds per Acres Based on 21 pounds/bushel																				
7 inch	0.0	7.7	10.8	14.3	18.2	22.4	26.8	31.3	36.1	40.8	45.6	50.4	55.1	59.6	63.9	67.9	71.6	75.0	77.9	80.3	82.1
7.5 inch	0.0	7.2	10.1	13.4	17.0	20.9	25.0	29.3	33.7	38.1	42.6	47.0	51.4	55.6	59.6	63.4	66.8	70.0	72.7	74.9	76.7
8 inch	0.0	6.8	9.5	12.6	15.9	19.6	23.4	27.4	31.5	35.7	39.9	44.1	48.2	52.1	55.9	59.4	62.7	65.6	68.1	70.2	71.9
Drive Type 4	Seed Rate in Pounds per Acres Based on 21 pounds/bushel																				
7 inch	0.0	12.6	17.1	23.4	29.7	36.5	43.6	51.1	58.8	66.6	74.4	82.2	89.8	97.1	104.1	110.7	116.8	122.2	126.9	130.9	133.9
7.5 inch	0.0	11.8	16.5	21.8	27.7	34.0	40.7	47.7	54.9	62.1	69.4	76.7	83.8	90.6	97.2	103.3	109.0	114.1	118.5	122.2	125.0
8 inch	0.0	11.0	15.5	20.5	26.0	31.9	38.2	44.7	51.4	58.3	65.1	71.9	78.6	85.0	91.1	96.9	102.2	106.9	111.1	114.5	117.2

Rate Charts, Main Seed Box, continued...

Flax or Sudan

		Seed Rate Handle Setting Number																				
		0	5	10	15	20	25	30	35	40	45	50	55	60	65	70	75	80	85	90	95	100
Rows	Drive Type 1	Seed Rate in Pounds per Acres Based on 55 pounds/bushel																				
7 inch		0.0	5.3	7.9	10.9	14.2	17.8	21.6	25.6	29.8	34.1	38.5	43.0	47.4	51.8	56.2	60.4	64.5	68.4	72.1	75.5	78.6
7.5 inch		0.0	5.0	7.4	10.2	13.2	16.6	20.1	23.9	27.8	31.8	35.9	40.1	44.2	48.4	52.4	56.4	60.2	63.9	67.3	70.5	73.4
8 inch		0.0	4.7	6.9	9.5	12.4	15.5	18.9	22.4	26.1	29.8	33.7	37.6	41.5	45.4	49.2	52.9	56.5	59.9	63.1	66.1	68.8
Rows	Drive Type 2	Seed Rate in Pounds per Acres Based on 55 pounds/bushel																				
7 inch		0.0	10.9	16.3	22.4	29.2	36.5	44.4	52.6	61.2	70.1	79.1	88.3	97.4	106.5	115.5	124.2	132.6	140.7	148.2	155.2	161.6
7.5 inch		0.0	10.2	15.2	20.9	27.2	34.1	41.4	49.1	57.2	65.4	73.9	82.4	90.9	99.4	107.8	115.9	123.8	131.3	138.3	144.9	150.8
8 inch		0.0	9.6	14.3	19.6	25.5	31.9	38.8	46.0	53.6	61.3	69.3	77.3	85.3	93.2	101.1	108.7	116.1	123.1	129.7	135.8	141.4
Rows	Drive Type 3	Seed Rate in Pounds per Acres Based on 55 pounds/bushel																				
7 inch		0.0	16.7	24.8	33.7	43.5	53.9	64.9	76.4	88.3	100.5	112.9	125.4	137.9	150.4	162.7	174.7	186.3	197.5	208.1	218.0	227.2
7.5 inch		0.0	15.6	23.1	31.5	40.6	50.3	60.6	71.3	82.4	93.8	105.4	117.1	128.7	140.4	151.8	163.0	173.9	184.3	194.2	203.5	212.1
8 inch		0.0	14.6	21.7	29.5	38.0	47.2	56.8	66.9	77.3	87.9	98.8	109.7	120.7	131.6	142.3	152.8	163.0	172.8	182.1	190.8	198.8
Rows	Drive Type 4	Seed Rate in Pounds per Acres Based on 55 pounds/bushel																				
7 inch		0.0	27.2	40.4	55.0	70.9	87.9	105.8	124.6	144.0	163.9	184.1	204.5	224.9	245.2	265.2	284.8	303.7	321.9	339.2	355.4	370.5
7.5 inch		0.0	25.4	37.7	51.3	66.2	82.0	98.8	116.3	134.4	152.9	171.8	190.8	209.9	228.9	247.5	265.8	283.5	300.5	316.6	331.8	345.8
8 inch		0.0	23.8	35.4	48.1	62.0	76.9	92.6	109.0	126.0	143.4	161.1	178.9	196.8	214.6	232.1	249.2	265.8	281.7	296.8	311.0	324.1

Eastern Gamma Grass-Pete

Note: Seed cup door should be set on the second notch

		Seed Rate Handle Setting Number																				
		0	5	10	15	20	25	30	35	40	45	50	55	60	65	70	75	80	85	90	95	100
Rows	Drive Type 1	Seed Rate in Pounds per Acres																				
7 inch		0.0	4.5	6.2	8.2	10.5	13.0	15.8	18.7	21.7	24.7	27.8	30.9	33.8	36.7	39.4	41.9	44.1	46.1	47.7	48.9	49.7
7.5 inch		0.0	4.2	5.7	7.6	9.8	12.2	14.7	17.4	20.2	23.1	26.0	28.8	31.6	34.3	36.8	39.1	41.2	43.0	44.5	45.7	46.4
8 inch		0.0	3.9	5.4	7.2	9.2	11.4	13.8	16.3	19.0	21.6	24.3	27.0	29.6	32.1	34.5	36.7	38.6	40.3	41.7	42.8	43.5
Rows	Drive Type 2	Seed Rate in Pounds per Acres																				
7 inch		0.0	9.2	12.7	16.8	21.6	26.8	32.4	38.4	44.6	50.9	57.2	63.5	69.6	75.5	81.0	86.1	90.7	94.7	98.0	100.6	102.2
7.5 inch		0.0	8.6	11.8	15.7	20.1	25.0	30.3	35.8	41.6	47.5	53.4	59.2	64.9	70.4	75.6	80.4	84.7	88.4	91.5	93.9	95.4
8 inch		0.0	8.0	11.1	14.7	18.9	23.5	28.4	33.6	39.0	44.5	50.0	55.5	60.9	66.0	70.9	75.4	79.4	82.9	85.8	88.0	89.4
Rows	Drive Type 3	Seed Rate in Pounds per Acres																				
7 inch		0.0	12.8	18.5	25.0	32.2	40.0	48.2	56.8	65.6	74.5	83.5	92.3	101.0	109.3	117.2	124.5	131.2	137.1	142.1	146.2	149.2
7.5 inch		0.0	11.9	17.3	23.4	30.1	37.3	45.0	53.0	61.2	69.6	77.9	86.2	94.2	102.0	109.4	116.2	122.4	128.0	132.7	136.5	139.2
8 inch		0.0	11.2	16.2	21.9	28.2	35.0	42.2	49.7	57.4	65.2	73.1	80.8	88.3	95.6	102.5	108.9	114.8	120.0	124.4	127.9	130.5
Rows	Drive Type 4	Seed Rate in Pounds per Acres																				
7 inch		0.0	20.8	30.2	40.8	52.6	65.2	78.6	92.6	107.0	121.5	136.1	150.5	164.6	178.2	191.0	203.0	213.9	223.5	231.8	238.4	243.2
7.5 inch		0.0	19.4	28.1	38.1	49.0	60.9	73.4	86.4	99.9	113.4	127.0	140.5	153.6	166.3	178.3	189.5	199.6	208.6	216.3	222.5	227.0
8 inch		0.0	18.2	26.4	35.7	46.0	57.1	68.8	81.0	93.6	106.4	119.1	131.7	144.0	155.9	167.1	177.6	187.2	195.6	202.8	208.6	212.8

Rate Charts, Main Seed Box, continued...

Kentucky Blue Grass

Rows	Seed Rate Handle Setting Number																				
	0	5	10	15	20	25	30	35	40	45	50	55	60	65	70	75	80	85	90	95	100
Drive Type 1	Seed Rate in Pounds per Acres Based on 23 pounds/bushel																				
7 inch	0.0	1.7	2.5	3.4	4.3	5.4	6.6	7.8	9.0	10.3	11.6	12.8	14.1	15.3	16.4	17.5	18.5	19.3	20.1	20.7	21.2
7.5 inch	0.0	1.6	2.3	3.1	4.1	5.1	6.1	7.3	8.4	9.6	10.8	12.0	13.1	14.3	15.3	16.3	17.2	18.1	18.8	19.3	19.8
8 inch	0.0	1.5	2.2	2.9	3.8	4.7	5.7	6.8	7.9	9.0	10.1	11.2	12.3	13.4	14.4	15.3	16.2	16.9	17.6	18.1	18.5
Drive Type 2	Seed Rate in Pounds per Acres Based on 23 pounds/bushel																				
7 inch	0.0	3.5	5.1	6.9	8.9	11.1	13.5	16.0	18.5	21.1	23.8	26.4	28.9	31.4	33.7	35.9	38.0	39.8	41.3	42.6	43.5
7.5 inch	0.0	3.3	4.7	6.4	8.3	10.4	12.6	14.9	17.3	19.7	22.2	24.6	27.0	29.3	31.5	33.5	35.4	37.1	38.6	39.7	40.6
8 inch	0.0	3.1	4.4	6.0	7.8	9.7	11.8	14.0	16.2	18.5	20.8	23.1	25.3	27.5	29.5	31.5	33.2	34.8	36.1	37.3	38.1
Drive Type 3	Seed Rate in Pounds per Acres Based on 23 pounds/bushel																				
7 inch	0.0	5.6	8.4	11.3	14.4	17.6	21.0	24.5	28.0	31.5	35.1	38.6	42.0	45.4	48.6	51.7	54.6	57.2	59.7	61.9	63.7
7.5 inch	0.0	5.3	7.8	10.5	13.4	16.5	19.6	22.8	26.1	29.4	32.7	36.0	39.2	42.3	45.4	48.2	50.9	53.4	55.7	57.7	59.5
8 inch	0.0	4.9	7.3	9.9	12.6	15.4	18.4	21.4	24.5	27.6	30.7	33.7	36.8	39.7	42.5	45.2	47.7	50.1	52.2	54.1	55.8
Drive Type 4	Seed Rate in Pounds per Acres Based on 23 pounds/bushel																				
7 inch	0.0	9.2	13.6	18.4	23.5	28.8	34.3	39.9	45.6	51.4	57.2	62.9	68.5	74.0	79.2	84.3	89.0	93.3	97.3	100.8	103.9
7.5 inch	0.0	8.9	12.7	17.2	21.9	26.8	32.0	37.2	42.6	48.0	53.4	58.7	63.9	69.0	74.0	78.6	83.0	87.1	90.8	94.1	97.0
8 inch	0.0	8.1	11.9	16.1	20.5	25.2	30.0	34.9	39.9	45.0	50.0	55.0	59.9	64.7	69.3	73.7	77.8	81.7	85.2	88.2	90.9

Millet

Rows	Seed Rate Handle Setting Number																				
	0	5	10	15	20	25	30	35	40	45	50	55	60	65	70	75	80	85	90	95	100
Drive Type 1	Seed Rate in Pounds per Acres Based on 60 pounds/bushel																				
7 inch	0.0	5.6	7.9	10.7	13.8	17.2	20.8	24.7	28.6	32.8	36.9	41.1	45.3	49.4	53.3	57.2	60.8	64.1	67.2	69.9	72.2
7.5 inch	0.0	5.2	7.4	10.0	12.9	16.0	19.4	23.0	26.7	30.6	34.5	38.4	42.3	46.1	49.8	53.3	56.7	59.8	62.7	65.2	67.4
8 inch	0.0	4.9	6.9	9.4	12.1	15.0	18.2	21.6	25.1	28.7	32.3	36.0	39.6	43.2	46.7	50.0	53.2	56.1	58.8	61.2	63.2
Drive Type 2	Seed Rate in Pounds per Acres Based on 60 pounds/bushel																				
7 inch	0.0	11.4	16.3	22.0	28.3	35.3	42.8	50.7	58.9	67.3	75.9	84.5	93.1	101.5	109.7	117.5	124.9	131.8	138.1	143.7	148.4
7.5 inch	0.0	10.7	15.2	20.5	26.5	33.0	39.9	47.3	55.0	62.8	70.8	78.9	86.9	94.7	102.3	109.7	116.6	123.0	128.9	134.1	138.5
8 inch	0.0	10.0	14.3	19.2	24.8	30.9	37.4	44.3	51.5	58.9	66.4	73.9	81.4	88.8	95.9	102.8	109.3	115.3	120.8	125.7	129.9
Drive Type 3	Seed Rate in Pounds per Acres Based on 60 pounds/bushel																				
7 inch	0.0	15.8	23.6	32.4	42.3	53.0	64.4	76.3	88.7	101.4	114.3	127.2	140.0	152.5	164.7	176.4	187.5	197.7	207.1	215.5	222.6
7.5 inch	0.0	14.8	22.0	30.3	39.5	49.4	60.1	71.2	82.8	94.6	106.6	118.7	130.6	142.4	153.7	164.7	175.0	184.6	193.3	201.1	207.8
8 inch	0.0	13.8	20.6	28.4	37.0	46.3	56.3	66.8	77.6	88.7	100.0	111.3	122.5	133.5	144.1	154.4	164.0	173.0	181.2	188.5	194.8
Drive Type 4	Seed Rate in Pounds per Acres Based on 60 pounds/bushel																				
7 inch	0.0	25.8	38.4	52.9	68.9	86.4	104.9	124.4	144.6	165.3	186.3	207.3	228.2	248.7	268.6	287.6	305.7	322.4	337.7	351.3	363.0
7.5 inch	0.0	24.1	35.9	49.4	64.3	80.6	97.9	116.1	135.0	154.3	173.9	193.5	213.0	232.1	250.7	268.5	285.3	300.9	315.2	327.9	338.8
8 inch	0.0	22.6	33.6	46.3	60.3	75.6	91.8	108.9	126.5	144.7	163.0	181.4	199.7	217.6	235.0	251.7	267.4	282.1	295.5	307.4	317.6

Rate Charts, Main Seed Box, continued...

Milo

		Seed Rate Handle Setting Number																				
		0	5	10	15	20	25	30	35	40	45	50	55	60	65	70	75	80	85	90	95	100
Rows	Drive Type 1	Seed Rate in Pounds per Acres Based on 60 pounds/bushel																				
7 inch		0.0	5.3	8.3	11.8	15.8	20.3	25.2	30.4	35.8	41.4	47.1	52.8	58.5	64.0	69.4	74.5	79.3	83.7	87.6	91.0	93.7
7.5 inch		0.0	5.0	7.7	11.0	14.8	19.0	23.5	28.4	33.4	38.6	43.9	49.3	54.6	59.7	64.8	69.5	74.0	78.1	81.8	84.9	87.5
8 inch		0.0	4.7	7.2	10.3	13.8	17.8	22.0	26.6	31.3	36.2	41.2	46.2	51.2	56.0	60.7	65.2	69.4	73.2	76.6	79.6	82.0
Rows	Drive Type 2	Seed Rate in Pounds per Acres Based on 60 pounds/bushel																				
7 inch		0.0	11.0	17.0	24.2	32.5	41.8	51.8	62.4	73.6	85.1	96.8	108.5	120.2	131.6	142.6	153.1	163.0	172.0	180.0	187.0	192.7
7.5 inch		0.0	10.2	15.8	22.6	30.4	39.0	48.3	58.3	68.7	79.4	90.3	101.3	112.2	122.8	133.1	142.9	152.1	160.5	168.0	174.5	179.8
8 inch		0.0	9.6	14.9	21.2	28.5	36.5	45.3	54.6	64.4	74.4	84.7	95.0	105.1	115.1	124.8	134.0	142.6	150.5	157.5	163.6	168.6

Oats

		Seed Rate Handle Setting Number																				
		0	5	10	15	20	25	30	35	40	45	50	55	60	65	70	75	80	85	90	95	100
Rows	Drive Type 1	Seed Rate in Pounds per Acres Based on 37 pounds/bushel																				
7 inch		0.0	2.1	3.6	5.2	7.1	9.1	11.3	13.6	16.0	18.4	20.9	23.4	25.8	28.3	30.6	32.9	35.1	37.1	38.9	40.5	42.0
7.5 inch		0.0	2.0	3.3	4.9	6.6	8.5	10.6	12.7	14.9	17.2	19.5	21.8	24.1	26.4	28.6	30.7	32.7	34.6	36.3	37.8	39.2
8 inch		0.0	1.8	3.1	4.6	6.2	8.0	9.9	11.9	14.0	16.1	18.3	20.5	22.6	24.7	26.8	28.8	30.7	32.4	34.0	35.5	36.7
Rows	Drive Type 2	Seed Rate in Pounds per Acres Based on 37 pounds/bushel																				
7 inch		0.0	4.3	7.3	10.8	14.6	18.8	23.2	27.9	32.8	37.8	42.9	48.0	53.1	58.1	63.0	67.7	72.1	76.2	80.0	83.3	86.2
7.5 inch		0.0	4.0	6.8	10.0	13.6	17.5	21.7	26.1	30.6	35.3	40.1	44.8	49.6	54.2	58.8	63.1	67.3	71.1	74.6	77.8	80.5
8 inch		0.0	3.8	6.4	9.4	12.8	16.4	20.3	24.4	28.7	33.1	37.6	42.0	46.5	50.9	55.1	59.2	63.1	66.7	70.0	72.9	75.5
Rows	Drive Type 3	Seed Rate in Pounds per Acres Based on 37 pounds/bushel																				
7 inch		0.0	8.0	11.5	16.0	21.5	27.7	34.6	42.0	49.8	57.9	66.1	74.4	82.6	90.5	98.1	105.2	111.8	117.6	122.5	126.5	129.4
7.5 inch		0.0	7.4	10.7	15.0	20.1	25.9	32.3	39.2	46.5	54.0	61.7	69.4	77.1	84.5	91.6	98.2	104.3	109.7	114.3	118.1	120.8
8 inch		0.0	7.0	10.1	14.0	18.8	24.2	30.3	36.7	43.6	50.7	57.9	65.1	72.2	79.2	85.8	92.1	97.8	102.9	107.2	110.7	113.2
Rows	Drive Type 4	Seed Rate in Pounds per Acres Based on 37 pounds/bushel																				
7 inch		0.0	13.0	18.7	26.1	35.0	45.2	56.4	68.5	81.2	94.4	107.8	121.3	134.6	147.6	160.0	171.6	182.2	191.7	199.8	206.2	210.9
7.5 inch		0.0	12.1	17.5	24.4	32.7	42.2	52.6	63.9	75.8	88.1	100.6	113.2	125.6	137.7	149.3	160.1	170.1	178.9	186.4	192.5	196.9
8 inch		0.0	11.4	16.4	22.9	30.6	39.5	49.3	59.9	71.1	82.6	94.3	106.1	117.8	129.1	140.0	150.1	159.4	167.7	174.8	180.5	184.6

Rate Charts, Main Seed Box, continued...

Orchard Grass-Potomac

		Seed Rate Handle Setting Number																				
		0	5	10	15	20	25	30	35	40	45	50	55	60	65	70	75	80	85	90	95	100
Rows	Drive Type 1	Seed Rate in Pounds per Acres Based on 18 pounds/bushel																				
7 inch		0.0	1.3	1.8	2.4	3.1	3.9	4.8	5.8	6.8	7.8	8.9	9.9	11.0	12.0	13.0	13.9	14.7	15.5	16.1	16.6	17.0
7.5 inch		0.0	1.2	1.7	2.2	2.9	3.6	4.5	5.4	6.3	7.3	8.3	9.3	10.2	11.2	12.1	13.0	13.8	14.4	15.0	15.5	15.9
8 inch		0.0	1.1	1.6	2.1	2.7	3.4	4.2	5.0	5.9	6.8	7.8	8.7	9.6	10.5	11.4	12.2	12.9	13.5	14.1	14.6	14.9
Rows	Drive Type 2	Seed Rate in Pounds per Acres Based on 18 pounds/bushel																				
7 inch		0.0	2.7	3.7	4.9	6.4	8.0	9.9	11.8	13.9	16.0	18.2	20.4	22.6	24.7	26.7	28.6	30.3	31.8	33.1	34.2	35.0
7.5 inch		0.0	2.5	3.4	4.6	5.9	7.5	9.2	11.0	13.0	15.0	17.0	19.0	21.1	23.0	24.9	26.7	28.3	29.7	30.9	31.9	32.7
8 inch		0.0	2.3	3.2	4.3	5.6	7.0	8.6	10.3	12.2	14.0	15.9	17.9	19.7	21.6	23.3	25.0	26.5	27.8	29.0	29.9	30.6
Rows	Drive Type 3	Seed Rate in Pounds per Acres Based on 18 pounds/bushel																				
7 inch		0.0	3.9	5.3	7.1	9.2	11.6	14.1	16.9	19.8	22.8	25.8	28.9	32.0	35.0	37.9	40.7	43.3	45.7	47.8	49.7	51.2
7.5 inch		0.0	3.6	5.0	6.6	8.6	10.8	13.2	15.8	18.4	21.2	24.1	27.0	29.8	32.6	35.4	38.0	40.4	42.6	44.6	46.4	47.8
8 inch		0.0	3.4	4.7	6.2	8.1	10.1	12.4	14.8	17.3	19.9	22.6	25.3	28.0	30.6	33.1	35.6	37.9	40.0	41.9	43.5	44.8
Rows	Drive Type 4	Seed Rate in Pounds per Acres Based on 18 pounds/bushel																				
7 inch		0.0	6.3	8.7	11.6	15.0	18.9	23.0	27.5	32.2	37.1	42.1	47.1	52.1	57.0	61.8	66.3	70.6	74.5	78.0	81.0	83.5
7.5 inch		0.0	5.9	8.1	10.8	14.0	17.6	21.5	25.7	30.1	34.6	39.3	44.0	48.6	53.2	57.6	61.9	65.9	69.5	72.8	75.6	78.0
8 inch		0.0	5.5	7.6	10.2	13.1	16.5	20.2	24.1	28.2	32.5	36.8	41.2	45.6	49.9	54.0	58.0	61.7	65.2	68.2	70.9	73.1

Peas

		Seed Rate Handle Setting Number																				
		0	5	10	15	20	25	30	35	40	45	50	55	60	65	70	75	80	85	90	95	100
Rows	Drive Type 1	Seed Rate in Pounds per Acres Based on 61 pounds/bushel																				
7 inch		0.0	2.5	6.1	10.2	14.7	19.5	24.5	29.8	35.2	40.6	46.1	51.4	56.6	61.6	66.3	70.7	74.7	78.2	81.1	83.4	85.1
7.5 inch		0.0	2.3	5.7	9.5	13.7	18.2	22.9	27.8	32.8	37.9	43.0	48.0	52.8	57.5	61.9	66.0	69.7	73.0	75.7	77.9	79.4
8 inch		0.0	2.2	5.3	8.9	12.8	17.0	21.5	26.1	30.8	35.5	40.3	45.0	49.5	53.9	58.1	61.9	65.4	68.4	71.0	73.0	74.5
Rows	Drive Type 2	Seed Rate in Pounds per Acres Based on 61 pounds/bushel																				
7 inch		0.0	5.1	12.6	21.0	30.2	40.0	50.4	61.2	72.3	83.5	94.7	105.7	116.4	126.7	136.4	145.4	153.5	160.7	166.7	171.5	174.9
7.5 inch		0.0	4.8	11.7	19.6	28.1	37.4	47.1	57.2	67.5	77.9	88.4	98.6	108.6	118.2	127.3	135.7	143.3	150.0	155.6	160.1	163.3
8 inch		0.0	4.5	11.0	18.3	26.4	35.0	44.1	53.6	63.3	73.1	82.8	92.5	101.8	110.8	119.3	127.2	134.3	140.6	145.9	150.1	153.1
Rows	Drive Type 3	Seed Rate in Pounds per Acres Based on 61 pounds/bushel																				
7 inch		0.0	3.7	14.0	25.8	38.7	52.6	67.3	82.7	98.4	114.3	130.2	145.9	161.1	175.8	189.6	202.4	213.9	224.0	232.5	239.1	243.7
7.5 inch		0.0	3.5	13.1	24.0	36.1	49.1	62.8	77.1	91.8	106.7	121.5	136.2	150.4	164.1	177.0	188.9	199.7	209.1	217.0	223.2	227.4
8 inch		0.0	3.3	12.3	22.5	33.8	46.0	58.9	72.3	86.1	100.0	113.9	127.6	141.0	153.8	165.9	177.1	187.2	196.0	203.4	209.2	213.2
Rows	Drive Type 4	Seed Rate in Pounds per Acres Based on 61 pounds/bushel																				
7 inch		0.0	6.1	22.9	42.0	63.1	85.8	109.8	134.8	160.4	186.4	212.3	237.8	262.7	286.6	309.1	330.0	348.8	365.3	379.1	389.9	397.3
7.5 inch		0.0	5.7	21.4	39.2	58.9	80.0	102.5	125.8	149.7	173.9	198.1	222.0	245.2	267.5	288.5	308.0	325.5	340.9	353.8	363.9	370.8
8 inch		0.0	5.3	20.0	36.7	55.2	75.0	96.1	117.9	140.4	163.1	185.7	208.1	229.9	250.8	270.5	288.7	305.2	319.6	331.7	341.1	347.6

Rate Charts, Main Seed Box, continued...

Pinto Beans

		Seed Rate Handle Setting Number																				
		0	5	10	15	20	25	30	35	40	45	50	55	60	65	70	75	80	85	90	95	100
Rows	Drive Type 1	Seed Rate in Pounds per Acres Based on 61 pounds/bushel																				
7 inch		0.0	4.8	7.9	11.7	16.1	20.9	26.0	31.5	37.1	42.9	48.7	54.4	60.0	65.4	70.4	75.0	79.2	82.7	85.6	87.7	89.0
7.5 inch		0.0	4.5	7.4	10.9	15.0	19.5	24.3	29.4	34.7	40.0	45.5	50.8	56.0	61.0	65.7	70.0	73.9	77.2	79.9	81.8	83.0
8 inch		0.0	4.2	7.0	10.3	14.1	18.2	22.8	27.5	32.5	37.5	42.6	47.6	52.5	57.2	61.6	65.7	69.3	72.4	74.9	76.7	77.8
Rows	Drive Type 2	Seed Rate in Pounds per Acres Based on 61 pounds/bushel																				
7 inch		0.0	9.9	16.3	24.1	33.0	42.9	53.5	64.7	76.3	88.2	100.1	111.9	123.4	134.4	144.8	154.3	162.7	170.0	175.9	180.3	182.9
7.5 inch		0.0	9.2	15.2	22.5	30.8	40.0	49.9	60.4	71.2	82.3	93.5	104.5	115.2	125.5	135.1	144.0	151.9	158.7	164.2	168.2	170.7
8 inch		0.0	8.6	14.3	21.1	28.9	37.5	46.8	56.6	66.8	77.2	87.6	97.9	108.0	117.6	126.7	135.0	142.4	148.8	153.9	157.7	160.0
Rows	Drive Type 3	Seed Rate in Pounds per Acres Based on 61 pounds/bushel																				
7 inch		0.0	16.4	25.3	36.2	48.7	62.7	77.8	93.8	110.5	127.6	144.8	161.9	178.6	194.7	210.0	224.1	236.8	247.9	257.0	264.1	268.7
7.5 inch		0.0	15.3	23.6	33.8	45.5	58.5	72.6	87.6	103.1	119.1	135.1	151.1	166.7	181.7	196.0	209.1	221.0	231.3	239.9	246.4	250.8
8 inch		0.0	14.3	22.2	31.7	42.6	54.9	68.1	82.1	96.7	111.6	126.7	141.7	156.3	170.4	183.7	196.1	207.2	216.9	224.9	231.0	235.1
Rows	Drive Type 4	Seed Rate in Pounds per Acres Based on 61 pounds/bushel																				
7 inch		0.0	26.7	41.3	59.0	79.5	102.2	126.9	153.0	180.2	208.0	236.1	264.0	291.2	317.5	342.3	365.3	386.1	404.1	419.1	430.5	438.1
7.5 inch		0.0	24.9	38.5	55.1	74.2	95.4	118.4	142.8	168.2	194.1	220.3	246.4	271.8	296.3	319.5	341.0	360.3	377.2	391.1	401.8	408.8
8 inch		0.0	23.4	36.1	51.6	69.5	89.4	111.0	133.9	157.7	182.0	206.6	231.0	254.8	277.8	299.5	319.7	337.8	353.6	366.7	376.7	383.3

Rape

		Seed Rate Handle Setting Number																				
		0	5	10	15	20	25	30	35	40	45	50	55	60	65	70	75	80	85	90	95	100
Rows	Drive Type 1	Seed Rate in Pounds per Acres Based on 51 pounds/bushel																				
7 inch		0.0	4.9	7.3	9.9	12.8	15.8	19.0	22.3	25.8	29.2	32.8	36.4	40.0	43.5	47.0	50.5	53.8	57.0	60.1	63.0	65.7
7.5 inch		0.0	4.5	6.8	9.3	11.9	14.8	17.7	20.8	24.0	27.3	30.6	34.0	37.3	40.6	43.9	47.1	50.2	53.2	56.1	58.8	61.3
8 inch		0.0	4.3	6.4	8.7	11.2	13.8	16.6	19.5	22.5	25.6	28.7	31.8	35.0	38.1	41.1	44.2	47.1	49.9	52.6	55.1	57.5
Rows	Drive Type 2	Seed Rate in Pounds per Acres Based on 51 pounds/bushel																				
7 inch		0.0	10.0	15.0	20.4	26.3	32.5	39.1	45.9	52.9	60.1	67.4	74.8	82.1	89.4	96.7	103.7	110.6	117.2	123.5	129.4	135.0
7.5 inch		0.0	9.3	14.0	19.1	24.5	30.4	36.5	42.8	49.4	56.1	62.9	69.8	76.7	83.5	90.2	96.8	103.2	109.4	115.3	120.8	126.0
8 inch		0.0	8.7	13.1	17.9	23.0	28.5	34.2	40.2	46.3	52.6	59.0	65.4	71.9	78.3	84.6	90.8	96.8	102.5	108.1	113.3	118.1
Rows	Drive Type 3	Seed Rate in Pounds per Acres Based on 51 pounds/bushel																				
7 inch		0.0	15.5	21.5	28.6	36.7	45.6	55.2	65.4	76.0	87.0	98.2	109.4	120.6	131.7	142.4	152.7	162.5	171.6	179.8	187.2	193.5
7.5 inch		0.0	14.4	20.1	26.7	34.2	42.5	51.5	61.0	71.0	81.2	91.6	102.1	112.6	122.9	132.9	142.5	151.7	160.1	167.9	174.4	180.6
8 inch		0.0	13.5	18.8	25.0	32.1	39.9	48.3	57.2	66.5	76.1	85.9	95.8	105.6	115.2	124.6	133.6	142.2	150.1	157.4	163.8	169.3
Rows	Drive Type 4	Seed Rate in Pounds per Acres Based on 51 pounds/bushel																				
7 inch		0.0	25.2	35.0	46.6	59.8	74.3	90.0	106.6	123.9	141.8	160.1	178.4	196.7	214.7	232.2	249.0	264.9	279.7	293.2	305.2	315.4
7.5 inch		0.0	23.5	32.7	43.5	55.8	69.3	84.0	99.5	115.7	132.4	149.4	166.5	183.6	200.4	216.7	232.4	247.3	261.1	273.7	284.8	294.4
8 inch		0.0	22.1	30.7	40.8	52.3	65.0	78.7	93.3	108.5	124.1	140.1	156.1	172.1	187.9	203.2	217.9	231.8	244.8	256.6	267.0	276.0

Rate Charts, Main Seed Box, continued...

Rice-Short Grain

		Seed Rate Handle Setting Number																				
		0	5	10	15	20	25	30	35	40	45	50	55	60	65	70	75	80	85	90	95	100
Rows	Drive Type 1	Seed Rate in Pounds per Acres Based on 43 pounds/bushel																				
7 inch		0.0	2.9	5.4	8.0	10.8	13.8	16.9	20.0	23.2	26.5	29.7	32.9	36.0	39.0	41.9	44.6	47.2	49.5	51.6	53.4	54.8
7.5 inch		0.0	2.7	5.0	7.5	10.1	12.9	15.8	18.7	21.7	24.7	27.7	30.7	33.6	36.4	39.1	41.7	44.0	46.2	48.1	49.8	51.2
8 inch		0.0	2.6	4.7	7.0	9.5	12.1	14.8	17.5	20.3	23.2	26.0	28.8	31.5	34.1	36.7	39.1	41.3	43.3	45.1	46.7	48.0
Rows	Drive Type 2	Seed Rate in Pounds per Acres Based on 43 pounds/bushel																				
7 inch		0.0	6.0	11.0	16.5	22.3	28.4	34.7	41.2	47.8	54.4	61.1	67.6	74.0	80.2	86.2	91.8	97.0	101.8	106.0	109.7	112.7
7.5 inch		0.0	5.6	10.3	15.4	20.8	26.5	32.4	38.4	44.6	50.8	57.0	63.1	69.1	74.9	80.4	85.6	90.5	95.0	98.9	102.4	105.2
8 inch		0.0	5.3	9.7	14.4	19.5	24.8	30.4	36.0	41.8	47.6	53.4	59.2	64.8	70.2	75.4	80.3	84.9	89.0	92.8	96.0	98.6
Rows	Drive Type 3	Seed Rate in Pounds per Acres Based on 43 pounds/bushel																				
7 inch		0.0	12.8	18.2	24.8	32.4	40.7	49.8	59.3	69.2	79.4	89.5	99.6	109.5	118.9	127.8	136.0	143.3	149.6	154.8	158.6	161.0
7.5 inch		0.0	11.9	17.0	23.2	30.2	38.0	46.5	55.4	64.6	74.1	83.6	93.0	102.2	111.0	119.3	126.9	133.7	139.6	144.5	148.0	150.3
8 inch		0.0	11.2	16.0	21.7	28.3	35.6	43.6	51.9	60.6	69.4	78.4	87.2	95.8	104.0	111.8	119.0	125.4	130.9	135.4	138.8	140.9
Rows	Drive Type 4	Seed Rate in Pounds per Acres Based on 43 pounds/bushel																				
7 inch		0.0	20.8	29.7	40.5	52.8	66.4	81.2	96.7	112.9	129.4	146.0	162.4	178.5	193.9	208.4	221.7	233.6	243.9	252.3	258.6	262.5
7.5 inch		0.0	19.4	27.8	37.8	49.3	62.0	75.8	90.3	105.4	120.8	136.3	151.6	166.6	180.9	194.5	206.9	218.1	227.7	235.5	241.4	245.0
8 inch		0.0	18.2	26.0	35.4	46.2	58.1	71.0	84.6	98.8	113.2	127.8	142.1	156.2	169.6	182.3	194.0	204.4	213.5	220.8	226.3	229.7

Rice-Long Grain-Lamont

		Seed Rate Handle Setting Number																				
		0	5	10	15	20	25	30	35	40	45	50	55	60	65	70	75	80	85	90	95	100
Rows	Drive Type 1	Seed Rate in Pounds per Acres Based on 47 pounds/bushel																				
7 inch		0.0	1.0	3.8	6.7	9.7	12.7	15.8	18.9	22.0	25.0	28.0	30.8	33.6	36.3	38.8	41.1	43.2	45.1	46.7	48.1	49.2
7.5 inch		0.0	0.9	3.6	6.3	9.1	11.9	14.8	17.6	20.5	23.3	26.1	28.8	31.4	33.8	36.2	38.3	40.3	42.1	43.6	44.9	45.9
8 inch		0.0	0.9	3.3	5.9	8.5	11.1	13.8	16.5	19.2	21.9	24.5	27.0	29.4	31.7	33.9	35.9	37.8	39.4	40.9	42.1	43.0
Rows	Drive Type 2	Seed Rate in Pounds per Acres Based on 47 pounds/bushel																				
7 inch		0.0	2.1	7.8	13.8	19.9	26.2	32.5	38.8	45.1	51.4	57.5	63.4	69.1	74.5	79.7	84.4	88.8	92.6	96.0	98.8	101.0
7.5 inch		0.0	1.9	7.3	12.9	18.6	24.4	30.3	36.2	42.1	47.9	53.6	59.2	64.5	69.6	74.3	78.8	82.8	86.5	89.6	92.2	94.3
8 inch		0.0	1.8	6.8	12.1	17.4	22.9	28.4	34.0	39.5	44.9	50.3	55.5	60.5	65.2	69.7	73.9	77.7	81.1	84.0	86.5	88.4
Rows	Drive Type 3	Seed Rate in Pounds per Acres Based on 47 pounds/bushel																				
7 inch		0.0	3.5	12.0	20.6	29.4	38.2	47.1	55.9	64.8	73.6	82.3	90.9	99.3	107.6	115.7	123.6	131.2	138.5	145.5	152.1	158.3
7.5 inch		0.0	3.2	11.2	19.3	27.4	35.7	43.9	52.2	60.5	68.7	76.8	84.8	92.7	100.5	108.0	115.3	122.4	129.2	135.8	141.9	147.8
8 inch		0.0	3.0	10.5	18.1	25.7	33.4	41.2	48.9	56.7	64.4	72.0	79.5	86.9	94.2	101.3	108.1	114.8	121.2	127.3	133.1	138.5
Rows	Drive Type 4	Seed Rate in Pounds per Acres Based on 47 pounds/bushel																				
7 inch		0.0	5.7	19.6	33.7	47.9	62.3	76.7	91.2	105.6	119.9	134.2	148.2	162.0	175.5	188.7	201.5	213.9	225.8	237.2	248.0	258.2
7.5 inch		0.0	5.3	18.3	31.4	44.7	58.1	71.6	85.1	98.6	111.9	125.2	138.3	151.2	163.8	176.1	188.1	199.6	210.7	221.3	231.4	240.9
8 inch		0.0	5.0	17.1	29.4	41.9	54.5	67.1	79.8	92.4	105.0	117.4	129.7	141.7	153.6	165.1	176.3	187.1	197.6	207.5	217.0	225.9

Rate Charts, Main Seed Box, continued...

Rye

		Seed Rate Handle Setting Number																				
		0	5	10	15	20	25	30	35	40	45	50	55	60	65	70	75	80	85	90	95	100
Rows	Drive Type 1	Seed Rate in Pounds per Acres Based on 57 pounds/bushel																				
7 inch		0.0	4.4	7.7	11.6	15.9	20.6	25.7	31.1	36.6	42.3	48.1	53.9	59.6	65.2	70.5	75.6	80.4	84.8	88.6	92.0	94.7
7.5 inch		0.0	4.2	7.2	10.8	14.8	19.2	24.0	29.0	34.2	39.5	44.9	50.3	55.6	60.8	65.8	70.6	75.0	79.1	82.7	85.8	88.4
8 inch		0.0	3.9	6.8	10.1	13.9	18.0	22.5	27.2	32.0	37.0	42.1	47.1	52.1	57.0	61.7	66.2	70.4	74.2	77.6	80.5	82.8
Rows	Drive Type 2	Seed Rate in Pounds per Acres Based on 57 pounds/bushel																				
7 inch		0.0	9.1	15.9	23.8	32.7	42.4	52.8	63.8	75.3	87.0	98.9	110.8	122.5	134.0	145.0	155.5	165.3	174.2	182.2	189.0	194.6
7.5 inch		0.0	8.5	14.8	22.2	30.5	39.6	49.3	59.6	70.3	81.2	92.3	103.4	114.3	125.0	135.3	145.1	154.3	162.6	170.0	176.4	181.6
8 inch		0.0	8.0	13.9	20.8	28.6	37.1	46.2	55.9	65.9	76.1	86.5	96.9	107.2	117.2	126.9	136.1	144.6	152.5	159.4	165.4	170.3
Rows	Drive Type 3	Seed Rate in Pounds per Acres Based on 57 pounds/bushel																				
7 inch		0.0	15.7	25.0	36.0	48.7	62.8	78.2	94.5	111.6	129.2	147.3	165.4	183.6	201.4	218.8	235.5	251.3	266.0	279.4	291.3	301.4
7.5 inch		0.0	14.7	23.3	33.6	45.5	58.7	72.9	88.2	104.1	120.6	137.4	154.4	171.3	188.0	204.2	219.8	234.6	248.3	260.8	271.9	281.3
8 inch		0.0	13.8	21.8	31.5	42.6	55.0	68.4	82.7	97.6	113.1	128.8	144.8	160.6	176.3	191.5	206.1	219.9	232.8	244.5	254.9	263.7
Rows	Drive Type 4	Seed Rate in Pounds per Acres Based on 57 pounds/bushel																				
7 inch		0.0	25.6	40.7	58.8	79.5	102.5	127.4	154.0	181.9	210.7	240.1	269.7	299.3	328.4	356.8	384.0	409.8	433.8	455.6	474.9	491.5
7.5 inch		0.0	23.9	38.0	54.8	74.2	95.6	118.9	143.8	169.8	196.6	224.1	251.8	279.3	306.5	333.0	358.4	382.5	404.8	425.2	443.3	458.7
8 inch		0.0	22.4	35.6	51.4	69.5	89.7	111.5	134.8	159.2	184.4	210.1	236.0	261.9	287.4	312.2	336.0	358.6	379.5	398.6	415.6	430.0

Perennial Rye Grass-Palmer

		Seed Rate Handle Setting Number																				
		0	5	10	15	20	25	30	35	40	45	50	55	60	65	70	75	80	85	90	95	100
Rows	Drive Type 1	Seed Rate in Pounds per Acres Based on 36 pounds/bushel																				
7 inch		0.0	2.8	4.1	5.7	7.4	9.2	11.2	13.3	15.4	17.6	19.7	21.9	24.0	26.1	28.1	30.0	31.7	33.2	34.6	35.7	36.6
7.5 inch		0.0	2.6	3.9	5.3	6.9	8.6	10.5	12.4	14.4	16.4	18.4	20.5	22.4	24.4	26.2	28.0	29.6	31.0	32.3	33.3	34.2
8 inch		0.0	2.5	3.6	5.0	6.5	8.1	9.8	11.6	13.5	15.4	17.3	19.2	21.0	22.9	24.6	26.2	27.7	29.1	30.3	31.3	32.0
Rows	Drive Type 2	Seed Rate in Pounds per Acres Based on 36 pounds/bushel																				
7 inch		0.0	5.8	8.5	11.7	15.2	19.0	23.0	27.3	31.7	36.1	40.6	45.1	49.4	53.7	57.7	61.6	65.1	68.3	71.1	73.4	75.3
7.5 inch		0.0	5.4	8.0	10.9	14.2	17.7	21.5	25.5	29.5	33.7	37.9	42.0	46.1	50.1	53.9	57.5	60.8	63.7	66.4	68.5	70.3
8 inch		0.0	5.0	7.5	10.2	13.3	16.6	20.2	23.9	27.7	31.6	35.5	39.4	43.3	47.0	50.5	53.9	57.0	59.8	62.2	64.3	65.9
Rows	Drive Type 3	Seed Rate in Pounds per Acres Based on 36 pounds/bushel																				
7 inch		0.0	11.5	13.9	17.5	22.1	27.5	33.7	40.5	47.7	55.2	62.9	70.6	78.2	85.6	92.5	98.9	104.5	109.4	113.2	116.0	117.4
7.5 inch		0.0	10.8	13.0	16.3	20.6	25.7	31.5	37.8	44.5	51.6	58.7	65.9	73.0	79.9	86.3	92.3	97.6	102.1	105.7	108.2	109.6
8 inch		0.0	10.1	12.2	15.3	19.3	24.1	29.5	35.4	41.7	48.3	55.1	61.8	68.5	74.9	80.9	86.5	91.5	95.7	99.1	101.5	102.8
Rows	Drive Type 4	Seed Rate in Pounds per Acres Based on 36 pounds/bushel																				
7 inch		0.0	18.8	22.7	28.5	36.0	44.9	54.9	66.0	77.8	90.1	102.6	115.2	127.6	139.5	150.8	161.2	170.4	178.3	184.6	189.1	191.5
7.5 inch		0.0	17.6	21.2	26.6	33.6	41.9	51.3	61.6	72.6	84.1	95.8	107.5	119.1	130.2	140.7	150.4	159.1	166.4	172.3	176.5	178.7
8 inch		0.0	16.5	19.9	24.9	31.5	39.3	48.1	57.7	68.1	78.8	89.8	100.8	111.6	122.1	131.9	141.0	149.1	156.0	161.5	165.4	167.5

Rate Charts, Main Seed Box, continued...

Soybeans

		Seed Rate Handle Setting Number																				
		0	5	10	15	20	25	30	35	40	45	50	55	60	65	70	75	80	85	90	95	100
Rows	Drive Type 1	Seed Rate in Pounds per Acres Based on 58 pounds/bushel																				
7 inch		0.0	4.7	8.1	11.9	16.2	20.8	25.6	30.7	35.9	41.1	46.4	51.7	56.8	61.8	66.5	71.0	75.0	78.7	81.8	84.4	86.4
7.5 inch		0.0	4.4	7.6	11.1	15.1	19.4	23.9	28.6	33.5	38.4	43.3	48.2	53.0	57.7	62.1	66.2	70.0	73.4	76.4	78.8	80.7
8 inch		0.0	4.1	7.1	10.4	14.2	18.2	22.4	26.8	31.4	36.0	40.6	45.2	49.7	54.1	58.2	62.1	65.6	68.8	71.6	73.9	75.6
Rows	Drive Type 2	Seed Rate in Pounds per Acres Based on 58 pounds/bushel																				
7 inch		0.0	9.7	16.6	24.5	33.3	42.7	52.6	63.0	73.7	84.5	95.4	106.2	116.8	127.0	136.7	145.9	154.2	161.7	168.2	173.6	177.7
7.5 inch		0.0	9.0	15.5	22.9	31.0	39.8	49.1	58.8	68.8	78.9	89.1	99.1	109.0	118.5	127.6	136.1	143.9	150.9	157.0	162.0	165.8
8 inch		0.0	8.5	14.6	21.5	29.1	37.3	46.0	55.1	64.5	74.0	83.5	92.9	102.2	111.1	119.6	127.6	134.9	141.5	147.2	151.9	155.5
Rows	Drive Type 3	Seed Rate in Pounds per Acres Based on 58 pounds/bushel																				
7 inch		0.0	12.6	24.1	36.6	49.8	63.8	78.4	93.3	108.6	124.0	139.4	154.7	169.7	184.4	198.6	212.1	224.8	236.6	247.4	257.0	265.2
7.5 inch		0.0	11.8	22.5	34.1	46.5	59.6	73.1	87.1	101.3	115.7	130.1	144.4	158.4	172.1	185.3	198.0	209.8	220.9	230.9	239.8	247.5
8 inch		0.0	11.0	21.1	32.0	43.6	55.8	68.6	81.7	95.0	108.5	122.0	135.3	148.5	161.4	173.8	185.6	196.7	207.1	216.5	224.9	232.1
Rows	Drive Type 4	Seed Rate in Pounds per Acres Based on 58 pounds/bushel																				
7 inch		0.0	20.5	39.3	59.6	81.3	104.1	127.8	152.1	177.0	202.1	227.2	252.2	276.8	300.7	323.8	345.8	366.6	385.8	403.4	419.0	432.4
7.5 inch		0.0	19.2	36.7	55.6	75.9	97.1	119.2	142.0	165.2	188.6	212.1	235.4	258.3	280.6	302.2	322.8	342.1	360.1	376.5	391.0	403.6
8 inch		0.0	18.0	34.4	52.2	71.1	91.1	111.8	133.1	154.9	176.8	198.8	220.7	242.2	263.1	283.3	302.6	320.7	337.6	352.9	366.6	378.4

Sunflowers-Dahlgren Confection

		Seed Rate Handle Setting Number																				
		0	5	10	15	20	25	30	35	40	45	50	55	60	65	70	75	80	85	90	95	100
Rows	Drive Type 1	Seed Rate in Pounds per Acres Based on 28 pounds/bushel																				
7 inch		0.0	0.4	1.9	3.7	5.6	7.5	9.6	11.8	14.0	16.2	18.5	20.8	23.0	25.2	27.3	29.3	31.2	33.0	34.6	36.0	37.3
7.5 inch		0.0	0.3	1.8	3.4	5.2	7.0	9.0	11.0	13.1	15.2	17.3	19.4	21.4	23.5	25.4	27.3	29.1	30.8	32.3	33.6	34.8
8 inch		0.0	0.3	1.7	3.2	4.9	6.6	8.4	10.3	12.2	14.2	16.2	18.2	20.1	22.0	23.9	25.6	27.3	28.8	30.2	31.5	32.6
Rows	Drive Type 2	Seed Rate in Pounds per Acres Based on 28 pounds/bushel																				
7 inch		0.0	0.7	4.0	7.6	11.4	15.5	19.8	24.2	28.8	33.4	38.0	42.7	47.2	51.7	56.0	60.2	64.1	67.7	71.1	74.0	76.6
7.5 inch		0.0	0.7	3.7	7.1	10.6	14.5	18.5	22.6	26.9	31.2	35.5	39.8	44.1	48.3	52.3	56.2	59.8	63.2	66.3	69.1	71.5
8 inch		0.0	0.6	3.5	6.6	10.0	13.6	17.3	21.2	25.2	29.2	33.3	37.3	41.3	45.2	49.0	52.7	56.1	59.3	62.2	64.8	67.0
Rows	Drive Type 3	Seed Rate in Pounds per Acres Based on 28 pounds/bushel																				
7 inch		0.0	2.9	6.3	10.4	15.2	20.4	26.0	32.0	38.3	44.8	51.4	58.0	64.5	70.9	77.1	83.0	88.6	93.7	98.2	102.1	105.3
7.5 inch		0.0	2.7	5.9	9.8	14.1	19.0	24.3	29.9	35.8	41.8	47.9	54.1	60.2	66.2	72.0	77.5	82.7	87.4	91.6	95.3	98.3
8 inch		0.0	2.5	5.5	9.1	13.3	17.8	22.8	28.0	33.5	39.2	44.9	50.7	56.5	62.1	67.5	72.7	77.5	81.9	85.9	89.3	92.1
Rows	Drive Type 4	Seed Rate in Pounds per Acres Based on 28 pounds/bushel																				
7 inch		0.0	4.7	10.3	17.0	24.7	33.2	42.4	52.2	62.5	73.0	83.7	94.5	105.2	115.7	125.8	135.4	144.4	152.7	160.1	166.5	171.7
7.5 inch		0.0	4.4	9.6	15.9	23.1	31.0	39.6	48.7	58.3	68.1	78.1	88.2	98.2	107.9	117.4	126.4	134.8	142.5	149.4	155.4	160.3
8 inch		0.0	4.1	9.0	14.9	21.6	29.1	37.1	45.7	54.7	63.9	73.3	82.7	92.0	101.2	110.0	118.5	126.4	133.6	140.1	145.7	150.2

Rate Charts, Main Seed Box, continued...

Wheat-Abeline

		Seed Rate Handle Setting Number																				
		0	5	10	15	20	25	30	35	40	45	50	55	60	65	70	75	80	85	90	95	100
Rows	Drive Type 1	Seed Rate in Pounds per Acres Based on 64 pounds/bushel																				
7 inch		0.0	8.3	10.3	13.2	16.6	20.7	25.3	30.2	35.5	41.1	46.8	52.5	58.2	63.9	69.3	74.4	79.2	83.5	87.2	90.3	92.7
7.5 inch		0.0	7.7	9.7	12.3	15.5	19.3	23.6	28.2	33.2	38.3	43.6	49.0	54.4	59.6	64.7	69.5	73.9	77.9	81.4	84.3	86.6
8 inch		0.0	7.3	9.1	11.5	14.6	18.1	22.1	26.5	31.1	35.9	40.9	46.0	51.0	55.9	60.6	65.1	69.3	73.0	76.3	79.1	81.2
Rows	Drive Type 2	Seed Rate in Pounds per Acres Based on 64 pounds/bushel																				
7 inch		0.0	17.1	21.3	27.0	34.2	42.5	51.9	62.2	73.1	84.4	96.1	108.0	119.7	131.3	142.4	153.0	162.7	171.6	179.3	185.7	190.6
7.5 inch		0.0	15.9	19.8	25.2	31.9	39.7	48.5	58.0	68.2	78.8	89.7	100.8	111.7	122.5	132.9	142.8	151.9	160.1	167.3	173.3	177.9
8 inch		0.0	14.9	18.6	23.7	29.9	37.2	45.4	54.4	63.9	73.9	84.1	94.5	104.8	114.9	124.6	133.8	142.4	150.1	156.9	162.5	166.8
Rows	Drive Type 3	Seed Rate in Pounds per Acres Based on 64 pounds/bushel																				
7 inch		0.0	21.5	29.9	40.0	51.7	64.6	78.7	93.7	109.4	125.6	142.1	158.6	175.0	191.0	206.5	221.2	234.8	247.3	258.4	267.9	275.6
7.5 inch		0.0	20.1	27.9	37.3	48.2	60.3	73.5	87.5	102.2	117.3	132.6	148.0	163.3	178.3	192.7	206.4	219.2	230.9	241.2	250.0	257.2
8 inch		0.0	18.8	26.2	35.0	45.2	56.6	68.9	82.0	95.8	109.9	124.3	138.8	153.1	167.1	180.7	193.5	205.5	216.4	226.1	234.4	241.1
Rows	Drive Type 4	Seed Rate in Pounds per Acres Based on 64 pounds/bushel																				
7 inch		0.0	35.1	48.7	65.2	84.2	105.4	128.4	152.9	178.4	204.8	231.7	258.6	285.3	311.4	336.6	360.6	382.9	403.3	421.4	436.8	449.3
7.5 inch		0.0	32.7	45.5	60.9	78.6	98.4	119.8	142.7	166.6	191.2	216.2	241.4	266.3	290.7	314.2	336.5	357.4	376.4	393.3	407.7	419.3
8 inch		0.0	30.7	42.6	57.1	73.7	92.2	112.3	133.7	156.1	179.2	202.7	226.3	249.7	272.5	294.6	315.5	335.0	352.9	368.7	382.2	393.1

Wheat Grass-Buffalo Brand

		Seed Rate Handle Setting Number																				
		0	5	10	15	20	25	30	35	40	45	50	55	60	65	70	75	80	85	90	95	100
Rows	Drive Type 1	Seed Rate in Pounds per Acres Based on 23 pounds/bushel																				
7 inch		0.0	1.1	1.9	2.8	3.7	4.7	5.7	6.7	7.7	8.8	9.8	10.9	11.9	12.9	13.9	14.9	15.8	16.7	17.5	18.3	18.9
7.5 inch		0.0	1.0	1.8	2.6	3.5	4.4	5.3	6.3	7.2	8.2	9.2	10.2	11.1	12.1	13.0	13.9	14.7	15.6	16.3	17.0	17.7
8 inch		0.0	1.0	1.7	2.5	3.3	4.1	5.0	5.9	6.8	7.7	8.6	9.5	10.4	11.3	12.2	13.0	13.8	14.6	15.3	16.0	16.6
Rows	Drive Type 2	Seed Rate in Pounds per Acres Based on 23 pounds/bushel																				
7 inch		0.0	2.3	4.0	5.8	7.7	9.6	11.7	13.8	15.9	18.1	20.2	22.4	24.5	26.6	28.6	30.6	32.5	34.3	36.0	37.5	38.9
7.5 inch		0.0	2.1	3.7	5.4	7.2	9.0	10.9	12.9	14.8	16.9	18.9	20.9	22.9	24.8	26.7	28.5	30.3	32.0	33.6	35.0	36.3
8 inch		0.0	2.0	3.5	5.0	6.7	8.4	10.2	12.1	13.9	15.8	17.7	19.6	21.4	23.3	25.0	26.8	28.4	30.0	31.5	32.8	34.1
Rows	Drive Type 3	Seed Rate in Pounds per Acres Based on 23 pounds/bushel																				
7 inch		0.0	4.0	6.2	8.6	11.2	14.0	17.0	20.0	23.1	26.3	29.5	32.8	35.9	39.0	42.1	45.0	47.7	50.3	52.6	54.7	56.6
7.5 inch		0.0	3.8	5.8	8.1	10.5	13.1	15.8	18.7	21.6	24.6	27.6	30.6	33.5	36.4	39.3	42.0	44.5	46.9	49.1	51.1	52.8
8 inch		0.0	3.5	5.4	7.6	9.8	12.3	14.8	17.5	20.2	23.0	25.9	28.7	31.4	34.2	36.8	39.3	41.7	44.0	46.0	47.9	49.5
Rows	Drive Type 4	Seed Rate in Pounds per Acres Based on 23 pounds/bushel																				
7 inch		0.0	6.6	10.1	14.1	18.3	22.9	27.7	32.6	37.7	42.9	48.2	53.4	58.6	63.7	68.6	73.3	77.8	82.0	85.8	89.2	92.2
7.5 inch		0.0	6.2	9.5	13.1	17.1	21.4	25.8	30.5	35.2	40.1	45.0	49.8	54.7	59.4	64.0	68.4	72.6	76.5	80.1	83.3	86.1
8 inch		0.0	5.8	8.9	12.3	16.0	20.0	24.2	28.5	33.0	37.6	42.1	46.7	51.3	55.7	60.0	64.1	68.1	71.7	75.1	78.1	80.7



Small Seeds Attachment

To set and calibrate the seeding rate on the optional small seeds attachment, follow these steps:

Note: For drills built **after October 1, 2005**, calibrate using gauge wheel or supplied calibration crank. For drills built **before October 1, 2005**, calibrate using gauge wheel or order the calibration crank kit available through your Great Plains Dealer.

1. To calibrate, use either the left hand gauge wheel or the supplied calibration crank. If using the calibration crank, attach crank to coupler on gauge wheel jackshaft with retaining pin and disengage lockout on drive wheel.
2. Rotate left hand gauge wheel or calibration crank to see that feed cups and drive are working properly and are free from foreign matter.
3. From the small seeds seed rate charts beginning on page 17, find the setting number for desired feeding rate (and row spacing). Move the small seed cup adjustment lever to that setting number.
4. Record weight of an empty container large enough to hold seed metered for one acre.
5. Place several pounds of seed over three seed cups on an outside end of drill box. Pull seed tubes off of these three openers.
6. Turn drive gauge wheel or calibration crank several times to fill seed cups with seed. Turn wheel or crank until seed falls to the ground from each cup.
7. Rotate drive gauge wheel or calibration crank 595 rotations for the 706 and 411 rotations for the 1006.
This is equal to one acre.

Note: You can also rotate the gauge wheel jackshaft by means of a wrench or socket. If rotating gauge wheel jackshaft, disengage the lockout on the drive wheel and use same number of rotations as for rotating drive wheel.

8. Check that the three seed cups have plenty of seed coming into them.
9. Weigh metered seed. Subtract initial weight of container. Divide by three. Multiply by the number of openers on your drill to determine total pounds seeded per acre. If this figure is different than desired, set your seed rate adjustment handle accordingly.



Figure 5
Calibration Crank

23386

Drill Model	Revolutions for One	
	Acre	Hectare
706NT	595	1470
1006NT	411	1016

$$\frac{\text{MeasuredSeed} - \text{EmptyContainer}}{3} = \text{PoundsPerSeedCup}$$

$$\text{PoundsPerSeedCup} \times \text{NumberOfOpeners} = \text{PoundsPerAcre}$$

Note: You may want to repeat the calibration procedure if your results vary greatly from seed rate chart.

10. When drilling, check seeding rate by noting acres drilled, amount of seed added to small seed box and seed level in small seeds box. If you are seeding more or less than desired, adjust seeding rate slightly to compensate for field conditions.

Small Seeds Rate Charts

Metric small seeds box rates begin on page 37.

Alfalfa, Red Alsike, Crimson Clover

	Small Seeds Cup Lever Setting																				
	0	5	10	15	20	25	30	35	40	45	50	55	60	65	70	75	80	85	90	95	100
Rows	Seeding Rate in Pounds per Acre																				
7 inch	0	0.0	1.9	3.0	4.1	5.1	6.4	7.5	8.4	9.5	10.8	11.8	12.9	14.0	15.0	16.3	17.3	18.3	20.0	20.6	21.6
7.5 inch	0	0.0	1.8	2.8	3.9	4.8	6.0	7.0	7.9	9.0	10.0	11.1	12.1	13.2	14.0	15.3	16.2	17.2	18.3	19.3	20.3
8 inch	0	0.0	1.6	2.6	3.6	4.5	5.6	6.6	7.4	8.4	9.4	10.3	11.3	12.3	13.1	13.0	15.2	16.1	17.1	18.0	18.9
10 inch	0	0.0	1.3	2.1	2.8	3.5	4.4	5.1	5.8	6.6	7.4	8.1	8.9	9.7	10.3	11.2	11.9	12.6	13.4	14.2	14.9

Kentucky Bluegrass, Fescue, Annual Rye Grass

	Small Seeds Cup Lever Setting																				
	0	5	10	15	20	25	30	35	40	45	50	55	60	65	70	75	80	85	90	95	100
Rows	Seeding Rate in Pounds per Acre																				
7 inch	0	0.0	0.2	1.0	1.6	2.3	2.8	3.5	4.0	4.5	5.0	5.4	5.9	6.3	6.7	7.1	7.5	7.9	8.0	8.6	9.0
7.5 inch	0	0.0	0.2	.9	1.5	2.2	2.7	3.3	3.7	4.2	4.6	5.1	5.5	5.9	6.3	6.7	7.0	7.4	7.7	8.1	8.4
8 inch	0	0.0	0.2	0.9	1.4	2.0	2.5	3.0	3.5	3.9	4.3	4.8	5.1	5.5	5.9	6.2	6.6	6.9	7.5	7.5	7.9
10 inch	0	0.0	0.1	0.7	1.1	1.6	2.0	2.4	2.7	3.1	3.4	3.7	4.0	4.3	4.6	4.9	5.2	5.4	5.7	5.9	6.2

Bermuda, Red Top, Lespedeza Unhulled, Sercia, Sand, Weeping Love Grass

	Small Seeds Cup Lever Setting																				
	0	5	10	15	20	25	30	35	40	45	50	55	60	65	70	75	80	85	90	95	100
Rows	Seeding Rate in Pounds per Acre																				
7 inch	0	0.0	0.6	0.9	1.5	2.2	2.8	3.6	4.3	5.1	5.6	6.2	6.7	7.1	7.7	8.1	8.7	9.4	10.0	10.5	11.0
7.5 inch	0	0.0	0.5	0.9	1.4	2.1	2.6	3.3	4.0	4.7	5.3	5.8	6.3	6.7	7.2	7.6	8.2	8.8	9.3	9.8	10.4
8 inch	0	0.0	0.5	0.8	1.3	2.0	2.5	3.1	3.8	4.4	4.9	5.4	5.9	6.5	6.7	7.1	7.6	8.2	8.7	9.2	9.7
10 inch	0	0.0	0.4	0.6	1.0	1.5	1.9	2.4	3.0	3.5	3.9	4.2	4.6	4.9	5.3	5.6	6.0	6.4	6.8	7.2	7.6

Red & Sweet Clover, Lespedeza Hulled

	Small Seeds Cup Lever Setting																				
	0	5	10	15	20	25	30	35	40	45	50	55	60	65	70	75	80	85	90	95	100
Rows	Seeding Rate in Pounds per Acre																				
7 inch	0	0.0	1.3	2.9	4.5	6.1	7.7	9.7	11.3	13.1	14.6	16.3	17.8	19.3	21.0	22.7	24.6	25.8	27.5	29.0	30.5
7.5 inch	0	0.0	1.2	2.7	4.2	5.7	7.2	9.1	10.6	12.3	13.7	15.3	16.7	18.1	19.7	21.2	22.7	24.2	25.8	27.2	28.6
8 inch	0	0.0	1.1	2.5	3.9	5.3	6.7	8.5	9.9	11.5	12.8	14.3	15.6	16.9	18.3	19.8	21.2	22.6	24.1	25.4	26.7
10 inch	0	0.0	0.9	2.0	3.1	4.2	5.3	6.7	7.8	9.0	10.0	11.2	12.2	13.3	14.4	15.6	16.6	17.8	18.9	19.9	20.9

Rate Charts, Small Seeds Box, continued...

Orchard Grass

	Small Seeds Cup Lever Setting																				
	0	5	10	15	20	25	30	35	40	45	50	55	60	65	70	75	80	85	90	95	100
Rows	Seeding Rate in Pounds per Acre																				
7 inch	0	0.0	0.0	0.2	0.6	.7	1.1	1.3	1.7	2.1	2.4	2.8	3.0	3.4	3.7	4.1	4.3	4.7	5.0	5.2	5.4
7.5 inch	0	0.0	0.0	0.2	0.5	0.7	1.1	1.2	1.6	1.9	2.3	2.6	2.8	3.2	3.5	3.9	4.0	4.4	4.6	4.9	5.1
8 inch	0	0.0	0.0	0.2	0.5	0.7	1.0	1.1	1.5	1.8	2.1	2.5	2.6	2.9	3.3	3.6	3.8	4.1	4.3	4.6	4.8
10 inch	0	0.0	0.0	0.1	0.4	0.5	.8	0.9	1.2	1.4	1.7	1.9	2.1	2.3	2.6	2.8	3.0	3.2	3.3	3.6	3.7

Millet, Reed Canary

	Small Seeds Cup Lever Setting																				
	0	5	10	15	20	25	30	35	40	45	50	55	60	65	70	75	80	85	90	95	100
Rows	Seeding Rate in Pounds per Acre																				
7 inch	0	0.4	1.2	2.1	3.0	3.8	4.7	5.6	6.4	7.3	8.1	9.0	9.9	10.7	11.6	12.5	13.3	14.2	15.1	15.9	16.1
7.5 inch	0	0.3	1.2	2.0	2.8	3.6	4.4	5.2	6.0	6.8	7.6	8.4	9.3	10.1	10.9	11.7	12.5	13.3	14.1	14.9	15.1
8 inch	0	0.3	1.1	1.8	2.6	3.3	4.1	4.9	5.6	6.4	7.1	7.9	8.6	9.4	10.2	10.9	11.7	12.4	13.2	13.9	14.1
10 inch	0	0.3	0.8	1.4	2.0	2.6	3.2	3.8	4.4	5.0	5.6	6.2	6.8	7.4	8.0	8.6	9.2	9.8	10.4	10.9	11.5

Ladino Clover, Canary Grass, Timothy, Canola

	Small Seeds Cup Lever Setting																				
	0	5	10	15	20	25	30	35	40	45	50	55	60	65	70	75	80	85	90	95	100
Rows	Seeding Rate in Pounds per Acre																				
7 inch	0	0.0	0.9	1.7	2.8	4.1	5.2	6.6	7.9	9.2	10.5	11.8	13.3	14.6	15.9	17.4	18.7	20.0	22.0	23.4	25.1
7.5 inch	0	0.0	0.9	1.6	2.6	3.9	4.9	6.1	7.4	8.6	9.8	11.1	12.5	13.7	14.9	16.3	17.6	18.8	20.4	21.9	23.5
8 inch	0	0.0	0.8	1.5	2.5	3.6	4.6	5.7	6.9	8.0	9.2	10.3	11.6	12.8	13.9	15.2	16.4	17.5	19.0	20.5	21.9
10 inch	0	0.0	0.6	1.5	1.9	2.5	3.6	4.5	5.4	6.3	7.2	8.1	9.1	10.0	10.9	12.0	12.9	13.8	14.9	16.1	17.2

Birdsfoot, Trefoil, Sudan

	Small Seeds Cup Lever Setting																				
	0	5	10	15	20	25	30	35	40	45	50	55	60	65	70	75	80	85	90	95	100
Rows	Seeding Rate in Pounds per Acre																				
7 inch	0	0.0	1.5	2.8	4.5	5.8	7.5	9.2	10.9	12.5	14.4	16.5	18.2	20.0	21.9	24.0	25.6	27.5	29.0	31.1	32.9
7.5 inch	0	0.0	1.4	2.6	4.2	5.4	7.0	8.6	10.2	11.9	13.5	15.4	17.0	18.8	20.5	22.5	24.0	25.8	27.6	29.1	30.9
8 inch	0	0.0	1.3	2.5	3.9	5.1	6.6	8.1	9.5	11.0	12.6	14.4	15.9	17.5	19.2	21.0	22.4	24.1	25.7	27.2	28.8
10 inch	0	0.0	1.0	1.9	3.1	4.0	5.1	6.3	7.5	8.6	9.9	11.3	12.5	13.8	15.1	16.5	17.6	18.9	20.2	21.4	22.7



Native Grass Attachment

The Native Grass box is for seeding fluffy, native grass blends like Big Blue Stem, Indian Grass, and Oats Grama.

To adjust seeding rate:

1. Find the desired pounds per acre on the Native Grass Rate Chart.

Refer to Figure 6

2. Determine which sprocket is required for the native grass box. The sprockets are stored on the right hand side of the drill frame.

To change sprockets, loosen the chain idlers ① and remove chain.

Replace current sprocket ② with desired sprocket.

Refer to Figure 7

Move gearbox selector handle ③ to desired drive type.

Checking Seed Rate

1. Record weight of an empty container large enough to hold seed metered for one acre.
2. Fill three or more compartments at least 1/2 full of seed at the outboard end of the box. Pull seed tubes off the openers under the compartments.

Note: For drills built after **October 1, 2005**, calibrate using right hand gauge wheel or supplied calibration crank.
For drills built **before October 1, 2005**, calibrate using right hand gauge wheel or order the calibration crank kit available through your Great Plains Dealer.

Note: If ordering the calibration crank kit, it is necessary to order a second calibration coupler for native grass units. Extra calibration couplers are available for order through your Great Plains Dealer.

3. To calibrate using right hand gauge wheel, lower the drill hydraulically to planting position in order to activate clutch. Raise the right drive wheel tire off the ground using a jack. Engage the gauge wheel lockout on the right-hand side.
4. To calibrate using calibration crank, attach calibration crank to coupler on right hand side of gauge wheel jackshaft using retaining pin.



Figure 6
Sprocket Storage

20483

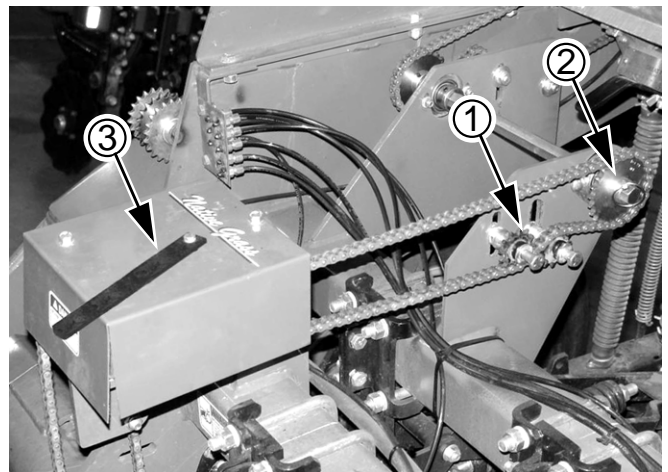


Figure 7
Native Grass Drive Type

20484

5. Turn gauge wheel or crank several times to fill seed cups with seed. Turn wheel or calibration crank until seed falls to the ground from each cup.
6. Place empty container under the three seed tubes to gather seed as it is metered.
7. Rotate gauge wheel or calibration crank
595 rotations for 706NT and
411 rotations for 1006NT.
This is equal to one acre.

Note: You can also rotate the gauge wheel jackshaft by means of a wrench or socket. If rotating gauge wheel jackshaft, disengage the lockout on the drive wheel and use same number of rotations as for rotating drive wheel.

8. Check that the three seed cups have plenty of seed coming into them.
9. Weigh metered seed. Subtract initial weight of container. Divide by three. Multiply by the number of openers on your drill to determine total pounds seeded per acre. If this figure is different than desired, change your sprockets and drive type accordingly.

Note: You may want to repeat the calibration procedure if your results vary greatly from seed rate chart.

10. When drilling, check the amount of seed you are using by noting the acres drilled, amount of seed added to drill, and the level of seed in the box. If you suspect you are drilling more or less seed than desired, and you have accurately calibrated the drill to you seed, you may need to change your sprocket arrangement to compensate for your field conditions.

The Native Grass Rate Chart is based on a seed mix of 5.7 pounds of pure live seed per 11.1 pounds of bulk. The pure live seed mix:

- Big Blue - 1.5 pounds
- Little Blue - 0.8 pounds
- Slide Oats Grama - 0.6 pounds
- Western Wheat Grass - 1 pound
- Switch Grass - 0.3 pounds
- Indian Grass - 1.5 pounds

Factors which will affect seeding rates are: weight of seed, size of seed, relative humidity and moisture content of the seed, ratio of inert material to seed, different proportions of seed types affecting density, tire configuration, tire pressure and tire slippage.

All seed mixes will vary.

The rates are based on 9.00 x 24 8 Ply tires.

Drill Model	Revolutions for One	
	Acre	Hectare
706NT	595	1470
1006NT	411	1016

$$\frac{\text{MeasuredSeed} - \text{EmptyContainer}}{3} = \text{PoundsPerSeedCup}$$

$$\text{PoundsPerSeedCup} \times \text{NumberOfOpeners} = \text{PoundsPerAcre}$$

IMPORTANT !

The attached charts are to be used as a reference to your own native grass mix. All native grass mixes will vary so this is why you must calibrate each mix using our charts as a starting point only.

IMPORTANT !

To prevent damage to the Native Grass box agitator and its drive components, do not transport drill with Native Grass box loaded with seed.

IMPORTANT !

For Native Grass Mix Only Powdered graphite must be mixed with the native grass seed mix for proper seed flow and metering.

Recommended Usage:

Sprinkle 1/3 cup of graphite per 6 ft of seed box on top of the native grass seed mix.

For humid planting environments, double or triple rate as needed.

Native Grass Seed Rates

Metric main seed box rates begin on page 24.

Native Grass Mix

	Driven Sprocket	15	16	17	18	19	20	21	22	23	24
Rows	Drive Type	Seeding Rate in Pounds Per Acre									
7 inch	1	9.0	8.4	7.9	7.5	7.1	6.7	6.4	6.1	5.9	5.6
	2	18.5	17.3	16.3	15.4	14.6	13.9	13.2	12.6	12.1	11.6
	3	27.7	26.0	24.5	23.1	21.9	20.8	19.8	18.9	18.1	17.3
	4	45.2	42.4	39.9	37.7	35.7	33.9	32.3	30.8	29.5	28.3
7.5 inch	1	8.4	7.9	7.4	7.0	6.6	6.3	6.0	5.7	5.5	5.2
	2	17.3	16.2	15.2	14.4	13.6	12.9	12.3	11.8	11.3	10.8
	3	25.9	24.3	22.8	21.6	20.4	19.4	18.5	17.7	16.9	16.2
	4	42.2	39.6	37.2	35.2	33.3	31.7	30.2	28.8	27.5	26.4
8 inch	1	7.9	7.4	6.9	6.6	6.2	5.9	5.6	5.4	5.1	4.9
	2	16.2	15.2	14.3	13.5	12.8	12.1	11.6	11.0	10.6	10.1
	3	24.3	22.8	21.34	20.2	19.2	18.2	17.3	16.6	15.8	15.2
	4	39.6	37.1	34.9	33.0	31.2	29.7	28.3	27.0	25.8	24.7

Brome Grass

	Driven Sprocket	15	16	17	18	19	20	21	22	23	24
Rows	Drive Type	Seeding Rate in Pounds Per Acre									
7 inch	1	9.0	8.4	7.9	7.5	7.1	6.7	6.4	6.1	5.9	5.6
	2	18.5	17.3	16.3	15.4	14.6	13.9	13.2	12.6	12.1	11.6
	3	27.7	26.0	24.5	23.1	21.9	20.8	19.8	18.9	18.1	17.3
	4	45.2	42.4	39.9	37.7	35.7	33.9	32.3	30.8	29.5	28.3
7.5 inch	1	8.4	7.9	7.4	7.0	6.6	6.3	6.0	5.7	5.5	5.2
	2	17.3	16.2	15.2	14.4	13.6	12.9	12.3	11.8	11.3	10.8
	3	25.9	24.3	22.8	21.6	20.4	19.4	18.5	17.7	16.9	16.2
	4	42.2	39.6	37.2	35.2	33.3	31.7	30.2	28.8	27.5	26.4
8 inch	1	7.9	7.4	6.9	6.6	6.2	5.9	5.6	5.4	5.1	4.9
	2	16.2	15.2	14.3	13.5	12.8	12.1	11.6	11.0	10.6	10.1
	3	24.3	22.8	21.34	20.2	19.2	18.2	17.3	16.6	15.8	15.2
	4	39.6	37.1	34.9	33.0	31.2	29.7	28.3	27.0	25.8	24.7



Fertilizer Rate

Fertilizer application rates will vary with fertilizer type, density and particle size. Relative humidity and field conditions can also affect application rates. The chart on page 23 is based on material with a density of 65 pounds per cubic foot (1.04 kg/L) and average particle size. Initially set rate according to the charts, then calibrate the drill to your material as described below.

Note: For drills built **after October 1, 2005**, calibrate using gauge wheels or supplied calibration crank.

For drills built **before October 1, 2005**, calibrate using gauge wheels or order calibration crank available through your Great Plains Dealer.

1. To calibrate using gauge wheels, raise drill with tractor hydraulics so drive wheels are off the ground. To calibrate using supplied calibration crank, attach crank to coupler on gauge wheel jackshaft with retaining pin. Disengage lockout on the drive wheels.
2. Rotate drive wheels or calibration crank to see that metering system is working properly and free from foreign material.
3. From the chart on page 23, find the setting number for your row spacing and desired application rate. Rotate gate adjustment knob to the number obtained from the chart.
4. Check that gauge-wheel tires are the correct size and properly inflated. Refer to "**Tire Inflation Chart**" in the operator's manual.
5. Record the weight of an empty container large enough to hold fertilizer metered for one acre.
6. Place several pounds of fertilizer over three fertilizer feed cups on outside end of drill box. Pull fertilizer tubes off these three openers.
7. Turn gauge wheels or calibration crank a few turns to fill feed cups with material. Continue to turn until fertilizer drops to the ground from all three tubes.

Note: You can also rotate the gauge wheel jackshaft by means of a wrench or socket. If rotating gauge wheel jackshaft, disengage the lockout on the drive wheel and use same number of rotations as for rotating drive wheel.

8. Place a container under the three tubes to gather metered fertilizer.



Figure 8
Calibration Crank

23386

IMPORTANT !

The fertilizer rate chart is for granular fertilizer with a density of 65 pounds per cubic foot (1.04 kg/L). If you are applying fertilizer with a different density, use the density conversion chart.

9. Turn gauge wheel or calibration crank for:
595 rotations for the 706 drill and
411 rotations for the 1006 drill.
This is equal to one acre.
10. Check that the three feed cups have plenty of fertilizer coming into them.
11. Weigh metered material. Subtract initial weight of the empty container. Divide by 3. Multiply by the number of openers on your drill to determine total pounds-per-acre metered. If this figure is different than desired, reset adjustment knob accordingly.

Drill Model	Revolutions for One	
	Acre	Hectare
706NT	595	1470
1006NT	411	1016

$$\frac{\text{MeasuredMaterial} - \text{EmptyContainer}}{3} = \text{PoundsPerDropTube}$$

$$\text{PoundsPerDropTube} \times \text{NumberOfTubes} = \text{PoundsPerAcre}$$

Fertilizer Rate Chart

Metric fertilizer rate is on page 40.

Rates in Pounds per Acre

Rows	Setting Number																	
	15	20	25	30	35	40	45	50	55	60	65	70	75	80	85	90	95	100
	Application Rate - Pounds per Acre																	
7 inch	13	23	41	57	78	95	111	131	148	165	184	199	221	235	246	256	259	261
7.5 inch	11	20	38	54	72	89	105	123	138	157	174	187	209	223	234	242	245	247
8 inch	11	20	36	50	69	84	98	115	130	146	163	176	195	207	219	226	228	231
10 inch	8	16	29	40	54	67	79	92	104	118	131	140	157	167	175	182	183	185

Density Conversion Charts

The fertilizer meter rate charts are based on fertilizer with a density of 65 pounds per cubic foot (1.04 kilograms per liter). If you are applying fertilizer of a different density, use the following table to convert application rate.

Density, lb/ft ³	45.0	50.0	55.0	60.0	65.0	70.0	75.0	80.0
Conversion Factor	1.45	1.30	1.20	1.10	1.00	0.93	0.87	0.81

Example: Your fertilizer has a density of 75 pounds per cubic foot, and you want to apply 100 pounds per acre. Multiply the desired application rate by the conversion factor.

$$100 \times 0.87 = 87$$

Adjust drill to the setting closest to 87 pounds per acre.



Metric Rate Charts

Metric Rate Charts, Main Seed Box

Main seed box rate instructions are on page 1.
 Charts in U.S. customary units begin on page 4.

Alfalfa

Metric	Seed Rate Handle Setting Number																													
	0	5	10	15	20	25	30	35	40	45	50	55	60	65	70	75	80	85	90	95	100									
Rows	Drive Type 1										Seed Rate in Kilograms per Hectare										Based on 0.77 kg/Liter									
17.8 cm (7in)	0	6.0	8.8	12.0	15.5	19.3	23.4	27.8	32.4	37.1	41.9	46.8	51.7	56.6	61.5	66.3	70.9	75.3	79.6	83.5	87.2									
19.1 cm (7.5in)	0	5.6	8.2	11.2	14.4	18.0	21.9	26.0	30.2	34.6	39.1	43.7	48.3	52.9	57.4	61.8	66.2	70.3	74.2	77.9	81.3									
20.3 cm (8in)	0	5.3	7.7	10.5	13.5	16.9	20.5	24.3	28.3	32.4	36.7	41.0	45.3	49.6	53.8	58.0	62.0	65.9	69.6	73.1	76.3									
Rows	Drive Type 2										Seed Rate in Kilograms per Hectare										Based on 0.77 kg/Liter									
17.8 cm (7in)	0	12.4	18.1	24.6	31.8	39.7	48.2	57.2	66.5	76.2	86.1	96.2	106.3	116.4	126.4	136.2	145.7	154.8	163.5	171.6	179.1									
19.1 cm (7.5in)	0	11.6	16.9	22.9	29.7	37.1	45.0	53.3	62.1	71.1	80.4	89.8	99.3	108.7	118.0	127.1	136.0	144.5	152.6	160.2	167.2									
20.3 cm (8in)	0	10.9	15.8	21.5	27.8	34.7	42.2	50.0	58.2	66.7	75.4	84.2	93.0	101.9	110.6	119.2	127.5	135.5	143.1	150.2	156.8									
Rows	Drive Type 3										Seed Rate in Kilograms per Hectare										Based on 0.77 kg/Liter									
17.8 cm (7in)	0	20.1	28.4	37.9	48.5	60.0	72.4	85.4	99.0	113.1	127.4	141.9	156.5	170.9	185.1	198.9	212.3	225.0	236.9	248.0	258.0									
19.1 cm (7.5in)	0	18.8	26.5	35.4	45.2	56.0	67.5	79.7	92.4	105.5	118.9	132.5	146.0	159.5	172.8	185.7	198.1	210.0	221.1	231.5	240.8									
20.3 cm (8in)	0	17.6	24.9	33.2	42.4	52.5	63.3	74.7	86.7	98.9	111.5	124.2	136.9	149.5	162.0	174.1	185.7	196.9	207.3	217.0	225.8									
Rows	Drive Type 4										Seed Rate in Kilograms per Hectare										Based on 0.77 kg/Liter									
17.8 cm (7in)	0	32.8	46.3	61.8	79.0	97.8	118.0	139.3	161.5	184.4	207.8	231.4	255.1	278.6	301.8	324.3	346.1	366.8	386.3	404.3	420.7									
19.1 cm (7.5in)	0	30.6	43.2	57.7	73.8	91.3	110.1	130.0	150.7	172.1	193.9	216.0	238.1	260.0	281.7	302.7	323.0	342.4	360.5	377.4	392.6									
20.3 cm (8in)	0	28.7	40.5	54.1	69.2	85.6	103.3	121.9	141.3	161.3	181.8	202.5	223.2	243.8	264.1	283.8	302.8	321.0	338.0	353.8	368.1									

Metric Rate Charts, Main Seed Box, continued...

Barley-Schuyler

Metric	Seed Rate Handle Setting Number																													
	0	5	10	15	20	25	30	35	40	45	50	55	60	65	70	75	80	85	90	95	100									
Rows	Drive Type 1										Seed Rate in Kilograms per Hectare										Based on 0.66 kg/Liter									
17.8 cm (7in)	0	6.2	8.3	11.0	14.3	18.0	22.1	26.6	31.2	36.1	40.9	45.8	50.6	55.3	59.7	63.7	67.4	70.6	73.2	75.2	76.5									
19.1 cm (7.5in)	0	5.8	7.7	10.3	13.3	16.8	20.7	24.8	29.2	33.7	38.2	42.8	47.3	51.6	55.7	59.5	62.9	65.9	68.3	70.2	71.4									
20.3 cm (8in)	0	5.4	7.2	9.6	12.5	15.8	19.4	23.3	27.3	31.6	35.8	40.1	44.3	48.4	52.2	55.8	59.0	61.8	64.1	65.8	66.9									
Rows	Drive Type 2										Seed Rate in Kilograms per Hectare										Based on 0.66 kg/Liter									
17.8 cm (7in)	0	12.7	17.0	22.6	29.3	37.0	45.5	54.6	64.2	74.1	84.2	94.2	104.1	113.6	122.6	131.0	138.5	145.1	150.5	154.6	157.3									
19.1 cm (7.5in)	0	11.9	15.9	21.1	27.4	34.6	42.5	51.0	59.9	69.2	78.6	87.9	97.1	106.0	114.5	122.3	129.3	135.4	140.5	144.3	146.8									
20.3 cm (8in)	0	11.1	14.9	19.8	25.7	32.4	39.8	47.8	56.2	64.9	73.7	82.4	91.1	99.4	107.3	114.6	121.2	127.0	131.7	135.3	137.6									
Rows	Drive Type 3										Seed Rate in Kilograms per Hectare										Based on 0.66 kg/Liter									
17.8 cm (7in)	0	18.0	25.6	34.6	44.8	56.1	68.4	81.4	95.0	109.0	123.2	137.6	151.9	166.0	179.7	192.8	205.2	216.6	227.1	236.3	244.1									
19.1 cm (7.5in)	0	16.8	23.9	32.2	41.8	52.4	63.8	75.9	88.6	101.7	115.0	128.4	141.8	154.9	167.7	179.9	191.5	202.2	211.9	220.6	227.9									
20.3 cm (8in)	0	15.7	22.4	30.2	39.2	49.1	59.8	71.2	83.1	95.4	107.8	120.4	132.9	145.2	157.2	168.7	179.5	189.6	198.7	206.8	213.6									
Rows	Drive Type 4										Seed Rate in Kilograms per Hectare										Based on 0.66 kg/Liter									
17.8 cm (7in)	0	29.3	41.7	56.3	73.0	91.5	111.5	132.7	154.8	177.7	200.9	224.4	247.7	270.6	292.9	314.3	334.5	353.2	370.3	385.3	398.1									
19.1 cm (7.5in)	0	27.3	38.9	52.6	68.2	85.4	104.0	123.8	144.5	165.8	187.5	209.4	231.2	252.6	273.4	293.3	312.2	329.7	345.6	359.6	371.5									
20.3 cm (8in)	0	25.6	36.5	49.3	63.9	80.1	97.5	116.1	135.5	155.5	175.8	196.3	216.7	236.8	256.3	275.0	292.7	309.1	324.0	337.1	348.3									

Bermuda Grass

Metric	Seed Rate Handle Setting Number																													
	0	5	10	15	20	25	30	35	40	45	50	55	60	65	70	75	80	85	90	95	100									
Rows	Drive Type 1										Seed Rate in Kilograms per Hectare										Based on 0.77 kg/Liter									
17.8 cm (7in)	0	2.3	4.6	7.0	9.4	11.9	14.5	17.1	19.7	22.3	24.9	27.6	30.2	32.8	35.4	38.0	40.5	42.9	45.3	47.6	49.9									
19.1 cm (7.5in)	0	2.2	4.3	6.5	8.8	11.1	13.5	15.9	18.4	20.8	23.3	25.7	28.2	30.6	33.1	35.4	37.8	40.1	42.3	44.5	46.6									
20.3 cm (8in)	0	2.0	4.0	6.1	8.2	10.4	12.7	14.9	17.2	19.5	21.8	24.1	26.4	28.7	31.0	33.2	35.4	37.6	39.7	41.7	43.6									
Rows	Drive Type 2										Seed Rate in Kilograms per Hectare										Based on 0.77 kg/Liter									
17.8 cm (7in)	0	4.7	9.5	14.4	19.4	24.5	29.7	35.1	40.4	45.8	51.3	56.7	62.1	67.5	72.8	78.1	83.2	88.3	93.2	97.9	102.5									
19.1 cm (7.5in)	0	4.4	8.8	13.4	18.1	22.9	27.8	32.7	37.7	42.8	47.8	52.9	58.0	63.0	68.0	72.9	77.7	82.4	87.0	91.4	95.7									
20.3 cm (8in)	0	4.1	8.3	12.6	16.9	21.4	26.0	30.7	35.4	40.1	44.9	49.6	54.4	59.1	63.7	68.3	72.8	77.2	81.5	85.7	89.7									
Rows	Drive Type 3										Seed Rate in Kilograms per Hectare										Based on 0.77 kg/Liter									
17.8 cm (7in)	0	7.5	14.5	21.8	29.3	36.9	44.6	52.4	60.3	68.1	76.0	83.8	91.6	99.2	106.7	114.0	121.0	127.9	134.4	140.7	146.6									
19.1 cm (7.5in)	0	7.0	13.6	20.4	27.3	34.4	41.6	48.9	56.2	63.6	70.9	78.2	85.5	92.6	99.5	106.4	113.0	119.4	125.5	131.3	136.8									
20.3 cm (8in)	0	6.5	12.7	19.1	25.6	32.3	39.0	45.8	52.7	59.6	66.5	73.3	80.1	86.8	93.3	99.7	105.9	111.9	117.6	123.1	128.3									
Rows	Drive Type 4										Seed Rate in Kilograms per Hectare										Based on 0.77 kg/Liter									
17.8 cm (7in)	0	12.2	23.7	35.6	47.7	60.1	72.7	85.4	98.2	111.1	123.9	136.7	149.3	161.7	173.9	185.8	197.4	208.5	219.2	229.4	239.0									
19.1 cm (7.5in)	0	11.4	22.1	33.2	44.5	56.1	67.9	79.7	91.7	103.7	115.7	127.6	139.3	150.9	162.3	173.4	184.2	194.6	204.6	214.1	223.1									
20.3 cm (8in)	0	10.7	20.7	31.1	41.7	52.6	63.6	74.8	86.0	97.2	108.4	119.6	130.6	141.5	152.2	162.6	172.7	182.4	191.8	200.7	209.1									

Metric Rate Charts, Main Seed Box, continued...

Buckwheat-Common

Metric	Seed Rate Handle Setting Number																													
	0	5	10	15	20	25	30	35	40	45	50	55	60	65	70	75	80	85	90	95	100									
Rows	Drive Type 1										Seed Rate in Kilograms per Hectare										Based on 0.62 kg/Liter									
17.8 cm (7in)	0	5.1	7.5	10.4	13.8	17.5	21.6	26.0	30.5	35.1	39.8	44.5	49.1	53.5	57.7	61.6	65.1	68.2	70.8	72.8	74.2									
19.1 cm (7.5in)	0	4.8	7.0	9.7	12.9	16.4	20.2	24.2	28.5	32.8	37.2	41.5	45.8	49.9	53.8	57.5	60.8	63.7	66.1	68.0	69.3									
20.3 cm (8in)	0	4.5	6.6	9.1	12.1	15.3	18.9	22.7	26.7	30.7	34.8	38.9	42.9	46.8	50.5	53.9	57.0	59.7	62.0	63.7	64.9									
Rows	Drive Type 2										Seed Rate in Kilograms per Hectare										Based on 0.62 kg/Liter									
17.8 cm (7in)	0	10.5	15.4	21.4	28.3	36.1	44.4	53.4	62.7	72.2	81.8	91.4	100.9	109.9	118.6	126.6	133.8	140.2	145.5	149.7	152.5									
19.1 cm (7.5in)	0	9.8	14.4	20.0	26.4	33.6	41.5	49.8	58.5	67.4	76.4	85.3	94.1	102.6	110.7	118.1	124.9	130.9	135.8	139.7	142.4									
20.3 cm (8in)	0	9.2	13.5	18.7	24.8	31.5	38.9	46.7	54.8	63.2	71.6	80.0	88.2	96.2	103.7	110.8	117.1	122.7	127.3	131.0	133.5									
Rows	Drive Type 3										Seed Rate in Kilograms per Hectare										Based on 0.62 kg/Liter									
17.8 cm (7in)	0	19.6	24.0	31.0	40.3	51.7	64.7	79.2	94.7	111.1	128.0	145.0	162.0	178.6	194.5	209.3	222.9	234.9	245.0	252.8	258.2									
19.1 cm (7.5in)	0	18.3	22.4	29.0	37.7	48.2	60.4	73.9	88.4	103.7	119.4	135.4	151.2	166.7	181.5	195.4	208.1	219.2	228.6	236.0	241.0									
20.3 cm (8in)	0	17.2	21.0	27.1	35.3	45.2	56.6	69.3	82.9	97.2	112.0	126.9	141.8	156.3	170.2	183.2	195.1	205.5	214.3	221.5	225.9									
Rows	Drive Type 4										Seed Rate in Kilograms per Hectare										Based on 0.62 kg/Liter									
17.8 cm (7in)	0	32.0	39.1	50.6	65.8	84.3	105.5	129.1	154.5	181.1	208.6	236.5	264.2	291.2	317.1	341.3	363.4	383.0	399.4	412.2	420.9									
19.1 cm (7.5in)	0	29.8	36.5	47.2	61.4	78.6	98.5	120.5	144.2	169.1	194.7	220.7	246.5	271.8	295.9	318.6	339.2	357.4	372.8	384.7	392.9									
20.3 cm (8in)	0	28.0	34.3	44.3	57.6	73.7	92.3	113.0	135.1	158.5	182.6	206.9	231.1	254.8	277.4	298.7	318.0	335.1	349.5	360.7	368.3									

Buffalograss

Metric	Seed Rate Handle Setting Number																													
	0	5	10	15	20	25	30	35	40	45	50	55	60	65	70	75	80	85	90	95	100									
Rows	Drive Type 1										Seed Rate in Kilograms per Hectare										Based on 0.30 kg/Liter									
17.8 cm (7in)	0	1.1	2.3	3.4	4.5	6.8	7.9	10.1	11.3	13.5	14.6	16.9	18.0	20.3	21.4	22.5	23.7	23.7	24.8	24.8	24.8									
19.1 cm (7.5in)	0	1.1	2.3	3.4	4.5	5.6	7.9	9.0	11.3	12.4	14.6	15.8	16.9	19.2	20.3	21.4	22.5	22.5	22.5	22.5	22.5									
20.3 cm (8in)	0	1.1	2.3	3.4	4.5	5.6	6.8	9.0	10.1	11.3	13.5	14.6	15.8	18.0	19.2	20.3	20.3	21.4	21.4	21.4	21.4									
Rows	Drive Type 2										Seed Rate in Kilograms per Hectare										Based on 0.30 kg/Liter									
17.8 cm (7in)	0	3.4	4.5	7.9	10.1	13.5	16.9	20.3	23.7	27.0	31.6	34.9	38.3	41.7	43.9	46.2	48.5	49.6	50.7	50.7	49.6									
19.1 cm (7.5in)	0	2.3	4.5	6.8	9.0	12.4	15.8	19.2	22.5	25.9	29.3	32.7	36.1	38.3	40.6	42.8	45.1	46.2	47.3	47.3	46.2									
20.3 cm (8in)	0	2.3	4.5	6.8	9.0	11.3	14.6	18.0	21.4	23.7	27.0	30.4	33.8	36.1	38.3	40.6	42.8	43.9	43.9	43.9	43.9									
Rows	Drive Type 3										Seed Rate in Kilograms per Hectare										Based on 0.30 kg/Liter									
17.8 cm (7in)	0	5.6	7.9	11.3	14.6	19.2	23.7	29.3	34.9	40.6	46.2	51.8	56.3	62.0	66.5	69.9	73.2	75.5	77.7	77.7	77.7									
19.1 cm (7.5in)	0	5.6	7.9	10.1	13.5	18.0	22.5	27.0	32.7	38.3	42.8	48.5	53.0	57.5	62.0	65.4	68.7	71.0	72.1	73.2	72.1									
20.3 cm (8in)	0	4.5	6.8	10.1	13.5	16.9	21.4	25.9	30.4	34.9	40.6	45.1	49.6	54.1	57.5	60.8	64.2	66.5	67.6	68.7	67.6									
Rows	Drive Type 4										Seed Rate in Kilograms per Hectare										Based on 0.30 kg/Liter									
17.8 cm (7in)	0	9.0	12.4	18.0	24.8	31.6	40.6	48.5	56.3	66.5	75.5	84.5	92.4	100.0	108.2	113.8	119.4	123.9	126.2	127.3	126.2									
19.1 cm (7.5in)	0	7.9	12.4	16.9	22.5	29.3	37.2	45.1	53.0	62.0	69.9	78.9	86.8	93.5	101.4	107.0	111.6	114.9	117.2	118.3	117.2									
20.3 cm (8in)	0	7.9	11.3	15.8	21.4	27.0	34.9	41.7	49.6	57.5	65.4	73.2	81.1	87.9	94.7	100.3	104.8	108.2	110.4	111.6	110.4									

Metric Rate Charts, Main Seed Box, continued...

K-31 Fescue

Metric	Seed Rate Handle Setting Number																				
	0	5	10	15	20	25	30	35	40	45	50	55	60	65	70	75	80	85	90	95	100
Rows	Drive Type 1					Seed Rate in Kilograms per Hectare										Based on 0.27 kg/Liter					
17.8 cm (7in)	0	2.5	3.8	5.2	6.8	8.4	10.1	11.8	13.5	15.3	17.0	18.7	20.4	22.0	23.5	24.9	26.1	27.3	28.2	29.0	29.6
19.1 cm (7.5in)	0	2.3	3.5	4.9	6.3	7.8	9.4	11.0	12.6	14.3	15.9	17.5	19.0	20.5	21.9	23.2	24.4	25.4	26.3	27.1	27.6
20.3 cm (8in)	0	2.2	3.3	4.6	5.9	7.3	8.8	10.3	11.9	13.4	14.9	16.4	17.8	19.2	20.5	21.8	22.9	23.9	24.7	25.4	25.9
Rows	Drive Type 2					Seed Rate in Kilograms per Hectare										Based on 0.27 kg/Liter					
17.8 cm (7in)	0	5.1	7.8	10.8	13.9	17.3	20.7	24.2	27.8	31.4	35.0	38.5	41.9	45.2	48.3	51.1	53.7	56.0	58.0	59.6	60.8
19.1 cm (7.5in)	0	4.7	7.3	10.0	13.0	16.1	19.3	22.6	26.0	29.3	32.7	36.0	39.1	42.2	45.1	47.7	50.2	52.3	54.2	55.6	56.8
20.3 cm (8in)	0	4.4	6.8	9.4	12.2	15.1	18.1	21.2	24.4	27.5	30.6	33.7	36.7	39.5	42.2	44.7	47.0	49.0	50.8	52.2	53.2
Rows	Drive Type 3					Seed Rate in Kilograms per Hectare										Based on 0.27 kg/Liter					
17.8 cm (7in)	0	8.7	12.2	16.2	20.5	25.2	30.2	35.3	40.6	46.0	51.4	56.8	62.0	67.1	72.0	76.5	80.7	84.5	87.7	90.5	92.6
19.1 cm (7.5in)	0	8.1	11.4	15.1	19.1	23.5	28.1	33.0	37.9	42.9	48.0	53.0	57.9	62.6	67.2	71.4	75.3	78.8	81.9	84.4	86.4
20.3 cm (8in)	0	7.6	10.7	14.1	18.0	22.1	26.4	30.9	35.5	40.3	45.0	49.7	54.3	58.7	63.0	67.0	70.6	73.9	76.8	79.1	81.0
Rows	Drive Type 4					Seed Rate in Kilograms per Hectare										Based on 0.27 kg/Liter					
17.8 cm (7in)	0	14.2	19.9	26.4	33.5	41.1	49.2	57.6	66.2	75.0	83.8	92.6	101.2	109.4	117.3	124.8	131.6	137.7	143.0	147.5	150.9
19.1 cm (7.5in)	0	13.3	18.6	24.6	31.2	38.3	45.9	53.7	61.8	70.0	78.3	86.4	94.4	102.1	109.5	116.4	122.8	128.5	133.5	137.6	140.8
20.3 cm (8in)	0	12.5	17.4	23.1	29.3	36.0	43.0	50.4	58.0	65.7	73.4	81.0	88.5	95.8	102.7	109.2	115.1	120.5	125.2	129.0	132.0

Flax or Sudan

Metric	Seed Rate Handle Setting Number																				
	0	5	10	15	20	25	30	35	40	45	50	55	60	65	70	75	80	85	90	95	100
Rows	Drive Type 1					Seed Rate in Kilograms per Hectare										Based on 0.71 kg/Liter					
17.8 cm (7in)	0	6.0	8.9	12.3	16.0	20.0	24.3	28.8	33.6	38.4	43.4	48.4	53.4	58.4	63.3	68.1	72.7	77.1	81.3	85.1	88.6
19.1 cm (7.5in)	0	5.6	8.3	11.5	14.9	18.7	22.7	26.9	31.3	35.9	40.5	45.2	49.9	54.5	59.1	63.6	67.9	72.0	75.8	79.4	82.7
20.3 cm (8in)	0	5.2	7.8	10.7	14.0	17.5	21.3	25.2	29.4	33.6	38.0	42.3	46.7	51.1	55.4	59.6	63.6	67.5	71.1	74.5	77.5
Rows	Drive Type 2					Seed Rate in Kilograms per Hectare										Based on 0.71 kg/Liter					
17.8 cm (7in)	0	12.3	18.4	25.2	32.9	41.1	50.0	59.3	69.0	79.0	89.2	99.5	109.8	120.0	130.1	140.0	149.4	158.5	167.0	174.9	182.1
19.1 cm (7.5in)	0	11.5	17.1	23.6	30.7	38.4	46.7	55.3	64.4	73.7	83.2	92.8	102.5	112.0	121.5	130.6	139.5	148.2	155.9	163.3	170.0
20.3 cm (8in)	0	10.8	16.1	22.1	28.8	36.0	43.7	51.9	60.4	69.1	78.0	87.0	96.1	105.0	113.9	122.5	130.8	138.7	146.1	153.1	159.3
Rows	Drive Type 3					Seed Rate in Kilograms per Hectare										Based on 0.71 kg/Liter					
17.8 cm (7in)	0	18.8	27.9	38.0	49.0	60.7	73.1	86.1	99.5	113.2	127.2	141.3	155.4	169.5	183.3	196.8	209.9	222.5	234.4	245.7	256.0
19.1 cm (7.5in)	0	17.6	26.1	35.5	45.7	56.7	68.3	80.4	92.9	105.7	118.7	131.9	145.1	158.2	171.1	183.7	195.9	207.4	218.8	229.3	239.0
20.3 cm (8in)	0	16.5	24.4	33.3	42.9	53.1	64.0	75.3	87.1	99.1	111.3	123.7	136.0	148.3	160.4	172.2	183.7	194.7	205.1	214.9	224.0
Rows	Drive Type 4					Seed Rate in Kilograms per Hectare										Based on 0.71 kg/Liter					
17.8 cm (7in)	0	30.7	45.5	62.0	79.9	99.0	119.2	140.4	162.2	184.6	207.4	230.4	253.4	276.3	298.8	320.9	342.2	362.8	382.2	400.5	417.4
19.1 cm (7.5in)	0	28.6	42.5	57.9	74.5	92.4	111.3	131.0	151.4	172.3	193.6	215.0	236.5	257.9	278.9	299.5	319.4	338.6	356.8	373.8	389.6
20.3 cm (8in)	0	26.8	39.8	54.2	69.9	86.6	104.3	122.8	141.9	161.6	181.5	201.6	221.7	241.8	261.5	280.8	299.5	317.4	334.5	350.5	365.2

Metric Rate Charts, Main Seed Box, continued...

Eastern Gamma Grass-Pete

Note: Seed cup door should be set on the second notch

Metric	Seed Rate Handle Setting Number																				
	0	5	10	15	20	25	30	35	40	45	50	55	60	65	70	75	80	85	90	95	100
Rows	Drive Type 1										Seed Rate in Kilograms per Hectare										
17.8 cm (7in)	0	5.0	6.9	9.2	11.8	14.7	17.8	21.0	24.4	27.9	31.3	34.8	38.1	41.4	44.4	47.2	49.7	51.9	53.7	55.1	56.0
19.1 cm (7.5in)	0	4.7	6.5	8.6	11.0	13.7	16.6	19.6	22.8	26.0	29.3	32.5	35.6	38.6	41.4	44.1	46.4	48.5	50.2	51.5	52.3
20.3 cm (8in)	0	4.4	6.1	8.1	10.3	12.9	15.6	18.4	21.4	24.4	27.4	30.4	33.4	36.2	38.9	41.3	43.5	45.4	47.0	48.2	49.0
Rows	Drive Type 2										Seed Rate in Kilograms per Hectare										
17.8 cm (7in)	0	10.3	14.3	19.0	24.3	30.2	36.6	43.3	50.2	57.3	64.4	71.5	78.4	85.0	91.3	97.1	102.2	106.8	110.5	113.3	115.2
19.1 cm (7.5in)	0	9.6	13.3	17.7	22.7	28.2	34.1	40.4	46.9	53.5	60.1	66.7	73.2	79.4	85.2	90.6	95.4	99.6	103.1	105.8	107.5
20.3 cm (8in)	0	9.0	12.5	16.6	21.3	26.4	32.0	37.9	43.9	50.1	56.4	62.6	68.6	74.4	79.9	84.9	89.5	93.4	96.7	99.2	100.8
Rows	Drive Type 3										Seed Rate in Kilograms per Hectare										
17.8 cm (7in)	0	14.4	20.8	28.2	36.3	45.1	54.4	64.0	73.9	84.0	94.1	104.0	113.8	123.1	132.0	140.3	147.8	154.5	160.2	164.7	168.1
19.1 cm (7.5in)	0	13.4	19.5	26.3	33.9	42.1	50.7	59.7	69.0	78.4	87.8	97.1	106.2	114.9	123.2	130.9	138.0	144.2	149.5	153.8	156.9
20.3 cm (8in)	0	12.6	18.2	24.7	31.8	39.4	47.6	56.0	64.7	73.5	82.3	91.0	99.5	107.7	115.5	122.8	129.3	135.2	140.2	144.2	147.1
Rows	Drive Type 4										Seed Rate in Kilograms per Hectare										
17.8 cm (7in)	0	23.4	34.0	46.0	59.2	73.5	88.6	104.4	120.5	137.0	153.4	169.6	185.5	200.8	215.2	228.7	241.0	251.9	261.2	268.6	274.0
19.1 cm (7.5in)	0	21.9	31.7	42.9	55.3	68.6	82.7	97.4	112.5	127.8	143.2	158.3	173.1	187.4	200.9	213.5	224.9	235.1	243.7	250.7	255.8
20.3 cm (8in)	0	20.5	29.7	40.2	51.8	64.3	77.5	91.3	105.5	119.8	134.2	148.4	162.3	175.7	188.3	200.1	210.9	220.4	228.5	235.0	239.8

Kentucky Blue Grass

Metric	Seed Rate Handle Setting Number																					
	0	5	10	15	20	25	30	35	40	45	50	55	60	65	70	75	80	85	90	95	100	
Rows	Drive Type 1										Seed Rate in Kilograms per Hectare										Based on 0.30 kg/Liter	
17.8 cm (7in)	0	1.9	2.8	3.8	4.9	6.1	7.4	8.8	10.2	11.6	13.0	14.5	15.9	17.2	18.5	19.7	20.8	21.8	22.6	23.3	23.9	
19.1 cm (7.5in)	0	1.8	2.6	3.5	4.6	5.7	6.9	8.2	9.5	10.8	12.2	13.5	14.8	16.1	17.3	18.4	19.4	20.3	21.1	21.8	22.3	
20.3 cm (8in)	0	1.7	2.4	3.3	4.3	5.3	6.5	7.7	8.9	10.1	11.4	12.6	13.9	15.1	16.2	17.2	18.2	19.1	19.8	20.4	20.9	
Rows	Drive Type 2										Seed Rate in Kilograms per Hectare										Based on 0.30 kg/Liter	
17.8 cm (7in)	0	3.9	5.7	7.8	10.1	12.6	15.2	18.0	20.9	23.8	26.8	29.7	32.6	35.4	38.0	40.5	42.8	44.8	46.6	48.0	49.1	
19.1 cm (7.5in)	0	3.7	5.3	7.2	9.4	11.7	14.2	16.8	19.5	22.2	25.0	27.7	30.4	33.0	35.5	37.8	39.9	41.8	43.4	44.8	45.8	
20.3 cm (8in)	0	3.5	5.0	6.8	8.8	11.0	13.3	15.8	18.3	20.8	23.4	26.0	28.5	30.9	33.3	35.4	37.4	39.2	40.7	42.0	42.9	
Rows	Drive Type 3										Seed Rate in Kilograms per Hectare										Based on 0.30 kg/Liter	
17.8 cm (7in)	0	6.4	9.4	12.7	16.2	19.9	23.7	27.6	31.5	35.5	39.5	43.5	47.3	51.1	54.8	58.2	61.5	64.5	67.3	69.7	71.8	
19.1 cm (7.5in)	0	5.9	8.8	11.9	15.1	18.6	22.1	25.7	29.4	33.2	36.9	40.6	44.2	47.7	51.1	54.3	57.4	60.2	62.8	65.0	67.0	
20.3 cm (8in)	0	5.6	8.2	11.1	14.2	17.4	20.7	24.1	27.6	31.1	34.6	38.0	41.4	44.7	47.9	50.9	53.8	56.4	58.8	61.0	62.8	
Rows	Drive Type 4										Seed Rate in Kilograms per Hectare										Based on 0.30 kg/Liter	
17.8 cm (7in)	0	10.4	15.4	20.7	26.4	32.4	38.6	45.0	51.4	57.9	64.4	70.9	77.2	83.3	89.3	94.9	100.3	105.2	109.7	113.6	117.1	
19.1 cm (7.5in)	0	9.7	14.3	19.4	24.7	30.3	36.0	42.0	48.0	54.1	60.1	66.1	72.0	77.8	83.3	88.6	93.6	98.2	102.3	106.1	109.3	
20.3 cm (8in)	0	9.1	13.4	18.1	23.1	28.4	33.8	39.3	45.0	50.7	56.4	62.0	67.5	72.9	78.1	83.1	87.7	92.0	95.9	99.4	102.4	

Metric Rate Charts, Main Seed Box, continued...

Millet

Metric	Seed Rate Handle Setting Number																				
	0	5	10	15	20	25	30	35	40	45	50	55	60	65	70	75	80	85	90	95	100
Rows	Drive Type 1					Seed Rate in Kilograms per Hectare										Based on 0.77 kg/Liter					
17.8 cm (7in)	0	6.3	8.9	12.0	15.5	19.4	23.5	27.8	32.3	36.9	41.6	46.3	51.0	55.6	60.1	64.4	68.5	72.3	75.7	78.8	81.4
19.1 cm (7.5in)	0	5.9	8.3	11.2	14.5	18.1	21.9	25.9	30.1	34.4	38.8	43.2	47.6	51.9	56.1	60.1	63.9	67.4	70.7	73.5	75.9
20.3 cm (8in)	0	5.5	7.8	10.5	13.6	16.9	20.5	24.3	28.2	32.3	36.4	40.5	44.6	48.7	52.6	56.4	59.9	63.2	66.2	68.9	71.2
Rows	Drive Type 2					Seed Rate in Kilograms per Hectare										Based on 0.77 kg/Liter					
17.8 cm (7in)	0	12.9	18.4	24.8	31.9	39.8	48.2	57.1	66.3	75.9	85.5	95.2	104.9	114.3	123.6	132.4	140.8	148.5	155.6	161.9	167.3
19.1 cm (7.5in)	0	12.0	17.2	23.1	29.8	37.1	45.0	53.3	61.9	70.8	79.8	88.9	97.9	106.7	115.3	123.6	131.4	138.6	145.2	151.1	156.1
20.3 cm (8in)	0	11.3	16.1	21.7	27.9	34.8	42.2	50.0	58.1	66.4	74.8	83.3	91.8	100.1	108.1	115.8	123.2	130.0	136.2	141.6	146.4
Rows	Drive Type 3					Seed Rate in Kilograms per Hectare										Based on 0.77 kg/Liter					
17.8 cm (7in)	0	17.8	26.6	36.6	47.6	59.7	72.5	86.0	100.0	114.3	128.8	143.3	157.7	171.9	185.6	198.8	211.2	222.8	233.4	242.8	250.9
19.1 cm (7.5in)	0	16.6	24.8	34.1	44.5	55.7	67.7	80.3	93.3	106.6	120.2	133.7	147.2	160.4	173.2	185.5	197.2	208.0	217.8	226.6	234.1
20.3 cm (8in)	0	15.6	23.2	32.0	41.7	52.2	63.4	75.2	87.5	100.0	112.7	125.4	138.0	150.4	162.4	173.9	184.8	195.0	204.2	212.4	219.5
Rows	Drive Type 4					Seed Rate in Kilograms per Hectare										Based on 0.77 kg/Liter					
17.8 cm (7in)	0	29.1	43.3	59.6	77.7	97.3	118.2	140.2	163.0	186.3	209.9	233.6	257.1	280.2	302.6	324.1	344.4	363.3	380.5	395.8	409.0
19.1 cm (7.5in)	0	27.1	40.4	55.6	72.5	90.8	110.3	130.8	152.1	173.9	195.9	218.0	240.0	261.5	282.4	302.5	321.4	339.1	355.2	369.5	381.7
20.3 cm (8in)	0	25.4	37.9	52.2	68.0	85.1	103.4	122.7	142.6	163.0	183.7	204.4	225.0	245.2	264.8	283.6	301.4	317.9	333.0	346.4	357.9

Milo

Metric	Seed Rate Handle Setting Number																				
	0	5	10	15	20	25	30	35	40	45	50	55	60	65	70	75	80	85	90	95	100
Rows	Drive Type 1					Seed Rate in Kilograms per Hectare										Based on 0.77 kg/Liter					
17.8 cm (7in)	0	6.0	9.3	13.3	17.8	22.9	28.4	34.2	40.3	46.6	53.0	59.5	65.9	72.1	78.2	83.9	89.3	94.3	98.7	102.5	105.6
19.1 cm (7.5in)	0	5.6	8.7	12.4	16.6	21.4	26.5	31.9	37.7	43.5	49.5	55.5	61.5	67.3	73.0	78.3	83.4	88.0	92.1	95.7	98.6
20.3 cm (8in)	0	5.3	8.1	11.6	15.6	20.0	24.8	30.0	35.3	40.8	46.4	52.0	57.6	63.1	68.4	73.5	78.2	82.5	86.4	89.7	92.4
Rows	Drive Type 2					Seed Rate in Kilograms per Hectare										Based on 0.77 kg/Liter					
17.8 cm (7in)	0	12.3	19.1	27.3	36.7	47.1	58.4	70.4	82.9	95.9	109.0	122.3	135.4	148.3	160.7	172.5	183.6	193.8	202.9	210.7	217.1
19.1 cm (7.5in)	0	11.5	17.9	25.5	34.2	43.9	54.5	65.7	77.4	89.5	101.8	114.1	126.4	138.4	150.0	161.0	171.4	180.9	189.4	196.7	202.7
20.3 cm (8in)	0	10.8	16.7	23.9	32.1	41.2	51.1	61.6	72.6	83.9	95.4	107.0	118.5	129.7	140.6	151.0	160.7	169.6	177.5	184.4	190.0

Metric Rate Charts, Main Seed Box, continued...

Oats

Metric	Seed Rate Handle Setting Number																													
	0	5	10	15	20	25	30	35	40	45	50	55	60	65	70	75	80	85	90	95	100									
Rows	Drive Type 1										Seed Rate in Kilograms per Hectare										Based on 0.48 kg/Liter									
17.8 cm (7in)	0	2.4	4.0	5.9	8.0	10.3	12.7	15.3	18.0	20.7	23.5	26.3	29.1	31.9	34.5	37.1	39.5	41.8	43.8	45.7	47.3									
19.1 cm (7.5in)	0	2.2	3.7	5.5	7.5	9.6	11.9	14.3	16.8	19.4	22.0	24.6	27.2	29.7	32.2	34.6	36.9	39.0	40.9	42.6	44.1									
20.3 cm (8in)	0	2.1	3.5	5.2	7.0	9.0	11.1	13.4	15.7	18.2	20.6	23.0	25.5	27.9	30.2	32.4	34.6	36.5	38.4	40.0	41.4									
Rows	Drive Type 2										Seed Rate in Kilograms per Hectare										Based on 0.48 kg/Liter									
17.8 cm (7in)	0	4.9	8.2	12.1	16.4	21.1	26.2	31.5	37.0	42.6	48.4	54.1	59.9	65.5	71.0	76.2	81.2	85.9	90.1	93.9	97.2									
19.1 cm (7.5in)	0	4.5	7.7	11.3	15.3	19.7	24.4	29.4	34.5	39.8	45.2	50.5	55.9	61.1	66.2	71.1	75.8	80.1	84.1	87.6	90.7									
20.3 cm (8in)	0	4.3	7.2	10.6	14.4	18.5	22.9	27.5	32.4	37.3	42.3	47.4	52.4	57.3	62.1	66.7	71.1	75.1	78.8	82.2	85.0									
Rows	Drive Type 3										Seed Rate in Kilograms per Hectare										Based on 0.48 kg/Liter									
17.8 cm (7in)	0	9.0	12.9	18.1	24.2	31.2	39.0	47.3	56.1	65.2	74.5	83.8	93.0	102.0	110.5	118.6	125.9	132.5	138.1	142.5	145.8									
19.1 cm (7.5in)	0	8.4	12.1	16.9	22.6	29.1	36.4	44.2	52.4	60.9	69.5	78.2	86.8	95.2	103.2	110.7	117.5	123.6	128.8	133.0	136.1									
20.3 cm (8in)	0	7.9	11.3	15.8	21.2	27.3	34.1	41.4	49.1	57.1	65.2	73.4	81.4	89.2	96.7	103.8	110.2	115.9	120.8	124.7	127.6									
Rows	Drive Type 4										Seed Rate in Kilograms per Hectare										Based on 0.48 kg/Liter									
17.8 cm (7in)	0	14.6	21.1	29.5	39.5	50.9	63.5	77.2	91.5	106.4	121.5	136.7	151.7	166.3	180.2	193.3	205.3	216.0	225.1	232.4	237.7									
19.1 cm (7.5in)	0	13.7	19.7	27.5	36.8	47.5	59.3	72.0	85.4	99.3	113.4	127.6	141.6	155.2	168.2	180.4	191.6	201.6	210.1	216.9	221.8									
20.3 cm (8in)	0	12.8	18.5	25.8	34.5	44.5	55.6	67.5	80.1	93.1	106.3	119.6	132.7	145.5	157.7	169.2	179.7	189.0	196.9	203.3	208.0									

Orchard Grass-Potomac

Metric	Seed Rate Handle Setting Number																													
	0	5	10	15	20	25	30	35	40	45	50	55	60	65	70	75	80	85	90	95	100									
Rows	Drive Type 1										Seed Rate in Kilograms per Hectare										Based on 0.23 kg/Liter									
17.8 cm (7in)	0	1.5	2.0	2.7	3.5	4.4	5.4	6.5	7.6	8.8	10.0	11.2	12.4	13.5	14.6	15.7	16.6	17.4	18.2	18.8	19.2									
19.1 cm (7.5in)	0	1.4	1.9	2.5	3.3	4.1	5.0	6.1	7.1	8.2	9.3	10.4	11.5	12.6	13.6	14.6	15.5	16.3	17.0	17.5	17.9									
20.3 cm (8in)	0	1.3	1.8	2.3	3.0	3.8	4.7	5.7	6.7	7.7	8.7	9.8	10.8	11.8	12.8	13.7	14.5	15.3	15.9	16.4	16.8									
Rows	Drive Type 2										Seed Rate in Kilograms per Hectare										Based on 0.23 kg/Liter									
17.8 cm (7in)	0	3.0	4.1	5.5	7.2	9.0	11.1	13.3	15.7	18.1	20.5	23.0	25.4	27.8	30.1	32.2	34.1	35.9	37.3	38.5	39.4									
19.1 cm (7.5in)	0	2.8	3.8	5.1	6.7	8.4	10.4	12.4	14.6	16.9	19.2	21.5	23.7	25.9	28.1	30.0	31.8	33.5	34.9	36.0	36.8									
20.3 cm (8in)	0	2.6	3.6	4.8	6.3	7.9	9.7	11.7	13.7	15.8	18.0	20.1	22.2	24.3	26.3	28.2	29.9	31.4	32.7	33.7	34.5									
Rows	Drive Type 3										Seed Rate in Kilograms per Hectare										Based on 0.23 kg/Liter									
17.8 cm (7in)	0	4.4	6.0	8.0	10.4	13.0	15.9	19.0	22.3	25.6	29.1	32.6	36.0	39.4	42.7	45.8	48.8	51.5	53.9	56.0	57.7									
19.1 cm (7.5in)	0	4.1	5.6	7.5	9.7	12.2	14.9	17.8	20.8	23.9	27.1	30.4	33.6	36.8	39.8	42.8	45.5	48.0	50.3	52.3	53.9									
20.3 cm (8in)	0	3.8	5.3	7.0	9.1	11.4	13.9	16.6	19.5	22.4	25.5	28.5	31.5	34.5	37.3	40.1	42.7	45.0	47.2	49.0	50.5									
Rows	Drive Type 4										Seed Rate in Kilograms per Hectare										Based on 0.23 kg/Liter									
17.8 cm (7in)	0	7.1	9.8	13.1	16.9	21.2	26.0	31.0	36.3	41.8	47.4	53.1	58.7	64.2	69.6	74.7	79.5	83.9	87.9	91.3	94.1									
19.1 cm (7.5in)	0	6.6	9.1	12.2	15.8	19.8	24.2	28.9	33.9	39.0	44.3	49.5	54.8	60.0	65.0	69.7	74.2	78.3	82.0	85.2	87.9									
20.3 cm (8in)	0	6.2	8.6	11.4	14.8	18.6	22.7	27.1	31.8	36.6	41.5	46.4	51.4	56.2	60.9	65.4	69.6	73.4	76.9	79.9	82.4									

Metric Rate Charts, Main Seed Box, continued...

Peas

Metric	Seed Rate Handle Setting Number																				
	0	5	10	15	20	25	30	35	40	45	50	55	60	65	70	75	80	85	90	95	100
Rows	Drive Type 1 Seed Rate in Kilograms per Hectare Based on 0.79 kg/Liter																				
17.8 cm (7in)	0	2.8	6.9	11.5	16.5	21.9	27.7	33.6	39.6	45.8	51.9	57.9	63.8	69.4	74.8	79.7	84.2	88.1	91.4	94.0	95.9
19.1 cm (7.5in)	0	2.6	6.4	10.7	15.4	20.5	25.8	31.3	37.0	42.7	48.4	54.1	59.5	64.8	69.8	74.4	78.6	82.2	85.3	87.8	89.5
20.3 cm (8in)	0	2.5	6.0	10.0	14.5	19.2	24.2	29.4	34.7	40.0	45.4	50.7	55.8	60.8	65.4	69.7	73.6	77.1	80.0	82.3	83.9
Rows	Drive Type 2 Seed Rate in Kilograms per Hectare Based on 0.79 kg/Liter																				
17.8 cm (7in)	0	5.8	14.2	23.6	34.0	45.1	56.8	69.0	81.5	94.1	106.7	119.1	131.1	142.7	153.7	163.8	173.0	181.1	187.9	193.3	197.1
19.1 cm (7.5in)	0	5.4	13.2	22.0	31.7	42.1	53.0	64.4	76.0	87.8	99.6	111.1	122.4	133.2	143.4	152.9	161.5	169.0	175.4	180.4	184.0
20.3 cm (8in)	0	5.0	12.4	20.7	29.7	39.5	49.7	60.4	71.3	82.3	93.3	104.2	114.7	124.9	134.5	143.3	151.4	158.4	164.4	169.1	172.5
Rows	Drive Type 3 Seed Rate in Kilograms per Hectare Based on 0.79 kg/Liter																				
17.8 cm (7in)	0	4.2	15.8	29.0	43.6	59.3	75.9	93.1	110.9	128.8	146.7	164.4	181.6	198.1	213.6	228.0	241.0	252.4	262.0	269.4	274.6
19.1 cm (7.5in)	0	3.9	14.8	27.1	40.7	55.3	70.8	86.9	103.5	120.2	136.9	153.4	169.5	184.9	199.4	212.8	225.0	235.6	244.5	251.5	256.3
20.3 cm (8in)	0	3.7	13.8	25.4	38.1	51.9	66.4	81.5	97.0	112.7	128.4	143.8	158.9	173.3	186.9	199.5	210.9	220.9	229.2	235.8	240.3
Rows	Drive Type 4 Seed Rate in Kilograms per Hectare Based on 0.79 kg/Liter																				
17.8 cm (7in)	0	6.9	25.8	47.3	71.1	96.6	123.7	151.9	180.7	210.0	239.2	268.0	296.0	322.9	348.3	371.8	393.0	411.6	427.1	439.3	447.7
19.1 cm (7.5in)	0	6.4	24.1	44.2	66.3	90.2	115.5	141.7	168.7	196.0	223.2	250.1	276.3	301.4	325.1	347.0	366.8	384.1	398.7	410.0	417.8
20.3 cm (8in)	0	6.0	22.6	41.4	62.2	84.6	108.2	132.9	158.2	183.7	209.3	234.5	259.0	282.6	304.8	325.3	343.9	360.1	373.7	384.4	391.7

Pinto Beans

Metric	Seed Rate Handle Setting Number																				
	0	5	10	15	20	25	30	35	40	45	50	55	60	65	70	75	80	85	90	95	100
Rows	Drive Type 1 Seed Rate in Kilograms per Hectare Based on 0.79 kg/Liter																				
17.8 cm (7in)	0	5.4	9.0	13.2	18.1	23.5	29.3	35.5	41.8	48.4	54.9	61.4	67.7	73.7	79.4	84.6	89.2	93.2	96.4	98.8	100.2
19.1 cm (7.5in)	0	5.1	8.4	12.3	16.9	21.9	27.4	33.1	39.1	45.1	51.2	57.3	63.1	68.8	74.1	78.9	83.3	87.0	90.0	92.2	93.6
20.3 cm (8in)	0	4.7	7.8	11.6	15.8	20.6	25.7	31.0	36.6	42.3	48.0	53.7	59.2	64.5	69.4	74.0	78.1	81.6	84.4	86.5	87.7
Rows	Drive Type 2 Seed Rate in Kilograms per Hectare Based on 0.79 kg/Liter																				
17.8 cm (7in)	0	11.1	18.4	27.2	37.2	48.3	60.3	72.9	86.0	99.4	112.8	126.1	139.1	151.5	163.1	173.8	183.4	191.6	198.2	203.1	206.0
19.1 cm (7.5in)	0	10.4	17.2	25.4	34.7	45.1	56.3	68.0	80.3	92.8	105.3	117.7	129.8	141.4	152.2	162.2	171.2	178.8	185.0	189.6	192.3
20.3 cm (8in)	0	9.7	16.1	23.8	32.5	42.3	52.7	63.8	75.3	87.0	98.7	110.3	121.7	132.5	142.7	152.1	160.5	167.6	173.4	177.7	180.3
Rows	Drive Type 3 Seed Rate in Kilograms per Hectare Based on 0.79 kg/Liter																				
17.8 cm (7in)	0	18.5	28.5	40.8	54.9	70.6	87.7	105.7	124.5	143.8	163.1	182.4	201.3	219.4	236.6	252.5	266.8	279.3	289.6	297.5	302.7
19.1 cm (7.5in)	0	17.2	26.6	38.1	51.3	65.9	81.8	98.7	116.2	134.2	152.3	170.3	187.9	204.8	220.8	235.6	249.0	260.7	270.3	277.7	282.6
20.3 cm (8in)	0	16.2	25.0	35.7	48.1	61.8	76.7	92.5	109.0	125.8	142.8	159.6	176.1	192.0	207.0	220.9	233.5	244.4	253.4	260.3	264.9
Rows	Drive Type 4 Seed Rate in Kilograms per Hectare Based on 0.79 kg/Liter																				
17.8 cm (7in)	0	30.1	46.5	66.5	89.5	115.2	143.0	172.0	203.0	234.4	266.0	297.4	328.2	357.8	385.7	411.6	435.0	455.3	472.2	485.1	493.6
19.1 cm (7.5in)	0	28.1	43.4	62.1	83.6	107.5	133.4	160.9	189.5	218.8	248.3	277.6	306.3	333.9	360.0	384.2	406.0	425.0	440.7	452.8	460.7
20.3 cm (8in)	0	26.3	40.7	58.2	78.3	100.8	125.1	150.8	177.6	205.1	232.8	260.2	287.1	313.0	337.5	360.2	380.6	398.4	413.2	424.5	431.9

Metric Rate Charts, Main Seed Box, continued...

Rape

Metric	Seed Rate Handle Setting Number																													
	0	5	10	15	20	25	30	35	40	45	50	55	60	65	70	75	80	85	90	95	100									
Rows	Drive Type 1										Seed Rate in Kilograms per Hectare										Based on 0.66 kg/Liter									
17.8 cm (7in)	0	5.5	8.2	11.2	14.4	17.8	21.4	25.2	29.0	33.0	37.0	41.0	45.0	49.0	53.0	56.9	60.6	64.2	67.7	71.0	74.0									
19.1 cm (7.5in)	0	5.1	7.7	10.4	13.5	16.6	20.0	23.5	27.1	30.8	34.5	38.3	42.0	45.8	49.5	53.1	56.6	60.0	63.2	66.2	69.1									
20.3 cm (8in)	0	4.8	7.2	9.8	12.6	15.6	18.7	22.0	25.4	28.8	32.3	35.9	39.4	42.9	46.4	49.8	53.0	56.2	59.2	62.1	64.7									
Rows	Drive Type 2										Seed Rate in Kilograms per Hectare										Based on 0.66 kg/Liter									
17.8 cm (7in)	0	11.3	16.9	23.0	29.6	36.7	44.0	51.7	59.6	67.7	76.0	84.3	92.6	100.8	108.9	116.9	124.6	132.1	139.2	145.8	152.1									
19.1 cm (7.5in)	0	10.5	15.7	21.5	27.7	34.2	41.1	48.3	55.7	63.2	70.9	78.6	86.4	94.1	101.7	109.1	116.3	123.2	129.9	136.1	141.9									
20.3 cm (8in)	0	9.8	14.8	20.1	25.9	32.1	38.5	45.3	52.2	59.3	66.5	73.7	81.0	88.2	95.3	102.3	109.0	115.5	121.8	127.6	133.1									
Rows	Drive Type 3										Seed Rate in Kilograms per Hectare										Based on 0.66 kg/Liter									
17.8 cm (7in)	0	17.4	24.2	32.2	41.3	51.3	62.2	73.7	85.7	98.0	110.6	123.3	135.9	148.4	160.5	172.1	183.1	193.3	202.6	210.9	218.0									
19.1 cm (7.5in)	0	16.3	22.6	30.1	38.6	47.9	58.0	68.8	79.9	91.5	103.3	115.1	126.9	138.5	149.8	160.6	170.9	180.4	189.1	196.9	203.5									
20.3 cm (8in)	0	15.2	21.2	28.2	36.2	44.9	54.4	64.5	75.0	85.8	96.8	107.9	119.0	129.8	140.4	150.6	160.2	169.2	177.3	184.6	190.8									
Rows	Drive Type 4										Seed Rate in Kilograms per Hectare										Based on 0.66 kg/Liter									
17.8 cm (7in)	0	28.4	39.5	52.5	67.4	83.7	101.4	120.1	139.7	159.8	180.4	201.1	221.6	241.9	261.6	280.6	298.5	315.2	330.4	343.9	355.4									
19.1 cm (7.5in)	0	26.5	36.8	49.0	62.9	78.1	94.6	112.1	130.4	149.2	168.3	187.7	206.9	225.8	244.2	261.9	278.6	294.2	308.4	321.0	331.7									
20.3 cm (8in)	0	24.9	34.5	46.0	58.9	73.3	88.7	105.1	122.2	139.9	157.8	175.9	193.9	211.7	228.9	245.5	261.2	275.8	289.1	300.9	311.0									

Rice-Short Grain

Metric	Seed Rate Handle Setting Number																													
	0	5	10	15	20	25	30	35	40	45	50	55	60	65	70	75	80	85	90	95	100									
Rows	Drive Type 1										Seed Rate in Kilograms per Hectare										Based on 0.55 kg/Liter									
17.8 cm (7in)	0	3.3	6.0	9.0	12.2	15.6	19.0	22.6	26.2	29.8	33.5	37.1	40.6	44.0	47.2	50.3	53.2	55.8	58.1	60.1	61.8									
19.1 cm (7.5in)	0	3.1	5.6	8.4	11.4	14.5	17.7	21.1	24.4	27.8	31.2	34.6	37.9	41.0	44.1	46.9	49.6	52.1	54.2	56.1	57.7									
20.3 cm (8in)	0	2.9	5.3	7.9	10.7	13.6	16.6	19.8	22.9	26.1	29.3	32.4	35.5	38.5	41.3	44.0	46.5	48.8	50.9	52.6	54.1									
Rows	Drive Type 2										Seed Rate in Kilograms per Hectare										Based on 0.55 kg/Liter									
17.8 cm (7in)	0	6.8	12.4	18.6	25.1	32.0	39.1	46.4	53.8	61.3	68.8	76.2	83.4	90.4	97.1	103.4	109.3	114.7	119.5	123.6	127.0									
19.1 cm (7.5in)	0	6.3	11.6	17.3	23.4	29.8	36.5	43.3	50.3	57.2	64.2	71.1	77.8	84.4	90.6	96.5	102.0	107.0	111.5	115.4	118.6									
20.3 cm (8in)	0	5.9	10.9	16.2	22.0	28.0	34.2	40.6	47.1	53.7	60.2	66.7	73.0	79.1	84.9	90.5	95.6	100.3	104.5	108.2	111.2									
Rows	Drive Type 3										Seed Rate in Kilograms per Hectare										Based on 0.55 kg/Liter									
17.8 cm (7in)	0	14.4	20.5	28.0	36.5	45.9	56.1	66.9	78.0	89.4	100.9	112.3	123.4	134.0	144.0	153.2	161.5	168.6	174.4	178.7	181.4									
19.1 cm (7.5in)	0	13.4	19.2	26.1	34.0	42.8	52.4	62.4	72.8	83.5	94.2	104.8	115.1	125.1	134.4	143.0	150.7	157.4	162.8	166.8	169.3									
20.3 cm (8in)	0	12.6	18.0	24.5	31.9	40.2	49.1	58.5	68.3	78.3	88.3	98.2	107.9	117.2	126.0	134.1	141.3	147.5	152.6	156.4	158.7									
Rows	Drive Type 4										Seed Rate in Kilograms per Hectare										Based on 0.55 kg/Liter									
17.8 cm (7in)	0	23.5	33.5	45.6	59.5	74.9	91.5	109.0	127.2	145.8	164.5	183.0	201.1	218.5	234.8	249.8	263.3	274.9	284.3	291.4	295.8									
19.1 cm (7.5in)	0	21.9	31.3	42.6	55.5	69.9	85.4	101.7	118.7	136.1	153.5	170.8	187.7	203.9	219.1	233.2	245.7	256.6	265.4	272.0	276.1									
20.3 cm (8in)	0	20.5	29.3	39.9	52.0	65.5	80.0	95.4	111.3	127.6	144.0	160.2	176.0	191.1	205.4	218.6	230.4	240.5	248.8	255.0	258.8									

Metric Rate Charts, Main Seed Box, continued...

Rice-Long Grain-Lamont

Metric	Seed Rate Handle Setting Number																				
	0	5	10	15	20	25	30	35	40	45	50	55	60	65	70	75	80	85	90	95	100
Rows	Drive Type 1					Seed Rate in Kilograms per Hectare										Based on 0.60 kg/Liter					
17.8 cm (7in)	0	1.1	4.3	7.6	10.9	14.4	17.8	21.3	24.7	28.2	31.5	34.7	37.9	40.9	43.7	46.3	48.7	50.8	52.6	54.2	55.4
19.1 cm (7.5in)	0	1.1	4.0	7.1	10.2	13.4	16.6	19.9	23.1	26.3	29.4	32.4	35.4	38.1	40.8	43.2	45.4	47.7	49.1	50.6	51.7
20.3 cm (8in)	0	1.0	3.8	6.6	9.6	12.6	15.6	18.6	21.6	24.6	27.6	30.4	33.1	35.8	38.2	40.5	42.6	44.4	46.1	47.4	48.5
Rows	Drive Type 2					Seed Rate in Kilograms per Hectare										Based on 0.60 kg/Liter					
17.8 cm (7in)	0	2.3	8.8	15.5	22.5	29.5	36.6	43.8	50.9	57.9	64.8	71.4	77.9	84.0	89.8	95.1	100.0	104.4	108.2	111.4	113.9
19.1 cm (7.5in)	0	2.2	8.2	14.5	21.0	27.5	34.2	40.8	47.5	54.0	60.4	66.7	72.7	78.4	83.8	88.8	93.3	97.4	101.0	103.9	106.3
20.3 cm (8in)	0	2.0	7.7	13.6	19.7	25.8	32.0	38.3	44.5	50.6	56.7	62.5	68.1	73.5	78.5	83.2	87.5	91.3	94.7	97.4	99.6
Rows	Drive Type 3					Seed Rate in Kilograms per Hectare										Based on 0.60 kg/Liter					
17.8 cm (7in)	0	3.9	13.5	23.3	33.1	43.1	53.0	63.0	73.0	82.9	92.7	102.4	111.9	121.3	130.4	139.2	147.8	156.0	163.9	171.4	178.4
19.1 cm (7.5in)	0	3.7	12.6	21.7	30.9	40.2	49.5	58.8	68.1	77.4	86.5	95.6	104.5	113.2	121.7	130.0	138.0	145.6	153.0	159.9	166.5
20.3 cm (8in)	0	3.4	11.8	20.4	29.0	37.7	46.4	55.1	63.9	72.5	81.1	89.6	97.6	106.1	114.1	121.8	129.3	136.5	143.4	149.9	156.1
Rows	Drive Type 4					Seed Rate in Kilograms per Hectare										Based on 0.60 kg/Liter					
17.8 cm (7in)	0	6.4	22.0	37.9	54.0	70.2	86.5	102.7	119.0	135.2	151.2	167.0	182.5	197.7	212.6	227.0	241.0	254.4	267.2	279.4	290.9
19.1 cm (7.5in)	0	6.0	20.6	35.4	50.4	65.5	80.7	95.9	111.1	126.1	141.1	155.8	170.3	184.6	198.4	211.9	224.9	237.4	249.4	260.8	271.5
20.3 cm (8in)	0	5.6	19.3	33.2	47.2	61.4	75.7	89.9	104.1	118.3	132.3	146.1	159.7	173.0	186.0	198.7	210.9	222.6	233.8	244.5	254.5

Rye

Metric	Seed Rate Handle Setting Number																				
	0	5	10	15	20	25	30	35	40	45	50	55	60	65	70	75	80	85	90	95	100
Rows	Drive Type 1					Seed Rate in Kilograms per Hectare										Based on 0.73 kg/Liter					
17.8 cm (7in)	0	5.0	8.7	13.0	17.9	23.2	29.0	35.0	41.3	47.7	54.2	60.7	67.2	73.4	79.5	85.2	90.6	95.5	99.9	103.6	106.7
19.1 cm (7.5in)	0	4.7	8.1	12.2	16.7	21.7	27.0	32.7	38.5	44.5	50.6	56.7	62.7	68.5	74.2	79.6	84.6	89.1	93.2	96.7	99.6
20.3 cm (8in)	0	4.4	7.6	11.4	15.7	20.3	25.3	30.6	36.1	41.7	47.4	53.1	58.8	64.3	69.6	74.6	79.3	83.6	87.4	90.7	93.3
Rows	Drive Type 2					Seed Rate in Kilograms per Hectare										Based on 0.73 kg/Liter					
17.8 cm (7in)	0	10.3	17.9	26.8	36.8	47.8	59.5	71.9	84.8	98.0	111.4	124.8	138.0	151.0	163.4	175.2	186.2	196.3	205.3	213.0	219.3
19.1 cm (7.5in)	0	9.6	16.7	25.0	34.4	44.6	55.6	67.1	79.2	91.5	104.0	116.5	128.8	140.9	152.5	163.5	173.8	183.2	191.6	198.8	204.7
20.3 cm (8in)	0	9.0	15.7	23.4	32.2	41.8	52.1	62.9	74.2	85.8	97.5	109.2	120.8	132.1	143.0	153.3	163.0	171.8	179.6	186.4	191.9
Rows	Drive Type 3					Seed Rate in Kilograms per Hectare										Based on 0.73 kg/Liter					
17.8 cm (7in)	0	17.7	28.1	40.6	54.9	70.8	88.1	106.4	125.7	145.6	165.9	186.4	206.8	227.0	246.6	265.4	283.2	299.8	314.9	328.2	339.6
19.1 cm (7.5in)	0	16.5	26.3	37.9	51.3	66.1	82.2	99.4	117.3	135.9	154.9	174.0	193.1	211.8	230.1	247.7	264.3	279.8	293.9	306.3	317.0
20.3 cm (8in)	0	15.5	24.6	35.5	48.1	62.0	77.1	93.1	110.0	127.4	145.2	163.1	181.0	198.6	215.7	232.2	247.8	262.3	275.5	287.2	297.2
Rows	Drive Type 4					Seed Rate in Kilograms per Hectare										Based on 0.73 kg/Liter					
17.8 cm (7in)	0	28.9	45.9	66.2	89.5	115.5	143.6	173.6	205.0	237.4	270.5	303.9	337.2	370.1	402.0	432.7	461.7	488.8	513.4	535.2	553.8
19.1 cm (7.5in)	0	27.0	42.8	61.8	83.6	107.8	134.0	162.0	191.3	221.6	252.5	283.7	314.8	345.4	375.2	403.9	431.0	456.2	479.1	499.5	516.9
20.3 cm (8in)	0	25.3	40.1	57.9	78.3	101.0	125.6	151.9	179.3	207.7	236.7	265.9	295.1	323.8	351.8	378.6	404.0	427.7	449.2	468.3	484.6

Metric Rate Charts, Main Seed Box, continued...

Perennial Rye Grass-Palmer

Metric	Seed Rate Handle Setting Number																													
	0	5	10	15	20	25	30	35	40	45	50	55	60	65	70	75	80	85	90	95	100									
Rows	Drive Type 1										Seed Rate in Kilograms per Hectare										Based on 0.46 kg/Liter									
17.8 cm (7in)	0	3.2	4.7	6.4	8.3	10.4	12.6	15.0	17.4	19.8	22.3	24.7	27.1	29.4	31.7	33.8	35.7	37.4	39.0	40.3	41.3									
19.1 cm (7.5in)	0	2.9	4.4	6.0	7.8	9.7	11.8	14.0	16.2	18.5	20.8	23.1	25.3	27.5	29.5	31.5	33.3	34.9	36.4	37.6	38.5									
20.3 cm (8in)	0	2.8	4.1	5.6	7.3	9.1	11.1	13.1	15.2	17.3	19.5	21.6	23.7	25.7	27.7	29.5	31.2	32.8	34.1	35.2	36.1									
Rows	Drive Type 2										Seed Rate in Kilograms per Hectare										Based on 0.46 kg/Liter									
17.8 cm (7in)	0	6.5	9.6	13.2	17.1	21.4	26.0	30.7	35.7	40.7	45.7	50.8	55.7	60.5	65.1	69.4	73.4	77.0	80.1	82.7	84.8									
19.1 cm (7.5in)	0	6.1	9.0	12.3	16.0	20.0	24.2	28.7	33.3	38.0	42.7	47.4	52.0	56.5	60.7	64.8	68.5	71.8	74.8	77.2	79.2									
20.3 cm (8in)	0	5.7	8.4	11.5	15.0	18.7	22.7	26.9	31.2	35.6	40.0	44.4	48.7	52.9	56.9	60.7	64.2	67.3	70.1	72.4	74.2									
Rows	Drive Type 3										Seed Rate in Kilograms per Hectare										Based on 0.46 kg/Liter									
17.8 cm (7in)	0	13.0	15.7	19.7	24.9	31.0	38.0	45.6	53.8	62.2	70.9	79.6	88.2	96.4	104.2	111.4	117.8	123.2	127.6	130.7	132.3									
19.1 cm (7.5in)	0	12.1	14.6	18.4	23.2	28.9	35.4	42.6	50.2	58.1	66.2	74.3	82.3	90.0	97.3	104.0	109.9	115.0	119.1	122.0	123.5									
20.3 cm (8in)	0	11.4	13.7	17.2	21.8	27.1	33.2	39.9	47.0	54.5	62.0	69.7	77.1	84.4	91.2	97.5	103.1	107.8	111.6	114.3	115.8									
Rows	Drive Type 4										Seed Rate in Kilograms per Hectare										Based on 0.46 kg/Liter									
17.8 cm (7in)	0	21.2	25.6	32.1	40.5	50.5	61.9	74.4	87.6	101.5	115.6	129.8	143.7	157.2	169.9	181.6	192.0	200.9	208.0	213.0	215.7									
19.1 cm (7.5in)	0	19.8	23.9	30.0	37.8	47.2	57.8	69.4	81.8	94.7	107.9	121.1	134.2	146.7	158.6	169.5	179.2	187.5	194.1	198.8	201.4									
20.3 cm (8in)	0	18.5	22.4	28.1	35.5	44.2	54.2	65.1	76.7	88.8	101.2	113.6	125.8	137.5	148.7	158.9	168.0	175.8	182.0	186.4	188.8									

Soybeans

Metric	Seed Rate Handle Setting Number																													
	0	5	10	15	20	25	30	35	40	45	50	55	60	65	70	75	80	85	90	95	100									
Rows	Drive Type 1										Seed Rate in Kilograms per Hectare										Based on 0.75 kg/Liter									
17.8 cm (7in)	0	5.3	9.1	13.4	18.2	23.4	28.8	34.5	40.4	46.3	52.3	58.2	64.0	69.6	75.0	80.0	84.5	88.7	92.2	95.1	97.4									
19.1 cm (7.5in)	0	4.9	8.5	12.6	17.0	21.8	26.9	32.2	37.7	43.3	48.8	54.3	59.8	65.0	70.0	74.6	78.9	82.7	86.1	88.8	90.9									
20.3 cm (8in)	0	4.6	8.0	11.8	16.0	20.5	25.2	30.2	35.3	40.6	45.8	51.0	56.0	60.9	65.6	70.0	74.0	77.6	80.7	83.3	85.2									
Rows	Drive Type 2										Seed Rate in Kilograms per Hectare										Based on 0.75 kg/Liter									
17.8 cm (7in)	0	10.9	18.7	27.6	37.5	48.1	59.3	71.0	83.0	95.3	107.5	119.7	131.6	143.1	154.1	164.3	173.8	182.2	189.5	195.6	200.2									
19.1 cm (7.5in)	0	10.2	17.5	25.8	35.0	44.9	55.3	66.3	77.5	88.9	100.4	111.7	122.8	133.6	143.8	153.4	162.2	170.1	176.9	182.5	186.8									
20.3 cm (8in)	0	9.5	16.4	24.2	32.8	42.1	51.9	62.1	72.7	83.4	94.1	104.7	115.2	125.2	134.8	143.8	152.1	159.4	165.8	171.1	175.2									
Rows	Drive Type 3										Seed Rate in Kilograms per Hectare										Based on 0.75 kg/Liter									
17.8 cm (7in)	0	14.2	27.2	41.2	56.2	71.9	88.3	105.1	122.3	139.7	157.1	174.3	191.3	207.8	223.8	239.0	253.3	266.6	278.8	289.6	298.9									
19.1 cm (7.5in)	0	13.2	25.3	38.4	52.4	67.1	82.4	98.1	114.2	130.4	146.6	162.7	178.5	194.0	208.5	223.1	236.4	248.9	260.2	270.3	278.9									
20.3 cm (8in)	0	12.4	23.8	36.0	49.1	62.9	77.3	92.0	107.0	122.2	137.4	152.5	167.4	181.8	195.8	209.1	221.7	233.3	243.9	253.4	261.5									
Rows	Drive Type 4										Seed Rate in Kilograms per Hectare										Based on 0.75 kg/Liter									
17.8 cm (7in)	0	23.1	44.3	67.2	91.6	117.3	144.0	171.4	199.4	227.7	256.1	284.2	311.8	338.8	364.8	389.7	413.0	434.7	454.5	472.1	487.3									
19.1 cm (7.5in)	0	21.6	41.3	62.7	85.5	109.4	134.4	160.0	186.2	212.6	239.0	265.2	291.1	316.2	340.5	363.7	385.5	405.8	424.2	440.6	454.8									
20.3 cm (8in)	0	20.2	38.7	58.8	80.1	102.6	126.0	150.0	174.5	199.3	224.1	248.7	272.9	296.5	319.2	340.9	361.4	380.4	397.7	413.1	426.4									

Metric Rate Charts, Main Seed Box, continued...

Sunflowers-Dahlgren Confection

Metric	Seed Rate Handle Setting Number																				
	0	5	10	15	20	25	30	35	40	45	50	55	60	65	70	75	80	85	90	95	100
Rows	Drive Type 1					Seed Rate in Kilograms per Hectare										Based on 0.36 kg/Liter					
17.8 cm (7in)	0	0.4	2.2	4.1	6.3	8.5	10.8	13.3	15.8	18.3	20.9	23.4	25.9	28.3	30.7	33.0	35.1	37.1	39.0	40.6	42.0
19.1 cm (7.5in)	0	0.4	2.0	3.9	5.8	7.9	10.1	12.4	14.7	17.1	19.5	21.8	24.2	26.5	28.7	30.8	32.8	34.7	36.4	37.9	39.2
20.3 cm (8in)	0	0.4	1.9	3.6	5.5	7.4	9.5	11.6	13.8	16.0	18.2	20.5	22.7	24.8	26.9	28.9	30.7	32.5	34.1	35.5	36.8
Rows	Drive Type 2					Seed Rate in Kilograms per Hectare										Based on 0.36 kg/Liter					
17.8 cm (7in)	0	0.8	4.5	8.5	12.9	17.5	22.3	27.3	32.4	37.6	42.9	48.1	53.2	58.3	63.1	67.8	72.2	76.3	80.1	83.4	86.3
19.1 cm (7.5in)	0	0.8	4.2	7.9	12.0	16.3	20.8	25.5	30.3	35.1	40.0	44.9	49.7	54.4	58.9	63.3	67.4	71.2	74.7	77.9	80.6
20.3 cm (8in)	0	0.7	3.9	7.4	11.2	15.3	19.5	23.9	28.4	32.9	37.5	42.1	46.6	51.0	55.2	59.3	63.2	66.8	70.1	73.0	75.5
Rows	Drive Type 3					Seed Rate in Kilograms per Hectare										Based on 0.36 kg/Liter					
17.8 cm (7in)	0	3.3	7.1	11.8	17.1	23.0	29.3	36.1	43.2	50.5	57.9	65.3	72.7	79.9	86.9	93.6	99.8	105.5	110.6	115.0	118.7
19.1 cm (7.5in)	0	3.1	6.7	11.0	15.9	21.4	27.4	33.7	40.3	47.1	54.0	61.0	67.8	74.6	81.1	87.3	93.2	98.5	103.3	107.4	110.8
20.3 cm (8in)	0	2.9	6.3	10.3	14.9	20.1	25.7	31.6	37.8	44.1	50.6	57.1	63.6	69.9	76.1	81.9	87.3	92.3	96.8	100.7	103.8
Rows	Drive Type 4					Seed Rate in Kilograms per Hectare										Based on 0.36 kg/Liter					
17.8 cm (7in)	0	5.3	11.6	19.2	27.8	37.4	47.8	58.8	70.4	82.3	94.3	106.5	118.5	130.3	141.7	152.6	162.7	172.1	180.4	187.6	193.5
19.1 cm (7.5in)	0	5.0	10.9	17.9	26.0	34.9	44.6	54.9	65.7	76.8	88.1	99.4	110.6	121.6	132.3	142.4	151.9	160.6	168.4	175.1	180.6
20.3 cm (8in)	0	4.7	10.2	16.8	24.4	32.7	41.8	51.5	61.6	72.0	82.6	93.2	103.7	114.0	124.0	133.5	142.4	150.5	157.8	164.1	169.3

Wheat-Abeline

Metric	Seed Rate Handle Setting Number																				
	0	5	10	15	20	25	30	35	40	45	50	55	60	65	70	75	80	85	90	95	100
Rows	Drive Type 1					Seed Rate in Kilograms per Hectare										Based on 0.82 kg/Liter					
17.8 cm (7in)	0	9.4	11.7	14.8	18.7	23.3	28.5	34.1	40.0	46.3	52.7	59.2	65.6	72.0	78.1	83.8	89.2	94.1	98.3	101.8	104.5
19.1 cm (7.5in)	0	8.7	10.9	13.8	17.5	21.8	26.6	31.8	37.4	43.2	49.2	55.2	61.3	67.2	72.9	78.3	83.3	87.8	91.7	95.0	97.5
20.3 cm (8in)	0	8.2	10.2	13.0	16.4	20.4	24.9	29.8	35.0	40.5	46.1	51.8	57.4	63.0	68.3	73.4	78.1	82.3	86.0	89.1	91.4
Rows	Drive Type 2					Seed Rate in Kilograms per Hectare										Based on 0.82 kg/Liter					
17.8 cm (7in)	0	19.2	24.0	30.5	38.5	47.9	58.5	70.0	82.3	95.1	108.3	121.6	134.9	147.9	160.5	172.4	183.4	193.3	202.0	209.3	214.8
19.1 cm (7.5in)	0	17.9	22.4	28.4	36.0	44.7	54.6	65.4	76.8	88.8	101.1	113.5	125.9	138.1	149.8	160.9	171.2	180.5	188.6	195.3	200.5
20.3 cm (8in)	0	16.8	21.0	26.7	33.7	41.9	51.2	61.3	72.0	83.3	94.8	106.4	118.0	129.4	140.4	150.8	160.5	169.2	176.8	183.1	188.0
Rows	Drive Type 3					Seed Rate in Kilograms per Hectare										Based on 0.82 kg/Liter					
17.8 cm (7in)	0	24.2	33.7	45.1	58.2	72.8	88.7	105.6	123.3	141.6	160.1	178.7	197.2	215.2	232.7	249.2	264.6	278.7	291.2	301.9	310.5
19.1 cm (7.5in)	0	22.6	31.4	42.1	54.3	68.0	82.8	98.6	115.1	132.1	149.4	166.8	184.0	200.9	217.1	232.6	247.0	260.1	271.8	281.8	289.8
20.3 cm (8in)	0	21.2	29.5	39.4	50.9	63.7	77.6	92.4	107.9	123.9	140.1	156.4	172.5	188.3	203.6	218.0	231.5	243.9	254.8	264.1	271.7
Rows	Drive Type 4					Seed Rate in Kilograms per Hectare										Based on 0.82 kg/Liter					
17.8 cm (7in)	0	39.5	54.9	73.5	94.9	118.8	144.7	172.2	201.1	230.8	261.0	291.4	321.5	350.9	379.3	406.3	431.5	454.4	474.8	492.2	506.2
19.1 cm (7.5in)	0	36.9	51.2	68.6	88.6	110.9	135.0	160.8	187.7	215.4	243.6	272.0	300.1	327.5	354.0	379.2	402.7	424.1	443.1	459.4	472.5
20.3 cm (8in)	0	34.6	48.0	64.3	83.1	103.9	126.6	150.7	175.9	202.0	228.4	255.0	281.3	307.1	331.9	355.5	377.5	397.6	415.4	430.7	443.0

Metric Rate Charts, Main Seed Box, continued...

Wheat Grass-Buffalo Brand

Metric	Seed Rate Handle Setting Number																				
	0	5	10	15	20	25	30	35	40	45	50	55	60	65	70	75	80	85	90	95	100
Rows	Drive Type 1							Seed Rate in Kilograms per Hectare							Based on 0.30 kg/Liter						
17.8 cm (7in)	0	1.2	2.2	3.2	4.2	5.3	6.4	7.6	8.7	9.9	11.1	12.3	13.4	14.6	15.7	16.8	17.8	18.8	19.7	20.6	21.3
19.1 cm (7.5in)	0	1.2	2.0	3.0	3.9	4.9	6.0	7.1	8.1	9.2	10.3	11.4	12.5	13.6	14.6	15.6	16.6	17.5	18.4	19.2	19.9
20.3 cm (8in)	0	1.1	1.9	2.8	3.7	4.6	5.6	6.6	7.6	8.7	9.7	10.7	11.7	12.7	13.7	14.7	15.6	16.4	17.2	18.0	18.7
Rows	Drive Type 2							Seed Rate in Kilograms per Hectare							Based on 0.30 kg/Liter						
17.8 cm (7in)	0	2.5	4.5	6.5	8.6	10.9	13.2	15.5	17.9	20.3	22.8	25.2	27.6	29.9	32.2	34.5	36.6	38.6	40.5	42.3	43.9
19.1 cm (7.5in)	0	2.4	4.2	6.1	8.1	10.1	12.3	14.5	16.7	19.0	21.3	23.5	25.7	27.9	30.1	32.2	34.1	36.0	37.8	39.5	41.0
20.3 cm (8in)	0	2.2	3.9	5.7	7.6	9.5	11.5	13.6	15.7	17.8	19.9	22.0	24.1	26.2	28.2	30.1	32.0	33.8	35.4	37.0	38.4
Rows	Drive Type 3							Seed Rate in Kilograms per Hectare							Based on 0.30 kg/Liter						
17.8 cm (7in)	0	4.6	7.0	9.7	12.7	15.8	19.1	22.5	26.1	29.7	33.3	36.9	40.5	44.0	47.4	50.7	53.8	56.6	59.3	61.7	63.7
19.1 cm (7.5in)	0	4.3	6.5	9.1	11.8	14.8	17.8	21.0	24.3	27.7	31.1	34.4	37.8	41.1	44.2	47.3	50.2	52.9	55.3	57.6	59.5
20.3 cm (8in)	0	4.0	6.1	8.5	11.1	13.8	16.7	19.7	22.8	26.0	29.1	32.3	35.4	38.5	41.5	44.3	47.0	49.6	51.9	54.0	55.8
Rows	Drive Type 4							Seed Rate in Kilograms per Hectare							Based on 0.30 kg/Liter						
17.8 cm (7in)	0	7.4	11.4	15.9	20.7	25.8	31.2	36.8	42.5	48.4	54.3	60.2	66.0	71.7	77.3	82.6	87.6	92.4	96.7	100.6	103.9
19.1 cm (7.5in)	0	6.9	10.7	14.8	19.3	24.1	29.1	34.3	39.7	45.1	50.7	56.2	61.6	66.9	72.1	77.1	81.8	86.2	90.2	93.9	97.0
20.3 cm (8in)	0	6.5	10.0	13.9	18.1	22.6	27.3	32.2	37.2	42.3	47.5	52.7	57.8	62.8	67.6	72.3	76.7	80.8	84.6	88.0	90.9

Metric Small Seeds Seed Rate Charts

Small seeds box rate instructions are on page 16.
Charts in U.S. customary units begin on page 17.

Alfalfa, Red Alsike, Crimson Clover

Metric	Small Seeds Cup Lever Setting																				
	0	5	10	15	20	25	30	35	40	45	50	55	60	65	70	75	80	85	90	95	100
Rows	Seeding Rate in Kilograms per Hectare																				
17.8cm (7in)	0	0.0	2.1	3.4	4.6	5.7	7.2	8.5	9.5	10.7	12.2	13.3	14.5	15.8	16.9	18.4	19.5	20.6	22.5	23.2	24.3
19.1cm (7.5in)	0	0.0	2.0	3.2	4.4	5.4	6.8	7.9	8.9	10.1	11.3	12.5	13.6	14.9	15.8	17.2	18.3	19.4	20.6	21.7	22.9
20.3cm (8in)	0	0.0	1.8	2.9	4.1	5.1	6.3	7.4	8.3	9.5	10.6	11.6	12.7	13.9	14.8	14.8	17.1	18.1	19.3	19.3	21.3
25.4cm (10in)	0	0.0	1.5	2.4	3.2	3.9	5.0	5.7	6.5	7.4	8.3	9.1	10.0	10.9	11.6	12.6	13.4	14.2	15.1	15.1	15.1

Kentucky Bluegrass, Fescue, Annual Rye Grass

Metric	Small Seeds Cup Lever Setting																				
	0	5	10	15	20	25	30	35	40	45	50	55	60	65	70	75	80	85	90	95	100
Rows	Seeding Rate in Kilograms per Hectare																				
17.8cm (7in)	0	0.0	0.2	1.1	1.8	2.6	3.2	3.9	4.5	5.1	5.6	6.1	6.6	7.1	7.5	8.0	8.5	8.9	9.0	9.7	10.1
19.1cm (7.5in)	0	0.0	0.2	1.0	1.7	2.5	3.0	3.7	4.2	4.7	5.2	5.7	6.2	6.6	7.1	7.5	7.9	8.3	8.3	9.1	9.5
20.3cm (8in)	0	0.0	0.2	1.0	1.6	2.3	2.3	3.4	3.9	4.4	4.8	5.4	5.4	6.2	6.6	7.0	7.4	7.4	8.5	8.5	8.9
25.4cm (10in)	0	0.0	0.1	0.8	0.8	1.8	2.3	2.3	2.3	3.5	3.5	4.2	4.5	4.8	5.2	5.5	5.5	6.1	6.1	6.6	7.0

Bermuda, Red Top, Lespedeza Unhulled, Sercia, Sand, Weeping Love Grass

Metric	Small Seeds Cup Lever Setting																				
	0	5	10	15	20	25	30	35	40	45	50	55	60	65	70	75	80	85	90	95	100
Rows	Seeding Rate in Kilograms per Hectare																				
17.8cm (7in)	0	0.0	0.7	1.0	1.7	2.5	3.2	4.1	4.8	5.7	6.3	7.0	7.0	8.0	8.7	9.1	9.8	10.6	11.3	11.8	12.4
19.1cm (7.5in)	0	0.0	0.6	1.0	1.6	2.4	2.9	3.7	4.5	5.3	6.0	6.5	7.1	7.5	8.1	8.6	9.2	9.9	10.5	11.0	11.7
20.3cm (8in)	0	0.0	0.6	0.9	1.5	2.3	2.8	3.5	4.3	5.0	5.5	6.1	6.6	7.3	7.5	8.0	8.6	9.2	9.8	10.4	10.9
25.4cm (10in)	0	0.0	0.5	0.7	1.1	1.7	2.1	2.7	3.4	3.9	4.4	4.7	5.2	5.2	6.0	6.3	6.8	7.2	7.7	8.1	8.1

Red & Sweet Clover, Lespedeza Hulled

Metric	Small Seeds Cup Lever Setting																				
	0	5	10	15	20	25	30	35	40	45	50	55	60	65	70	75	80	85	90	95	100
Rows	Seeding Rate in Kilograms per Hectare																				
17.8cm (7in)	0	0.0	1.5	3.3	5.1	6.9	8.7	10.9	12.7	14.8	16.5	18.4	20.1	21.7	23.7	25.6	27.7	29.1	31.0	32.7	34.4
19.1cm (7.5in)	0	0.0	1.4	3.0	4.7	6.4	8.1	10.3	11.9	13.9	15.4	17.2	18.8	20.4	22.2	23.9	25.6	27.3	29.1	30.6	32.2
20.3cm (8in)	0	0.0	1.2	2.8	4.4	4.4	7.5	9.6	11.2	13.0	14.4	16.1	17.6	19.0	20.6	22.3	23.9	25.5	27.2	28.6	30.1
25.4cm (10in)	0	0.0	1.0	2.3	3.5	4.7	6.0	7.5	8.8	10.1	11.3	12.6	13.7	15.0	16.2	17.6	18.7	20.1	21.3	21.3	23.6

Metric Rate Charts, Small Seeds Box, continued...

Orchard Grass

Metric	Small Seeds Cup Lever Setting																				
	0	5	10	15	20	25	30	35	40	45	50	55	60	65	70	75	80	85	90	95	100
Rows	Seeding Rate in Kilograms per Hectare																				
17.8cm (7in)	0	0.0	0.0	0.2	0.7	0.8	1.2	1.5	1.9	2.4	2.7	3.2	3.4	3.8	4.2	4.6	4.8	5.3	5.6	5.6	6.1
19.1cm (7.5in)	0	0.0	0.0	0.2	0.6	0.8	0.8	1.4	1.4	1.4	1.4	1.4	3.2	3.6	3.9	4.4	4.5	5.0	5.2	5.5	5.5
20.3cm (8in)	0	0.0	0.0	0.2	0.6	0.8	1.1	1.2	1.7	2.0	2.4	2.8	2.9	3.3	3.7	4.1	4.3	4.6	4.8	5.2	5.4
25.4cm (10in)	0	0.0	0.0	0.1	0.5	0.6	0.9	1.0	1.4	1.6	1.9	2.1	2.4	2.6	2.9	3.2	3.4	3.6	3.7	4.1	4.2

Millet, Reed Canary

Metric	Small Seeds Cup Lever Setting																				
	0	5	10	15	20	25	30	35	40	45	50	55	60	65	70	75	80	85	90	95	100
Rows	Seeding Rate in Kilograms per Hectare																				
17.8cm (7in)	0	0.5	1.4	2.4	3.4	4.3	5.3	6.3	7.2	8.2	9.1	10.1	11.2	12.1	13.1	14.1	15.0	16.0	17.0	17.9	18.1
19.1cm (7.5in)	0	0.3	1.4	1.4	1.4	4.1	5.0	5.9	6.8	7.7	8.6	9.5	10.5	11.4	12.3	13.2	14.1	15.0	15.9	16.8	17.0
20.3cm (8in)	0	0.3	1.2	2.0	2.9	3.7	4.6	5.5	5.5	7.2	8.0	8.9	9.7	10.6	11.5	12.3	13.2	14.0	14.9	15.7	15.9
25.4cm (10in)	0	0.3	0.9	1.6	2.3	2.3	3.6	4.3	5.0	5.6	6.3	7.0	7.0	8.3	9.0	9.7	10.4	11.0	11.7	12.3	13.0

Ladino Clover, Canary Grass, Timothy, Canola

Metric	Small Seeds Cup Lever Setting																				
	0	5	10	15	20	25	30	35	40	45	50	55	60	65	70	75	80	85	90	95	100
Rows	Seeding Rate in Kilograms per Hectare																				
17.8cm (7in)	0	0.0	1.0	1.9	1.9	4.6	5.9	7.4	8.9	10.4	11.8	13.3	15.0	16.5	17.9	19.6	21.1	22.5	24.8	26.4	28.3
19.1cm (7.5in)	0	0.0	1.0	1.8	2.9	4.4	4.4	4.4	8.3	9.7	11.0	12.5	14.1	15.4	16.8	18.4	19.8	21.2	23.0	24.7	26.5
20.3cm (8in)	0	0.0	0.9	1.7	1.7	4.1	5.2	6.4	7.8	7.8	10.4	11.6	13.1	14.4	15.7	15.7	18.5	19.7	21.4	21.4	24.7
25.4cm (10in)	0	0.0	0.7	1.7	2.1	2.8	4.1	5.1	6.1	7.1	8.1	9.1	10.3	11.3	12.3	13.5	14.5	15.5	16.8	18.1	19.4

Birdsfoot, Trefoil, Sudan

Metric	Small Seeds Cup Lever Setting																				
	0	5	10	15	20	25	30	35	40	45	50	55	60	65	70	75	80	85	90	95	100
Rows	Seeding Rate in Kilograms per Hectare																				
17.8cm (7in)	0	0.0	1.7	3.2	5.1	6.5	8.5	10.4	12.3	14.1	16.2	18.6	20.5	22.5	22.5	27.0	28.8	31.0	32.7	35.0	37.1
19.1cm (7.5in)	0	0.0	1.6	1.6	1.6	1.6	7.9	9.7	11.5	11.5	15.2	17.4	17.4	17.4	17.4	25.4	27.0	29.1	31.1	32.8	32.8
20.3cm (8in)	0	0.0	1.5	2.8	4.4	5.7	7.4	9.1	10.7	12.4	14.2	16.2	17.9	19.7	21.6	23.7	25.2	27.2	29.0	30.6	32.5
25.4cm (10in)	0	0.0	1.1	2.1	3.5	4.5	5.7	7.1	8.5	9.7	11.2	12.7	12.7	15.5	17.0	18.6	19.8	21.3	22.8	24.1	25.6

Metric Native Grass Seed Rates

Native Grass rate instructions are on page 19.
Charts in U.S. customary units begin on page 21.

Native Grass Mix Rates, Metric

Metric	Driven Sprocket	15	16	17	18	19	20	21	22	23	24
Rows	Drive Type	Seeding Rate in Kilograms per Hectare									
17.8cm (7in)	1	10.1	9.5	8.9	8.4	8.0	7.6	7.2	6.9	6.6	6.3
	2	20.8	19.5	18.4	17.4	16.5	15.6	14.9	14.2	13.6	13.0
	3	31.3	29.3	27.6	26.0	24.7	23.4	22.3	21.3	20.4	19.5
	4	51.0	47.8	45.0	42.5	40.2	38.2	36.4	34.7	33.2	31.9
19.1cm (7.5in)	1	9.5	8.9	8.3	7.9	7.5	7.1	6.8	6.5	6.2	5.9
	2	19.4	18.2	17.2	16.2	15.4	14.6	13.9	13.3	12.7	12.2
	3	29.2	27.4	25.7	24.3	23.0	21.9	20.8	19.9	19.0	18.2
	4	47.6	44.6	42.0	39.6	37.6	35.7	34.0	32.4	31.0	29.7
20.3cm (8in)	1	8.9	8.3	7.8	7.4	7.0	6.7	6.3	6.0	5.8	5.5
	2	18.2	17.1	16.1	15.2	14.4	13.7	13.0	12.4	11.9	11.4
	3	27.4	25.6	24.1	22.8	21.6	20.5	19.5	18.6	17.8	17.1
	4	44.6	41.8	39.3	37.2	35.2	33.4	31.9	30.4	29.1	27.9

Brome Grass Rates, Metric

Metric	Driven Sprocket	15	16	17	18	19	20	21	22	23	24
Rows	Drive Type	Seeding Rate in Kilograms per Hectare									
17.8cm (7in)	1	10.4	9.7	9.1	8.6	8.2	7.8	7.4	7.1	6.8	6.5
	2	21.2	19.9	18.7	17.7	16.7	15.9	15.2	14.5	13.8	13.3
	3	31.8	29.8	28.1	26.5	25.1	23.9	22.7	21.7	20.8	19.9
	4	51.9	48.6	45.8	43.2	41.0	38.9	37.1	35.4	33.8	32.4
19.1cm (7.5in)	1	9.7	9.1	8.5	8.1	7.6	7.3	6.9	6.6	6.3	6.0
	2	19.9	18.6	17.5	16.6	15.7	14.9	14.2	13.6	13.0	12.4
	3	29.8	28.0	26.3	24.9	23.6	22.4	21.3	20.3	19.5	18.6
	4	48.6	45.6	42.9	40.5	38.4	36.5	34.7	33.2	31.7	30.4
20.3cm (8in)	1	9.1	8.5	8.0	7.6	7.2	6.8	6.5	6.2	5.9	5.7
	2	18.6	17.5	16.5	15.5	14.7	14.0	13.3	12.7	12.2	11.7
	3	28.0	26.2	24.7	23.3	22.1	21.0	20.0	19.1	18.2	17.5
	4	45.6	42.8	40.2	38.0	36.0	34.2	32.6	31.1	29.7	28.5

Metric Fertilizer Rates in Kilograms per Hectare

Fertilizer rate instructions are on page 22.
Chart in U.S. customary units is on page 23.

Metric	Setting Number																		
	10	15	20	25	30	35	40	45	50	55	60	65	70	75	80	85	90	95	100
Rows	Application Rate - Kilograms per Hectare																		
17.8cm (7in)	15	22	29	43	61	83	104	119	134	161	186	201	214	237	258	282	305	329	353
19.1cm (7.5in)	13	20	27	42	57	76	98	112	126	150	175	189	202	222	243	265	287	310	331
20.3cm (8in)	12	19	26	40	54	70	92	106	118	141	164	177	190	209	228	248	269	291	311
25.4cm (10in)	10	16	21	33	43	58	74	84	94	113	131	141	152	167	182	199	216	232	248

Density Conversion Charts

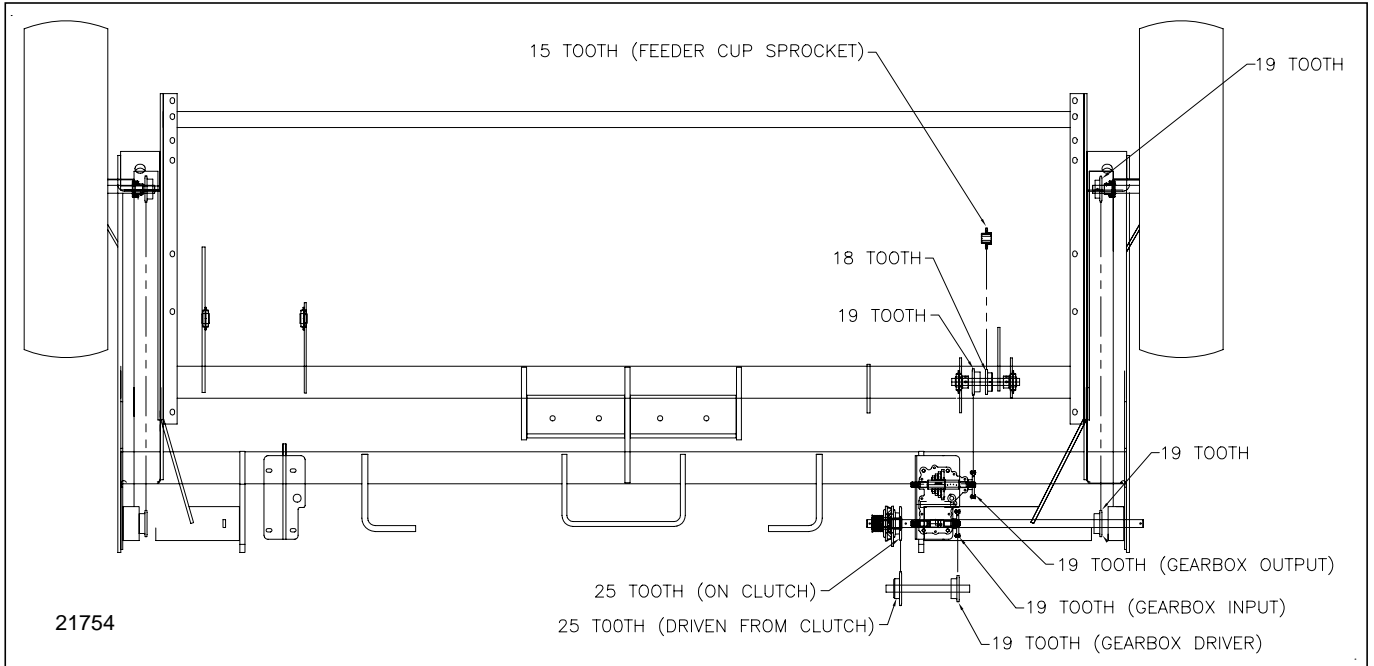
The fertilizer meter rate charts are based on fertilizer with a density of 1.04 kilograms per liter. If you are applying fertilizer of a different density, use the following table to convert application rate.

Density, kg/l	725	800	875	950	1041	1125	1200	1275
Conversion Factor	1.44	1.30	1.19	1.10	1.00	0.93	0.87	0.82

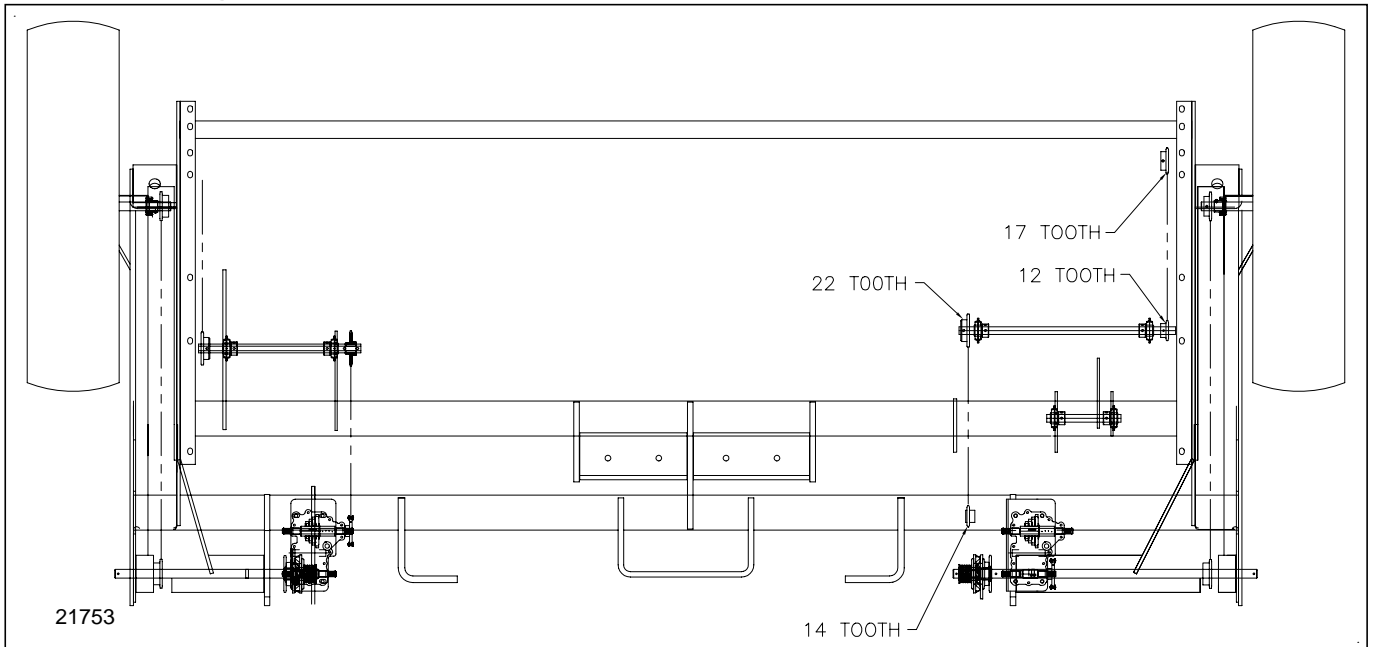


Sprocket Configurations

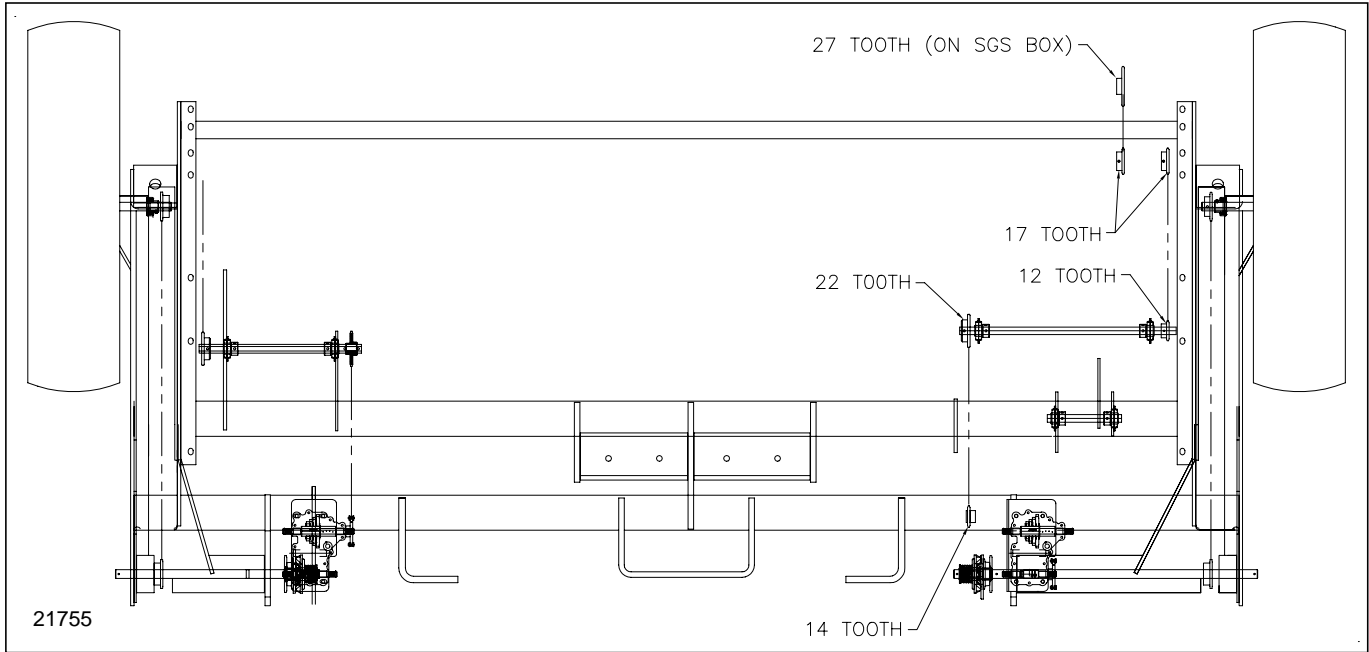
Main Seed Box



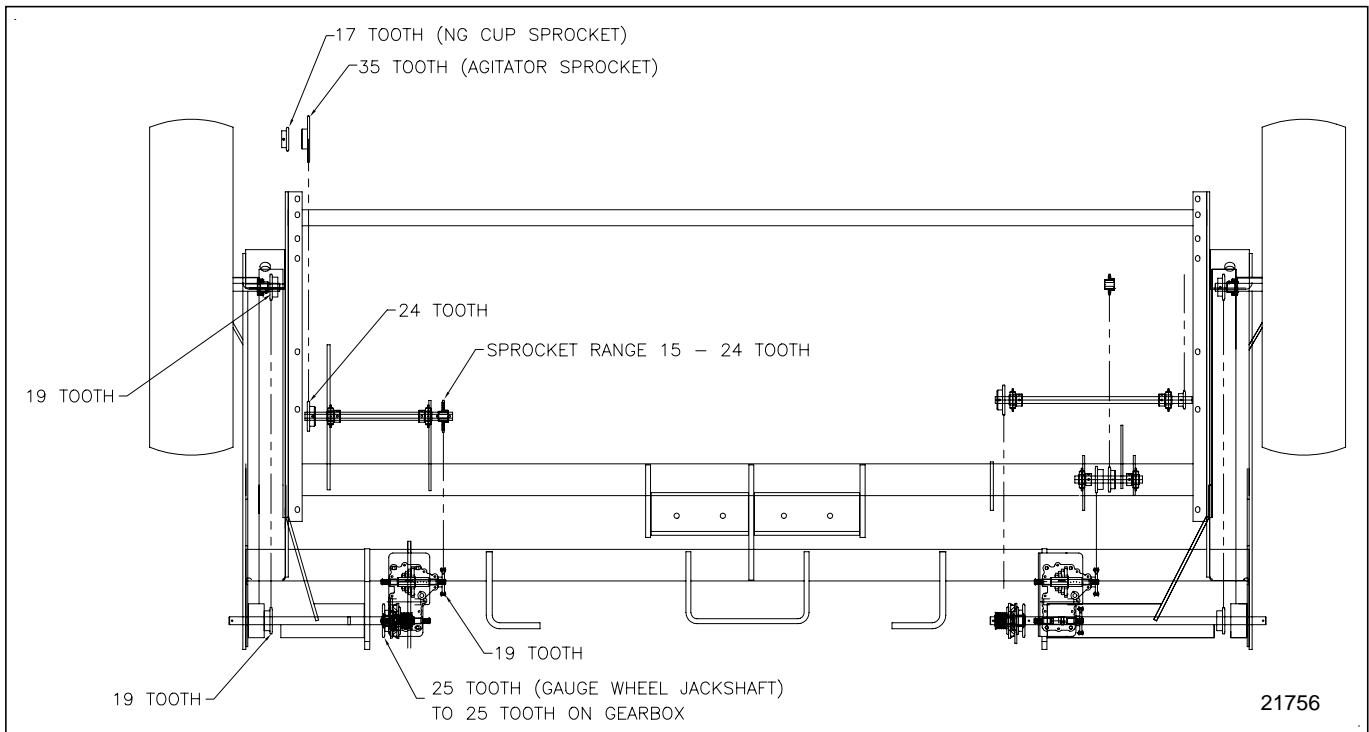
Seed Box Agitator



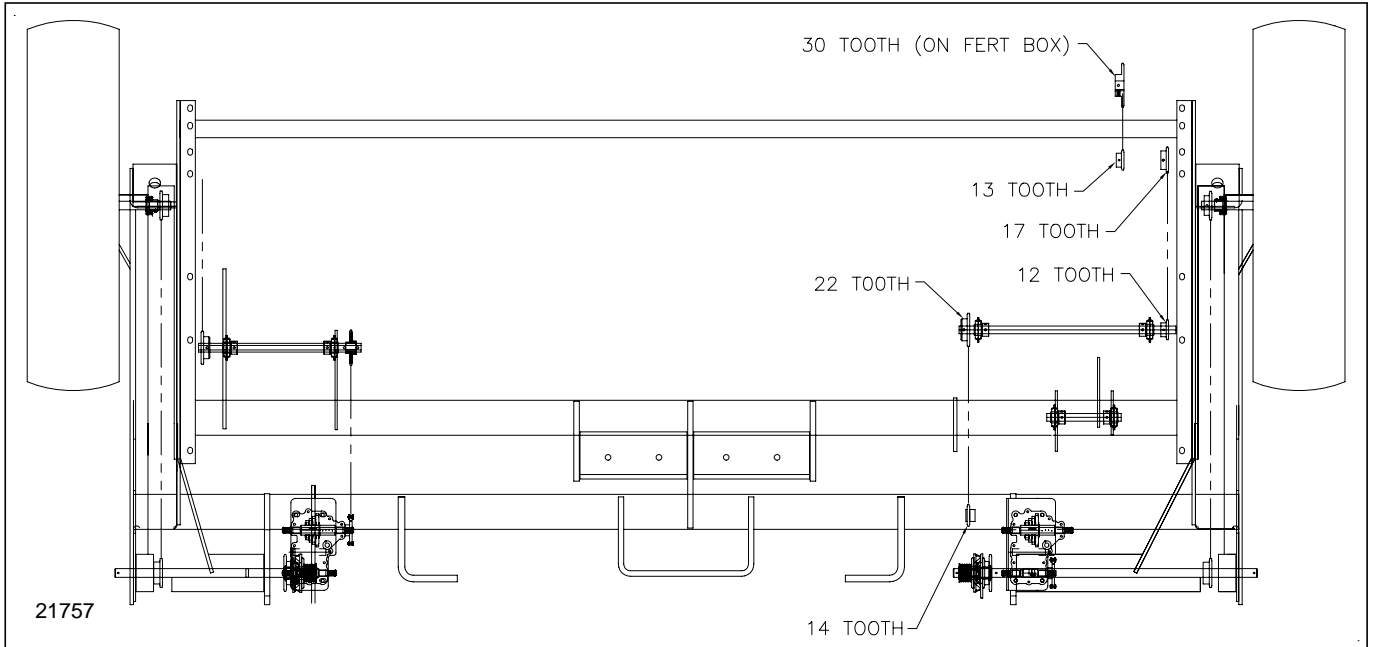
Small Seeds Box



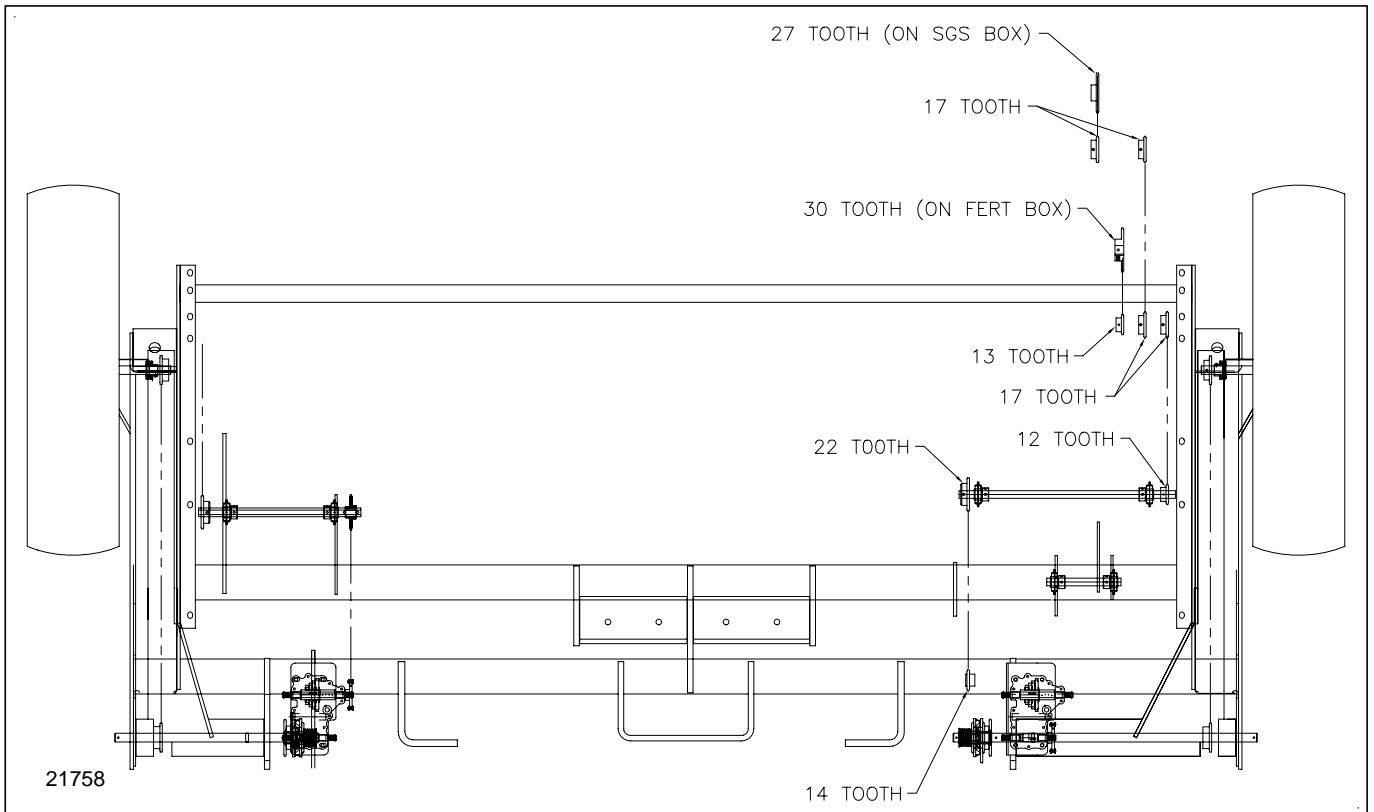
Native Grass



Fertilizer



Fertilizer with Small Seeds



Great Plains Manufacturing, Inc.

Corporate Office: PO Box 5060
Salina, KS 67402-5060 USA