

- NOTES:**
1. FINISHED FLOOR ELEVATION LEVEL = 46'-0"
  2. FORMED CONCRETE NOT EXPOSED TO WEATHER = 1 1/2"
  3. STOCK LENGTH USED IS 40'-0"
  4. TENSION B LAP SPLICES ARE USED AS PER SHEET S4.00 FOR CONCRETE

GRADE-60  
(AS PER SLAB TABLE ON S4.00)

CLASS B LAP 4000 PSI FOR FOUNDATION		
SIZE	BOT	TOP
#3	16"	16"
#4	20"	25"
#5	28"	37"
#6	38"	49"

- LEGENDS:**
- ALT - ALTERNATE
  - CJ - CONSTRUCTION JOINT
  - CLR - CLEAR
  - COL - COLUMN
  - CONT - CONTINUOUS
  - DWL - DWEL
  - EA - EACH
  - ES - EACH SIDE
  - EW - EACH WAY
  - LW - LONG WAY
  - SW - SHORT WAY
  - MDWL - MASONRY DWEL
  - OPNG - OPENING
  - REINF - REINFORCEMENT
  - SOG - SLAB ON GRADE
  - T/SOG - TOP OF SLAB ON GRADE
  - TS - THICKENED SLAB
  - UNO - UNLESS NOTED OTHERWISE

BENDING DETAILS.																	
Bar Mark	Qty	Size	Total length	Type	'A'	'B'	'C'	'D'	'E'	'F'	'G'	'H'	'I'	'J'	'K'	'L'	'M'
3Y0a	1#3	17'8"				17'8"											
3Y0e	1#3	25'11"					25'11"										
3Y0z	1#3	39'					39'										
3Y0z	1#3	23'9"					23'9"										
3Y0z	1#3	16'					16'										
3Y0z	1#3	26'4"					26'4"										
3Y0z	1#3	17'					17'										
3Y0z	1#3	26'4"					26'4"										
3Y0z	1#3	38'					38'										
3Y0z	1#3	23'8"					23'8"										
3Y0z	1#3	15'11"					15'11"										
3Y0e	1#3	24'8"					24'8"										
3Y11	4#3	2'0"				16'						05 1/2"			13'	23'	
3Y12	4#3	4'0"				20'											
4Y01	2#4	36'3"				19'						13 1/2"			12 1/2"	2'11 1/2"	
4Y02	2#4	77'3"				37 1/2"						3'1 1/2"			3'	6'3"	
4Y03	9#4	36'11"				19'											
5Y01	6#5	34'2"				0'0"											

REFERENCE DWG.

03/03/15	0	APPROVAL	03/03/15	APPROVAL
DATE	REV	DESCRIPTION	DATE	SENT FOR

Rebar Lab, LLC  
2304 Tulson Lane,  
Bowie MD 20721  
Phone #240-786-6543

PROJECT: AMEGY BANK  
LOCATION: HOUSTON, TEXAS

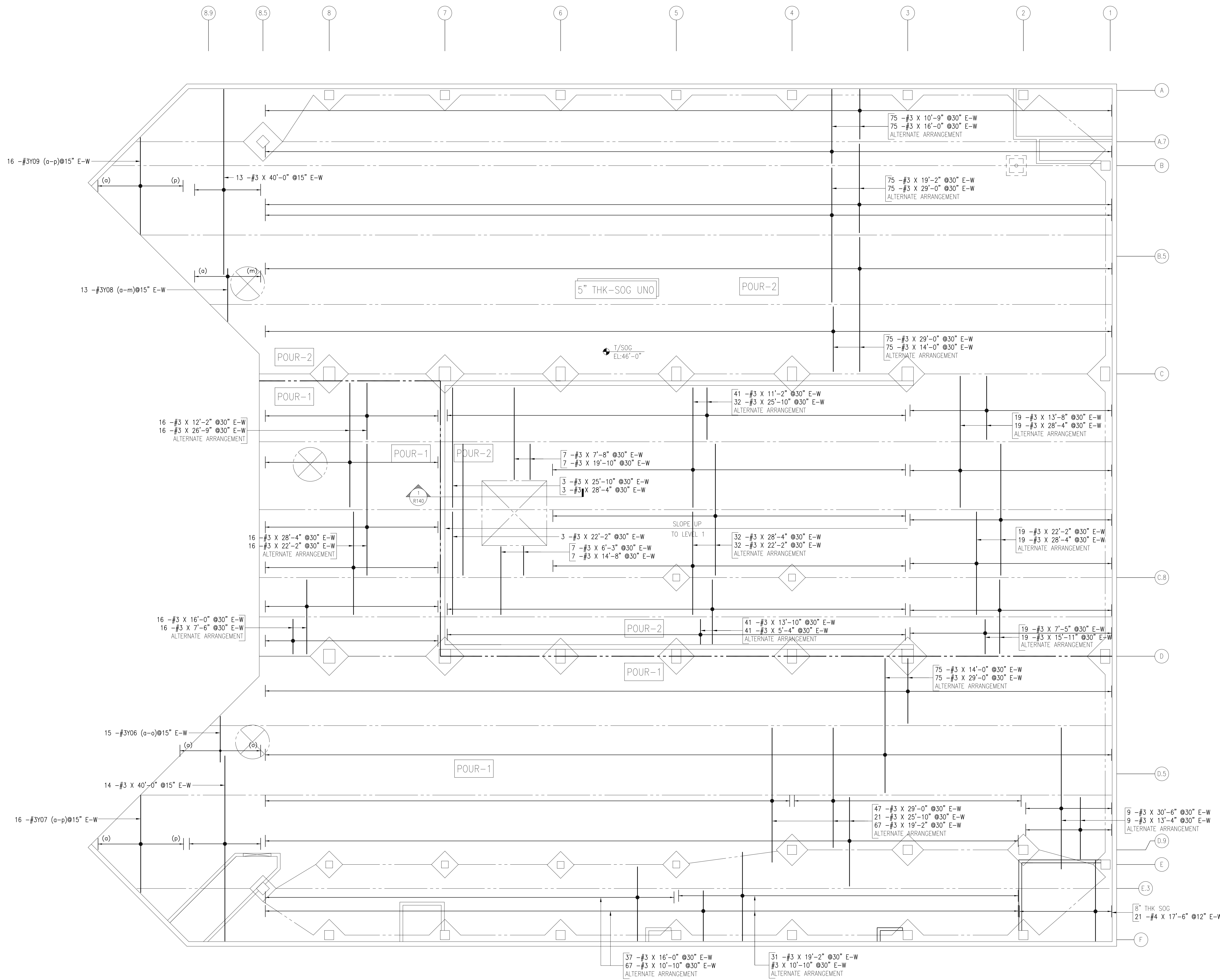
REINFORCING STEEL PLACING DRAWINGS MUST ONLY BE USED IN CONJUNCTION WITH PROJECT CONTRACT DRAWINGS & SPECIFICATIONS. ELEVATIONS & DIMENSIONS SHOWN ON THIS DRAWING ARE FOR DETAILING PURPOSES ONLY AND SHOULD NOT BE USED FOR CONSTRUCTION UNLESS VERIFIED BY ENGINEER OR CONTRACTOR.

Legend:  
IF Inside Face  
OF Outside Face  
NF Near Face  
FF Far Face  
EF Each Face

V Vertical  
H Horizontal  
EW Each Way  
B/Bot Bottom  
T Top  
SB Support Bars

Drawn By: ROH Date: 03/03/15 Reviewed By: ROH Job No.  
Drawing Covers: NORTH AREA-B1 LEVEL SOG REINFORCEMENT DETAILS Drawing no. R138

SOG N-S REINF DETAILS LEVEL-B1 NORTH  
REF: S3.00N (02/06/15)



Release Code: R139 BENDING DETAILS.

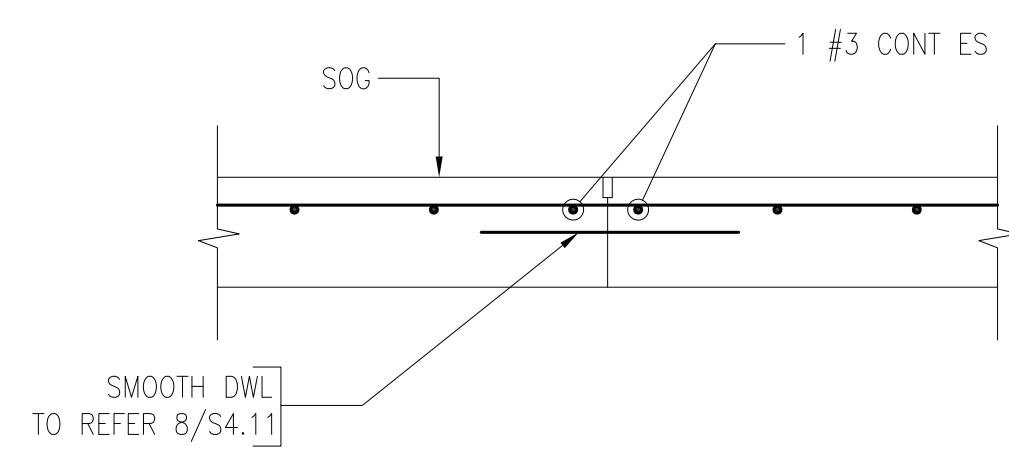
Bar Mark	Qty	Total length	Type	'	\"	\"	\"	\"	\"	\"	\"	\"	\"	\"	\"
3106a	1	13'													
3106b	1	18'													
3107a	1	7'													
3107b	1	4'													
3107c	1	38'													
3108a	1	4'													
3108b	1	18'													
3109a	1	7'													
3109b	1	39'													

SOG E-W REINF DETAILS LEVEL-B1 NORTH  
 REF: S3.00N (02/06/15)

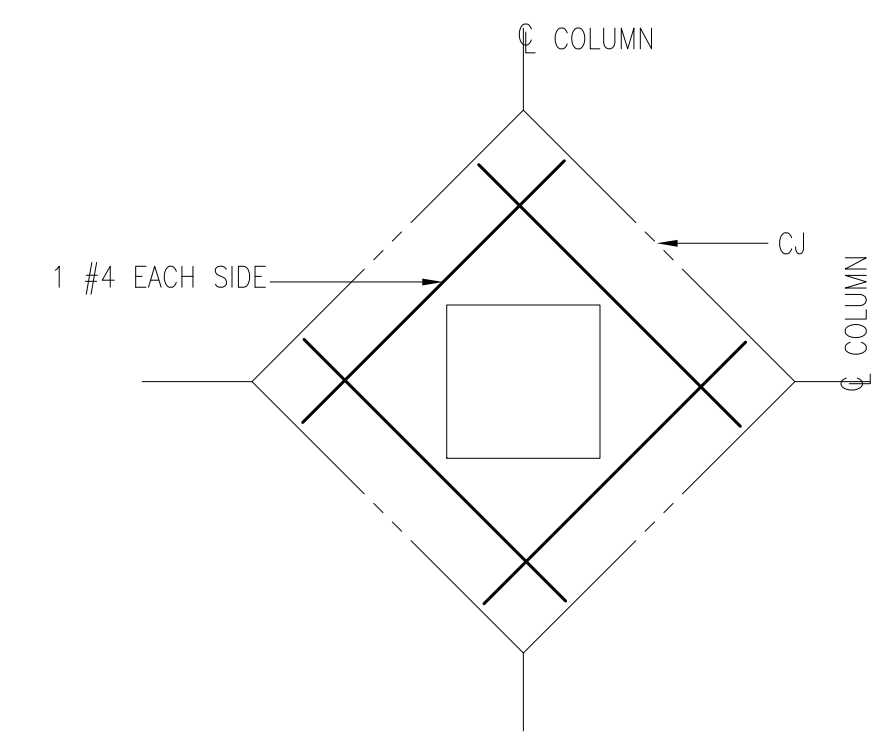
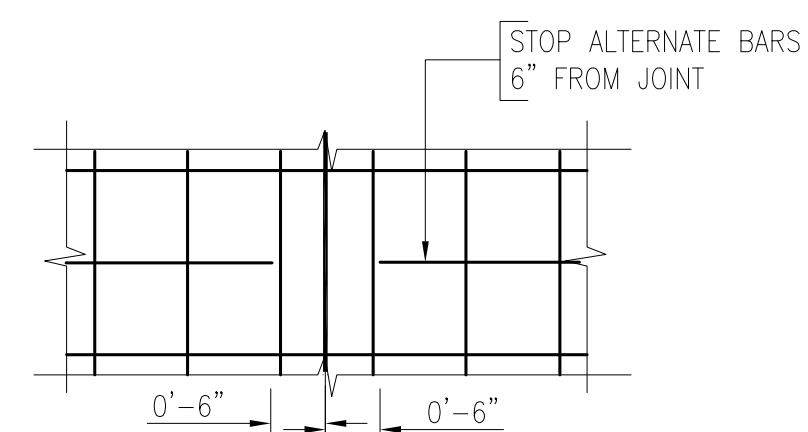
REFERENCE DWG.

Legend:  
 IF Inside Face V Vertical  
 OF Outside Face H Horizontal  
 NF Near Face EW Each Way  
 FF Far Face B/Bot Bottom  
 EF Each Face T Top  
 SB Support Bars

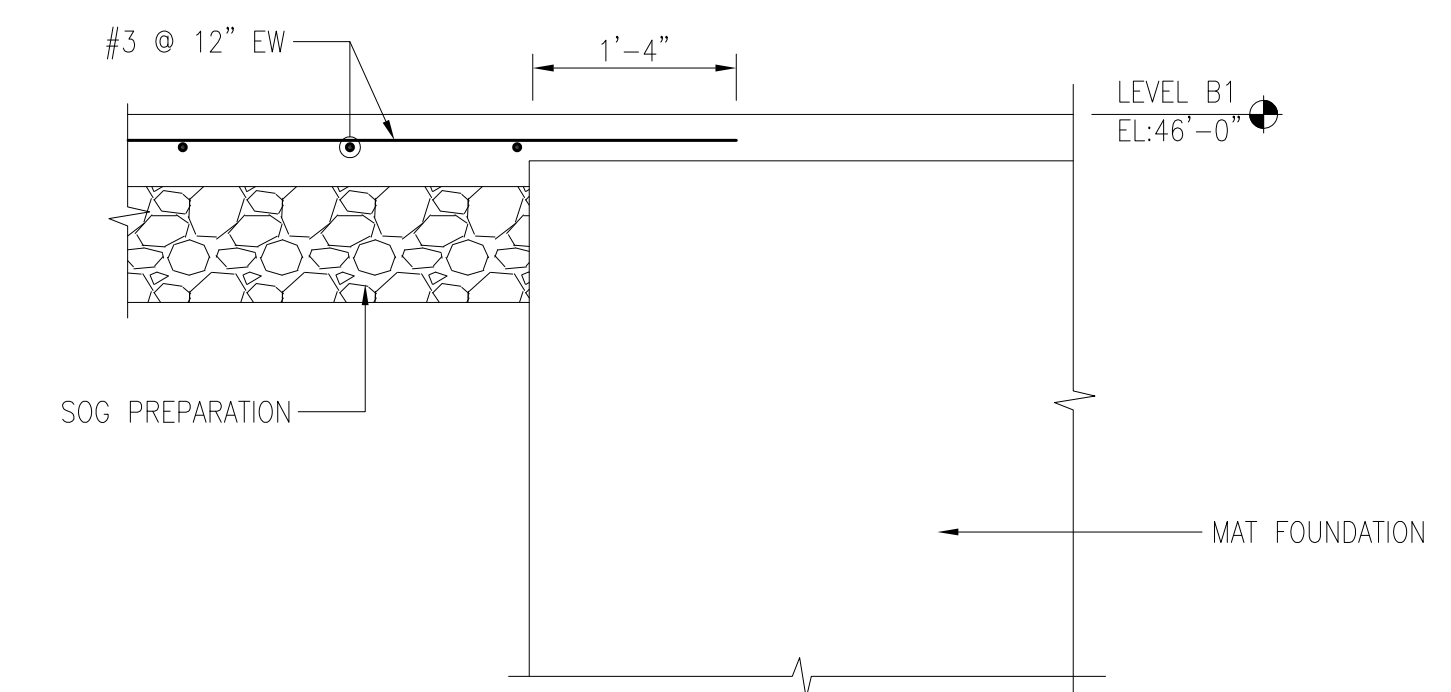
03/03/15	0	APPROVAL	03/03/15	APPROVAL
DATE	REV	DESCRIPTION	DATE	SENT FOR
Rebar Lab, LLC 2304 Tulson Lane, Bowie MD 20721 Phone #240-786-6543				
PROJECT	AMEGY BANK			
LOCATION	HOUSTON, TEXAS			
ARCHITECT				
ENGINEER				
CUSTOMER				
Drawn By:	ROH	Date:	03/03/15	Reviewed By:
Drawing Covers:	NORTH AREA-B1 LEVEL SOG REINFORCEMENT DETAILS			Job No.:
				Drawing no.:
				R139



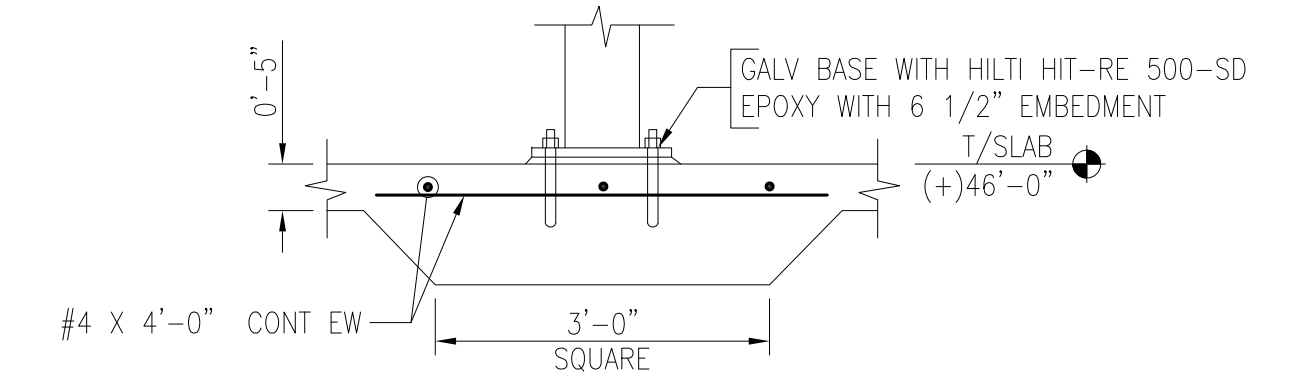
TYPICAL DETAIL FOR CJ  
REF: 8/S4.11 (01/02/15)



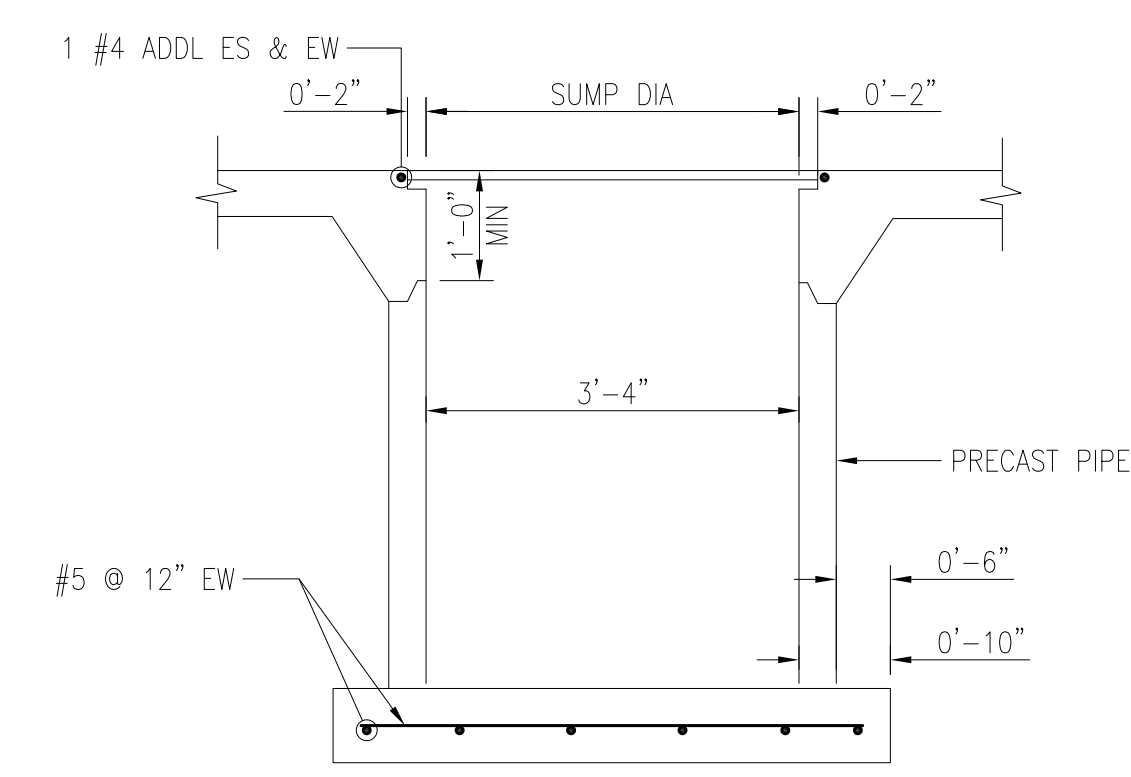
TYPICAL SOG BLOCKOUT  
REF: 11/S4.11 (01/02/15)



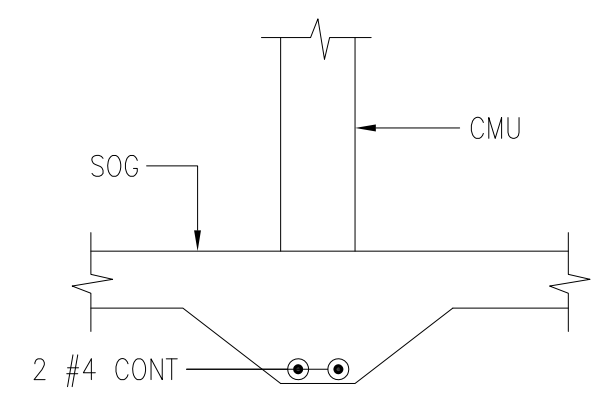
SECTION-12  
REF: 12/S4.11 (01/02/15)



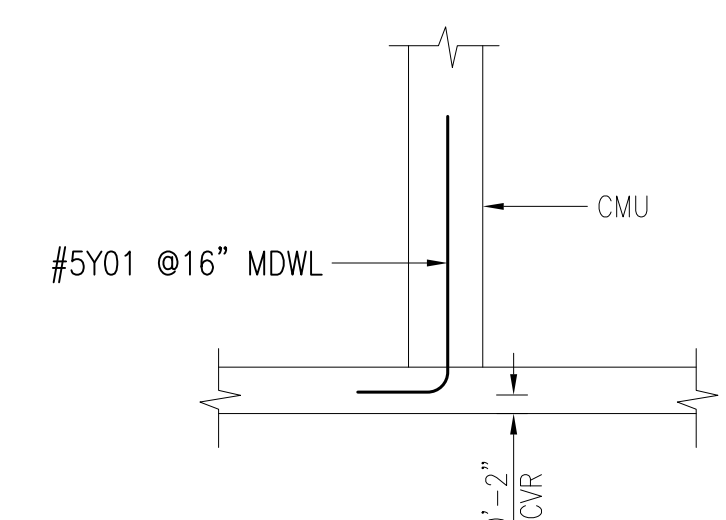
TYP BOLLARD CONNECTION  
TO CONCRETE SLAB-ON GRADE  
REF: 13/S4.34 (02/06/15)



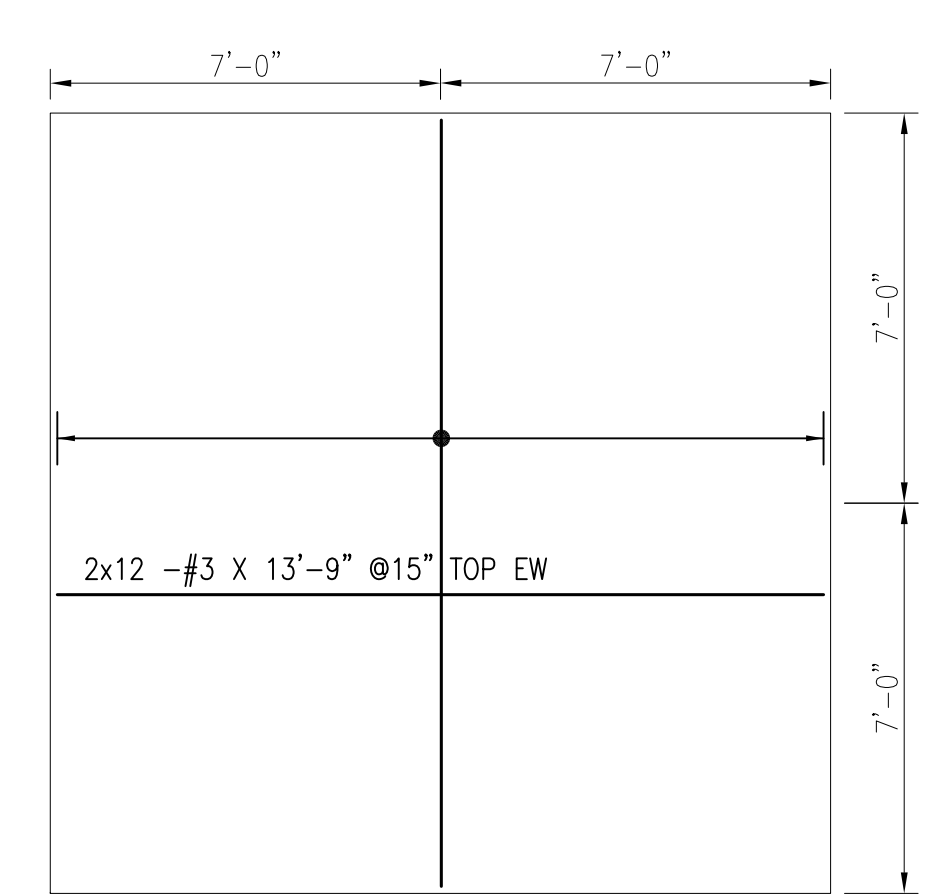
TYP PRECAST SUMP PIT  
REF: 11/S4.12 (12/05/14)



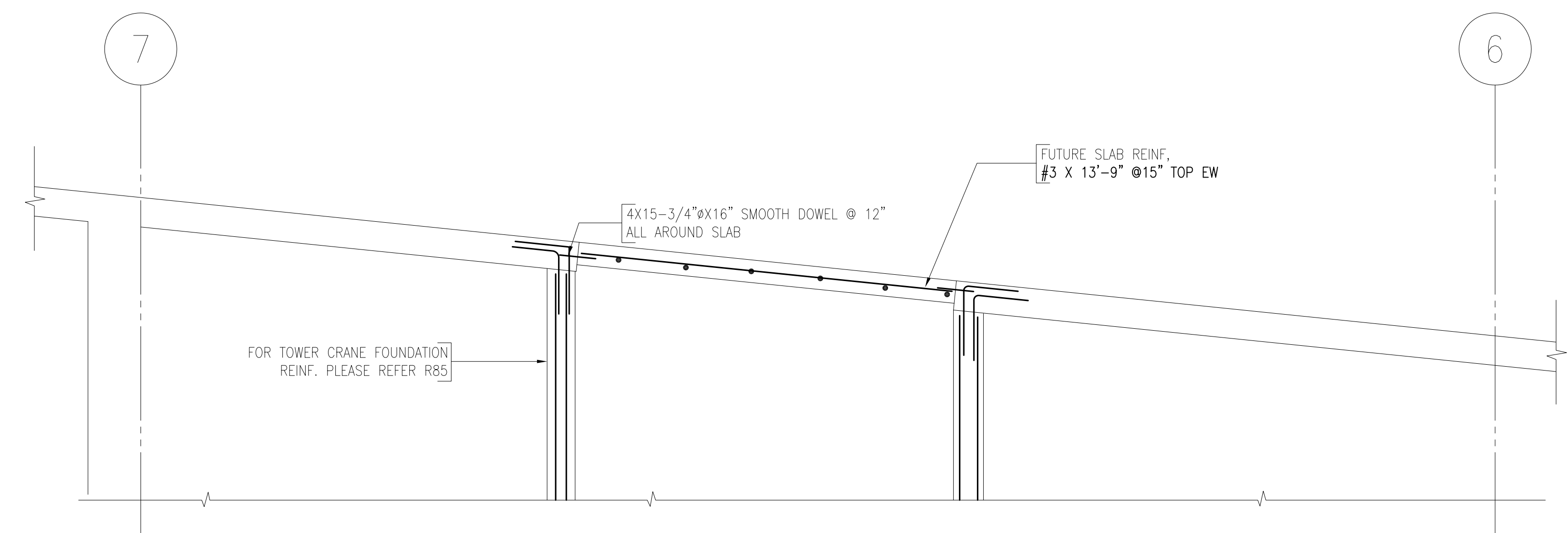
TYPICAL INTERIOR SOG  
REF: 10/S4.11 (01/02/15)



TYPICAL CMU DWL  
REF: 9/S4.70 (01/02/15)



LVL 1 NORTH PARTIAL PLAN AT CRANE #2 OPENING  
REF: CR-S3.01N (03/26/15)



SECTION-1  
FUTURE SLAB AT CRANE #2 OPENING IN LVL 1 FLOOR  
REF: CR/S5.33 (03/26/15)

REFERENCE DWG.  
REINFORCING BARS ARE  
ASTM A615 GRADE 60, UNCOATED U.N.O.

Legend:  
IF Inside Face  
OF Outside Face  
NF Near Face  
FF Far Face  
EF Each Face

V Vertical  
H Horizontal  
EW Each Way  
B/Bot Bottom  
T Top  
SB Support Bars

REINFORCING STEEL PLACING DRAWINGS MUST ONLY BE USED IN CONJUNCTION WITH PROJECT CONTRACT DRAWINGS & SPECIFICATIONS. ELEVATIONS & DIMENSIONS SHOWN ON THIS DRAWING ARE FOR DETAILING PURPOSES ONLY AND SHOULD NOT BE USED FOR CONSTRUCTION UNLESS VERIFIED BY ENGINEER OR CONTRACTOR.

03/03/15	0	APPROVAL	03/03/15	APPROVAL
DATE	REV	DESCRIPTION	DATE	SENT FOR
Rebar Lab, LLC 2304 Tulson Lane, Bowie MD 20721 Phone #240-786-6543				
PROJECT	AMEGY BANK			
LOCATION	HOUSTON, TEXAS			
ARCHITECT				
ENGINEER				
CUSTOMER				
Drawn By:	ROH	Date:	03/03/15	Reviewed By:
				ROH
Job No.				Drawing no.
	NORTH AREA-B1 LEVEL			R140
	SOG REINFORCEMENT DETAILS			