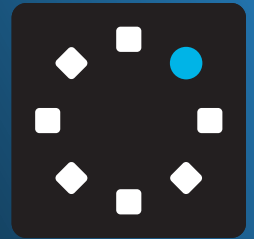


doc no. 07801

PAT TECHNOLOGY SYSTEMS

FILTRABOX



PREMIUM ENGINEERED FUME EXTRACTORS

EXPANDX

FOR:

 **omtech**

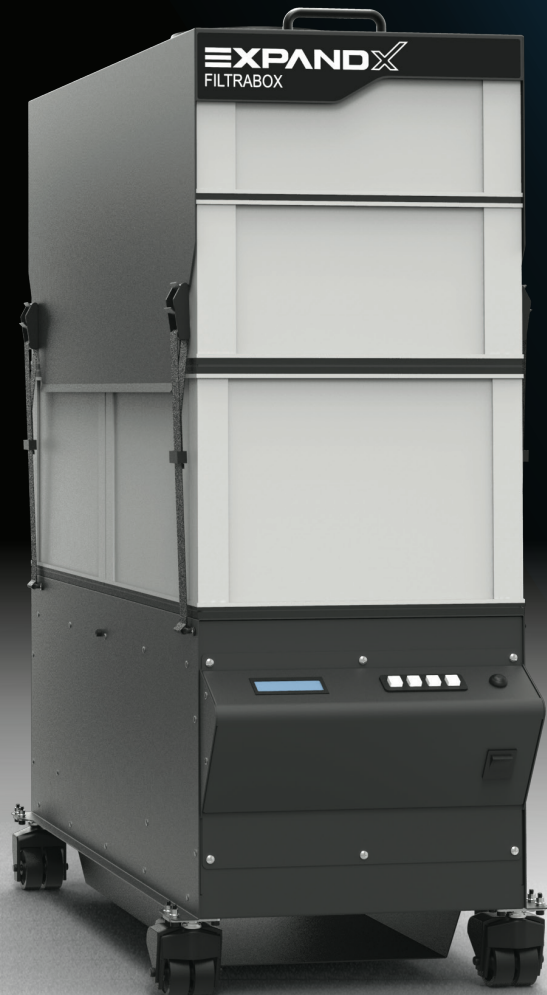
SEALED METAL CARTRIDGE FILTERS

MODULAR FOR SERVICEABILITY

MANUAL & LASER INTERFACE

INTELLIGENT FLOW CONTROL

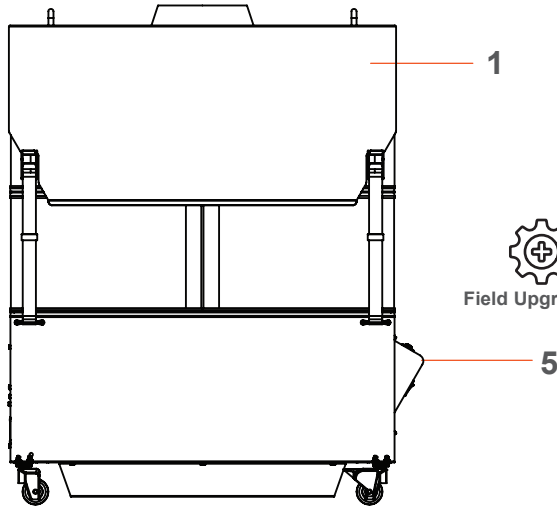
LOW OPERATING COST



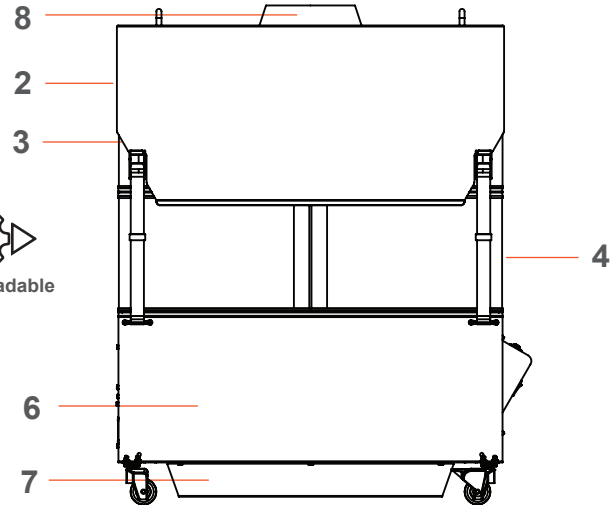
www.filtrabox.com

Specifications

Expand X-1 Single Blower



Expand X-2 Dual Blower



Field Upgradable

Technical Specification		
Quiet Operation	50 dB	
Max. Airflow	235 CFM	
Height	38 in.	
Width	15 in.	
Depth	31 in.	
Warranty	1 year	
Included Filters		
Type	Material	Total Media
1 Pre-filter + 1 spare*	Glass Fiber	30 m ²
1 HEPA	Glass Fiber	15 m ²
1 Chemical Cartridge Set (pair)**	Coconut shell carbon / KMnO ₄	80 lbs.
Electrical		
Volts	230/120 V	
Frequency	50-60 Hz	
Rated Amps	6/12 A	

Technical Specification		
Quiet Operation	53 dB	
Max. Airflow	2 x 235 CFM	
Height	38 in.	
Width	15 in.	
Depth	31 in.	
Warranty	1 year	
Included Filters		
Type	Material	Total Media
1 Pre-filter + 1 spare*	Glass Fiber	30 m ²
1 HEPA	Glass Fiber	15 m ²
1 Chemical Cartridge Set (pair)**	Coconut shell carbon / KMnO ₄	80 lbs.
Electrical		
Volts	230/120 V	
Frequency	50-60 Hz	
Rated Amps	10/20 A	

*Pre-filter replacement spares are sold individually

**Chemical Cartridge Set consists of a pair of cartridges that work as a pair within the extactor
Contact us for details on hose kits.

Legend:

- 1) Lid Module 2) Rigid Aluminum Pre-Filter 3) Rigid Aluminum Hepa Filter 4) Oxy-Carbon Filter
5) Electronics Module 6) Blower Module 7) Exhaust Outlet 8) Top-Mounted Inlet

For more information please call Filtrabox™
at +1 514-840-9696 (ext. 101)
or +1 877-582-7929 (International)