

doc no. 07901

PAT TECHNOLOGY SYSTEMS

FILTRABOX



PREMIUM ENGINEERED FUME EXTRACTORS

EXPAND X3

FOR:

 **omtech**

MODULAR FOR SERVICEABILITY

MANUAL & LASER INTERFACE

INTELLIGENT FLOW CONTROL

LOW OPERATING COST

MAXIMUM CAPACITY

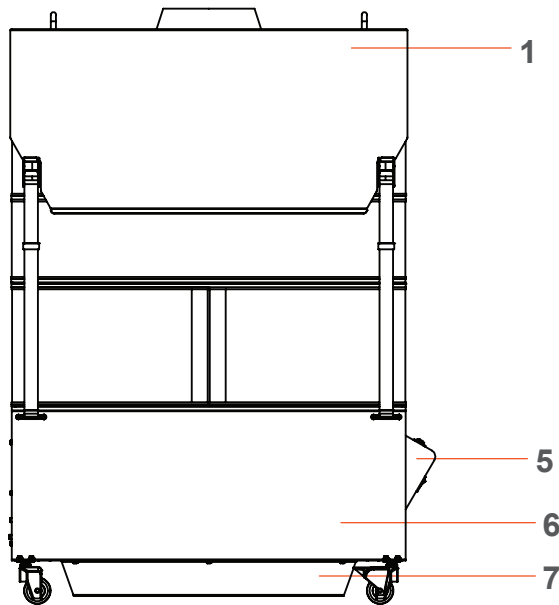


www.filtrabox.com

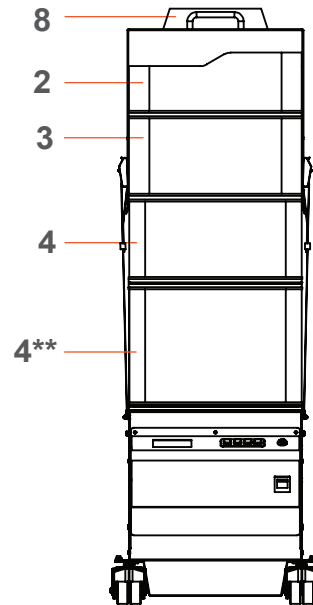
Specifications

Expand X-3

Triple Blower



SIDE VIEW



FRONT VIEW

Technical Specification		
Quiet Operation	53 dB	
Max. Airflow	3x 235 CFM	
Height	44 in.	
Width	15 in.	
Depth	31 in.	
Warranty	1 year	
Included Filters		
Type	Material	Total Media
1 Pre-filter + 1 spare*	Glass Fiber	30 m ²
1 HEPA	Glass Fiber	15 m ²
1 Chemical Cartridge Set**	Coconut shell carbon / KMnO ₄	115 lbs.
Electrical		
Volts	230 V	
Frequency	50-60 Hz	
Rated Amps	18 A	

*Pre-filter replacement spares are sold individually

**Chemical Cartridge Set consists of a pair of cartridges that work as a pair and an extra cartridge within the extarctor
Contact us for details on hose kits.

Legend:

1) Lid Module
5) Electronics Module

2) Rigid Aluminum Pre-Filter
6) Blower Module

3) Rigid Aluminum Hepa Filter
7) Exhaust Outlet

4) Oxy-Carbon Filter
8) Top-Mounted Inlet

For more information please call Filtrabox™
at +1 514-840-9696 (ext. 101)
or +1 877-582-7929 (International)